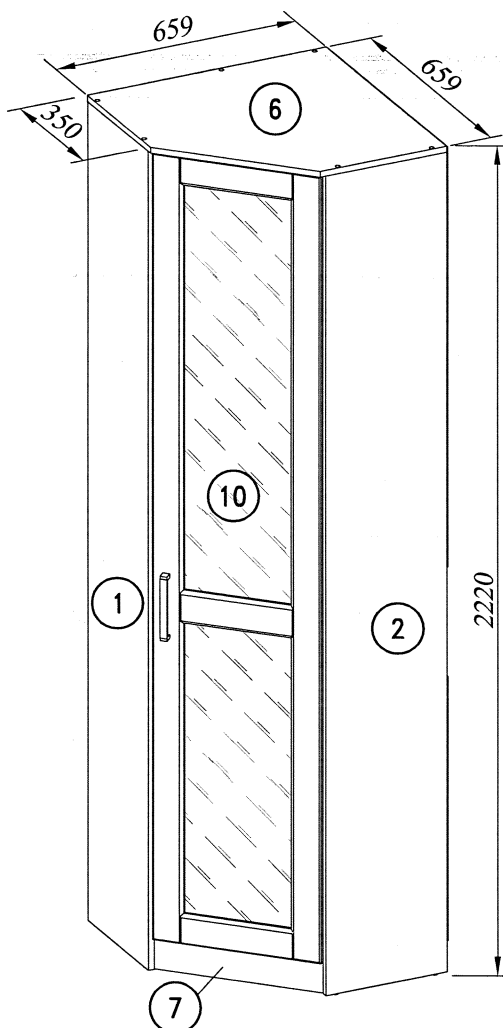
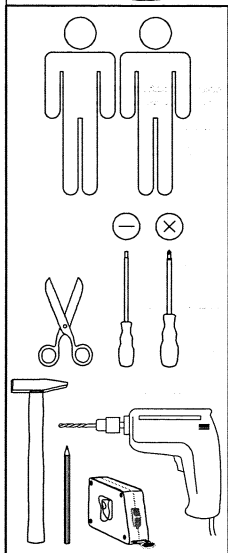
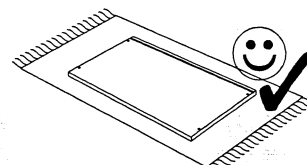
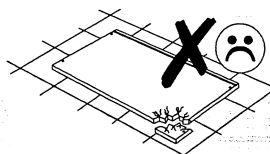
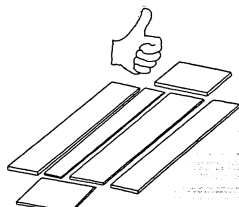
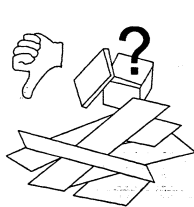
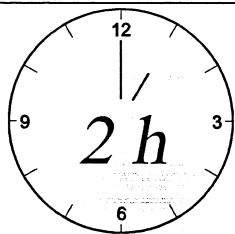
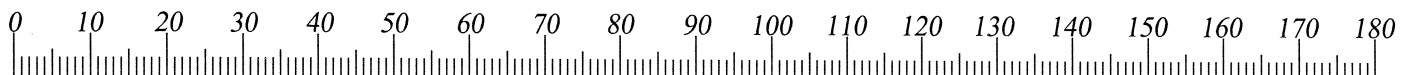


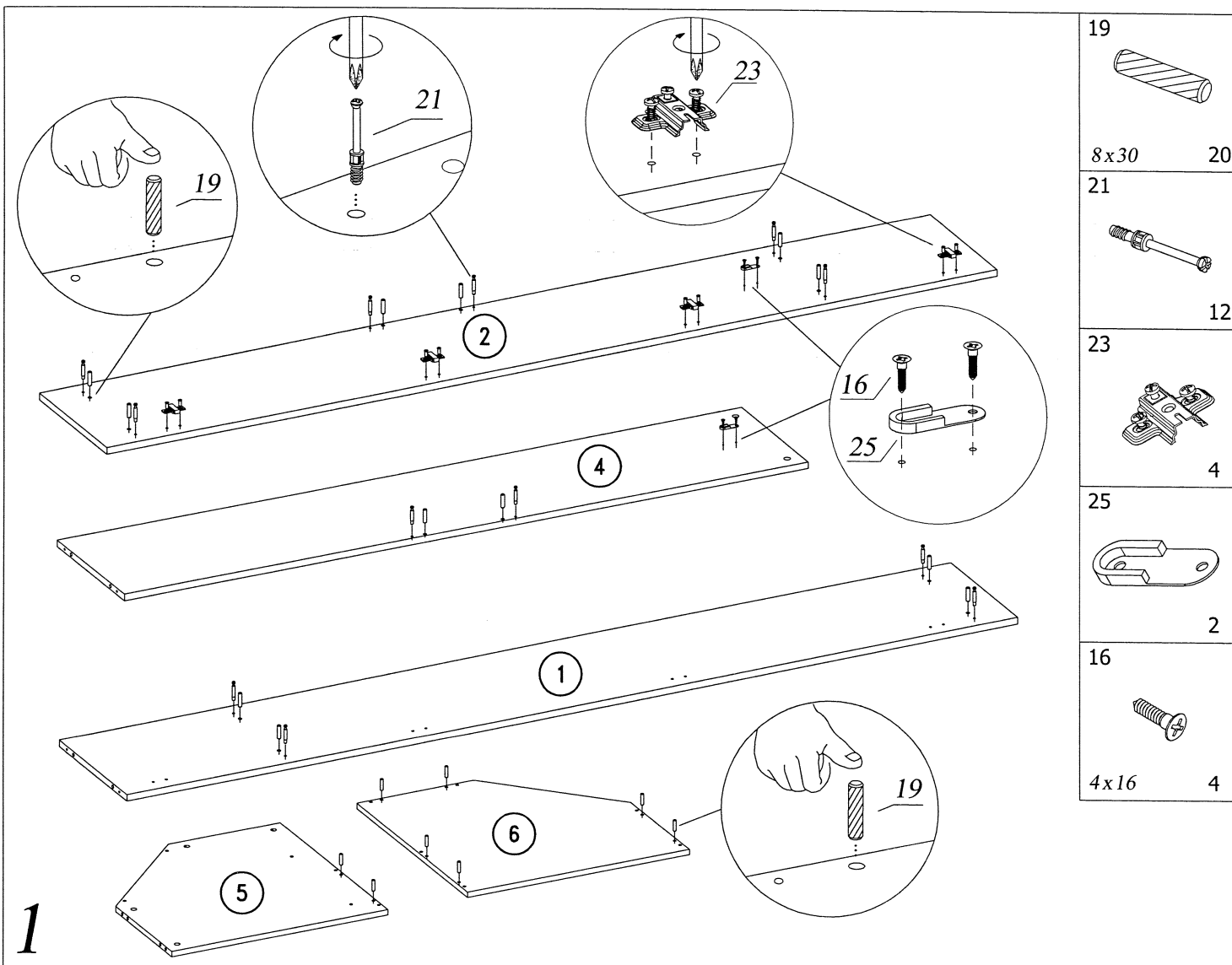
Ilona SB-2633



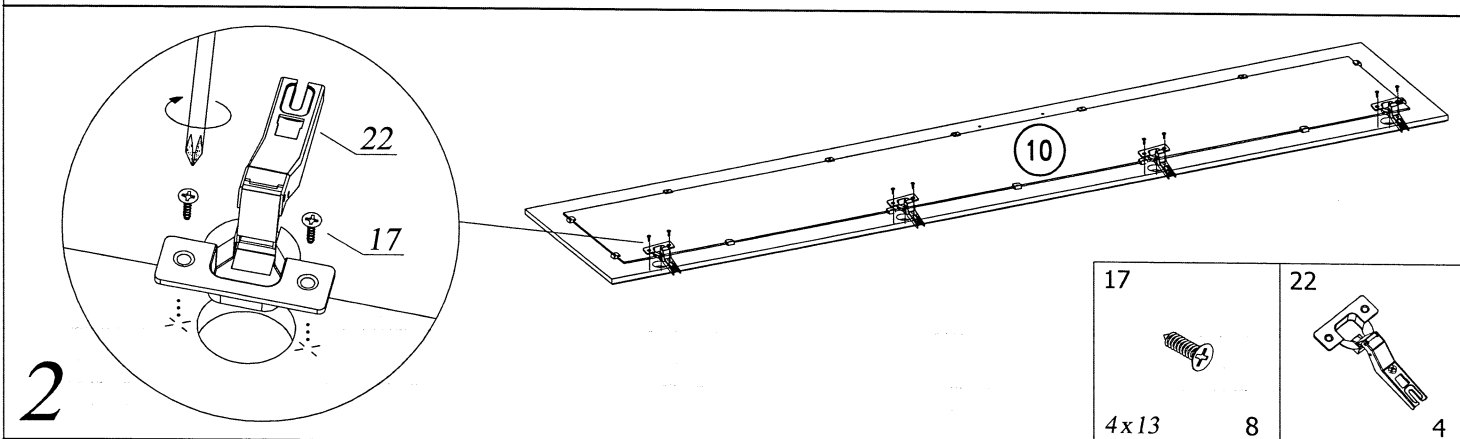
№	LxBxS, mm	Q	
1	2200x330x16	1	2
2	2200x330x16	1	2
3	400x330x16	1	2
4	1688x330x16	1	2
5	639x639x16	1	1
6	656x656x16	1	1
7	440x80x16	2	1
8	639x639x16	1	1
9	622x330x16	1	1
10	2114x436x20	1	3
11	2132x330x3	1	2
12	652x422x3	1	1
13	652x706x3	2	1

14 1.6x25 82	15 3x18 4	16 4x16 4	17 4x13 16	18 M4x22 2	19 8x30 20	
20 20 12	20-1 ∅13 12	21 21 12	21-1 21-1 16	21-2 ∅17 16	22 22 4	
23 23 1	24 8x84 2	25 25 2	26 L=616 1	27 27 4	28 28 6	29 29 1

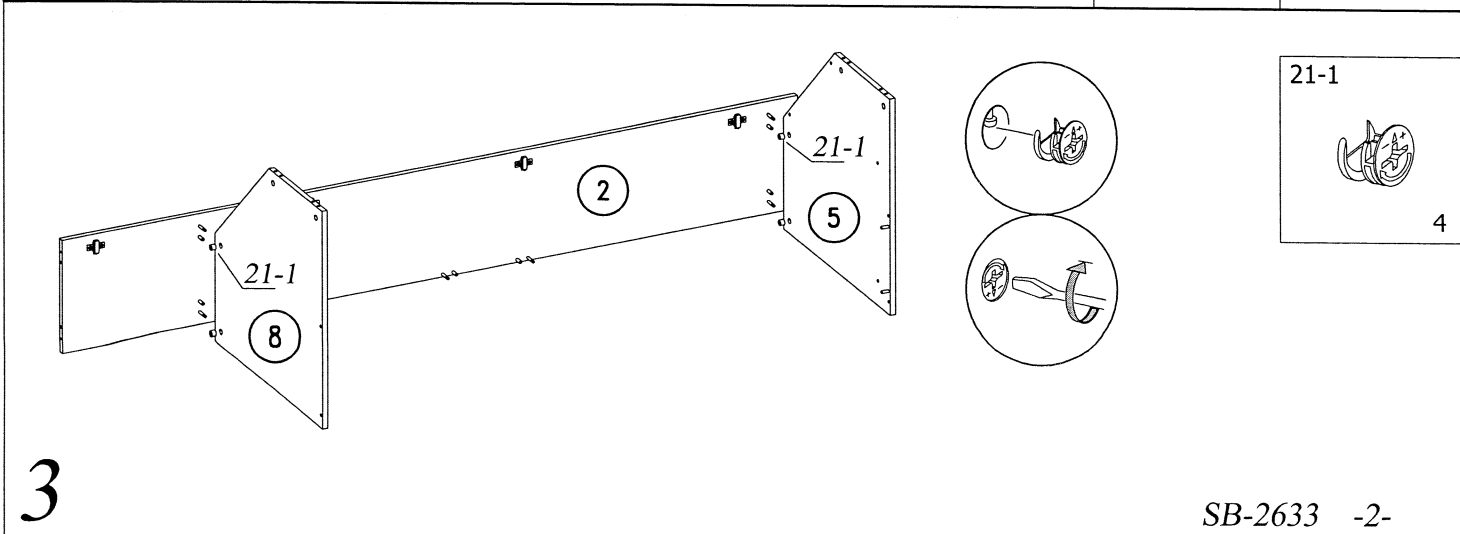




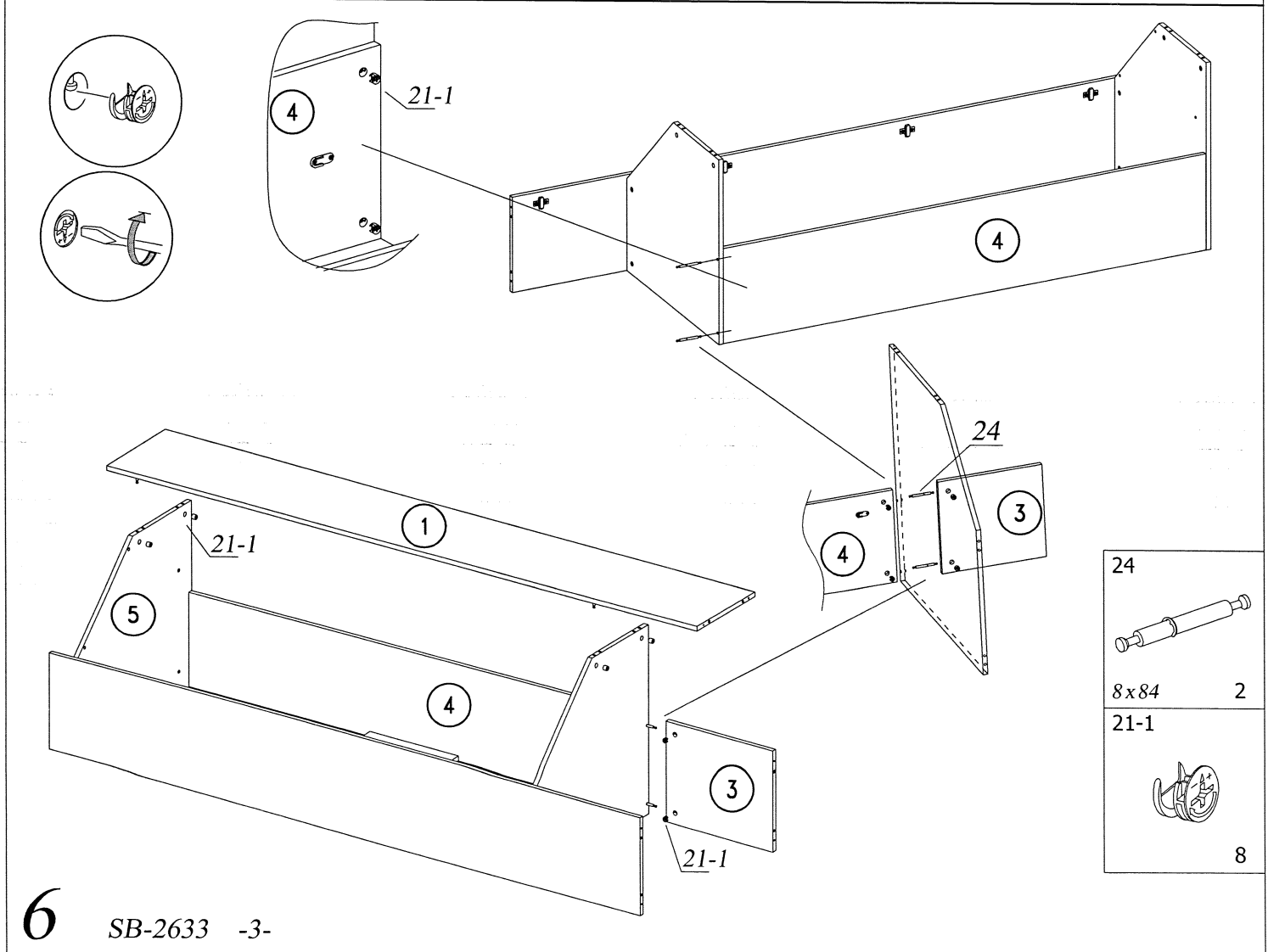
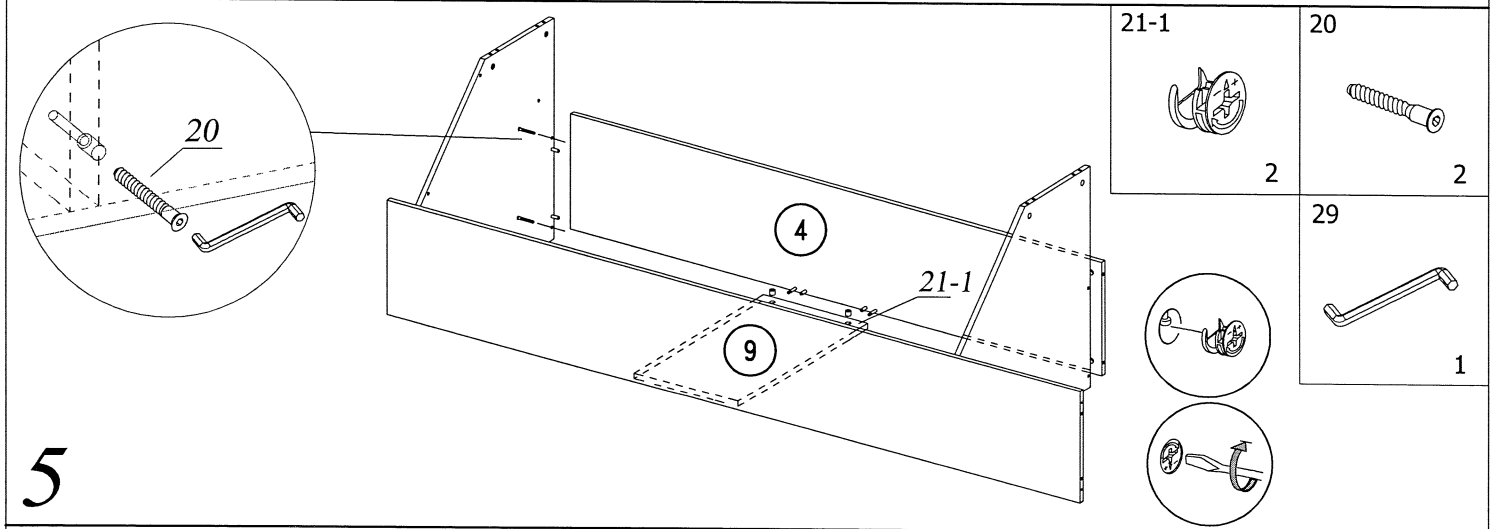
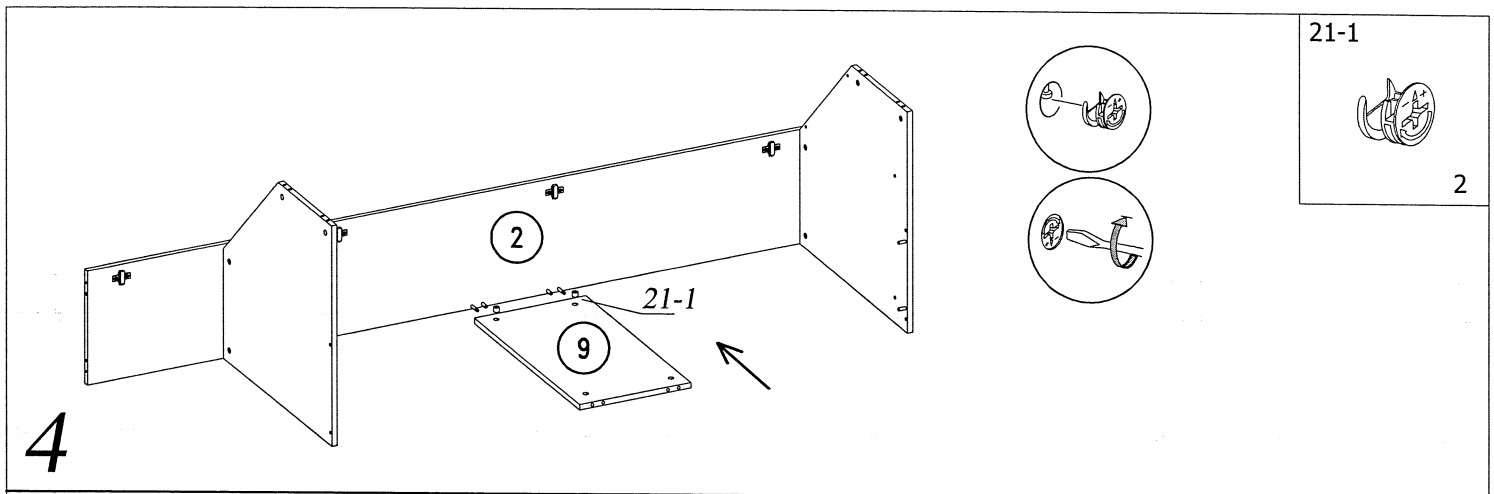
19		
8x30		20
21		
		12
23		
		4
25		
		2
16		
4x16		4

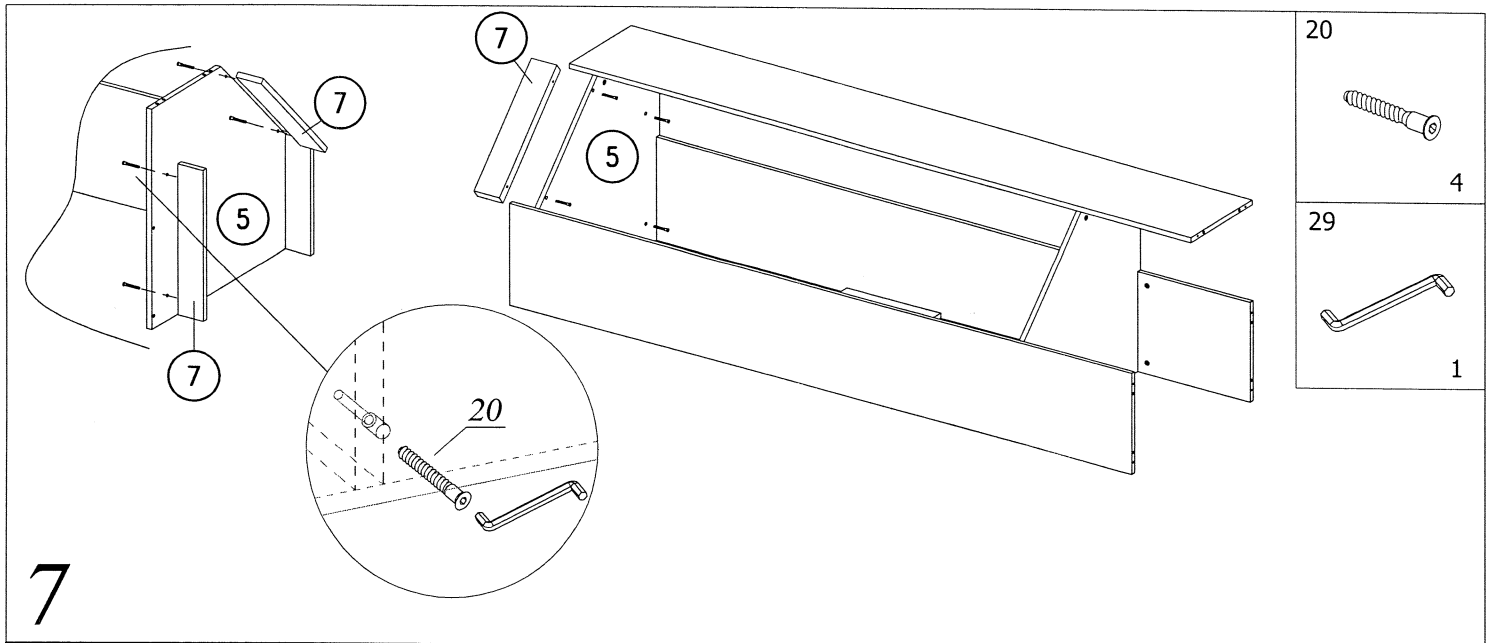


17		
4x13		8
22		
		4

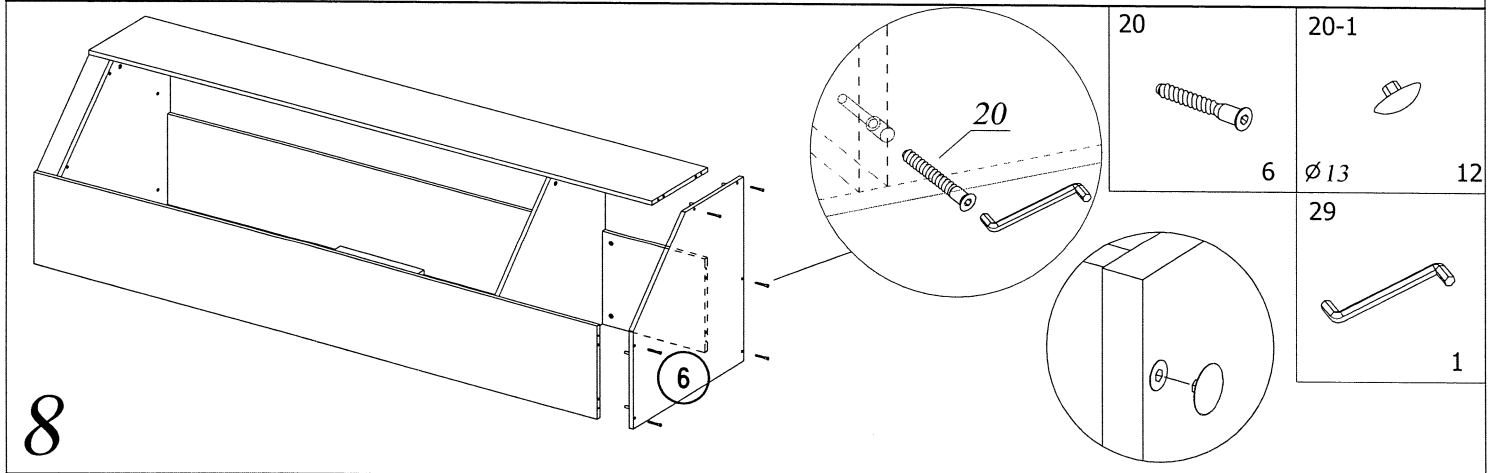


21-1		
		4

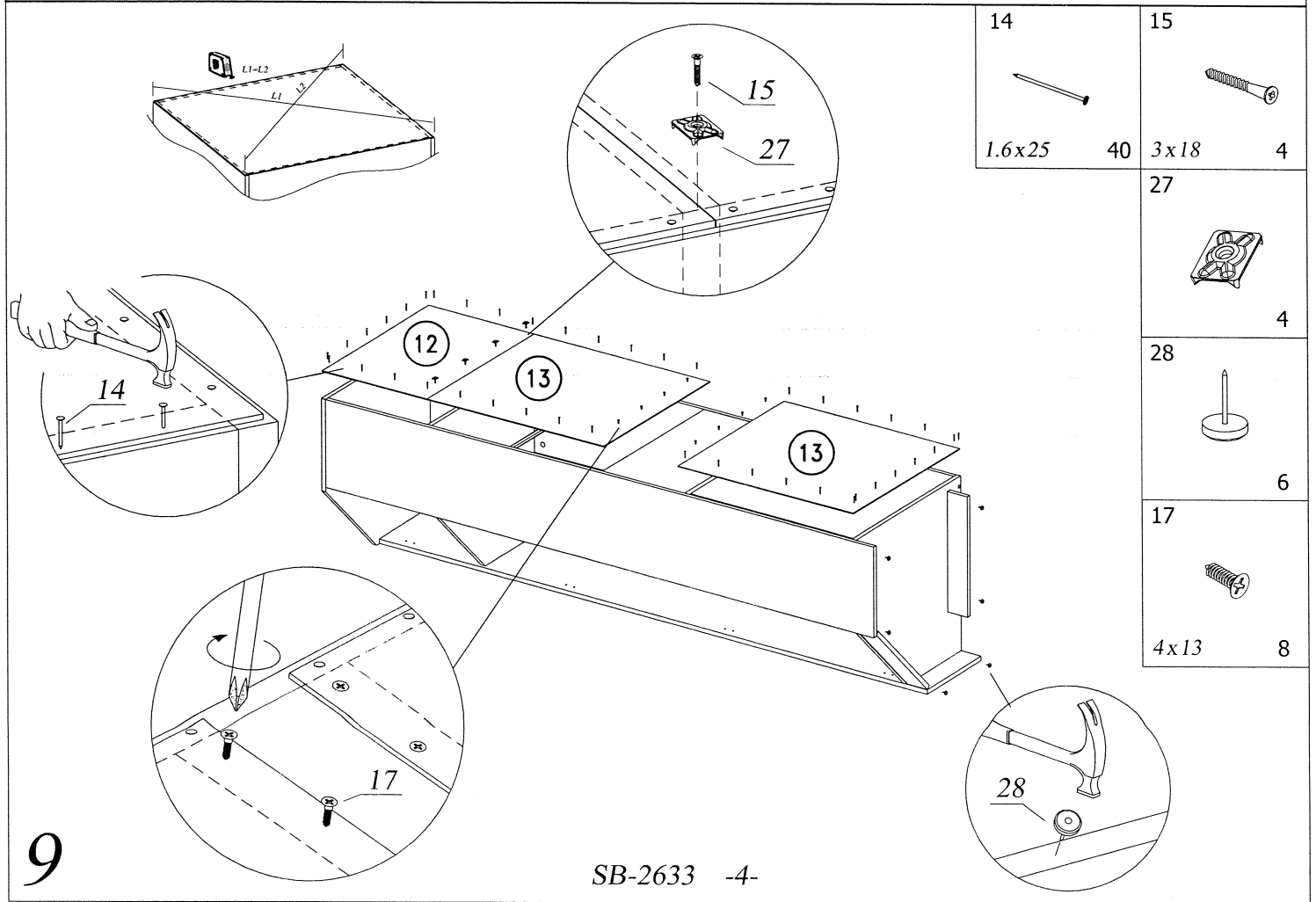




- | | | |
|----|--|---|
| 20 | | 4 |
| 29 | | 1 |

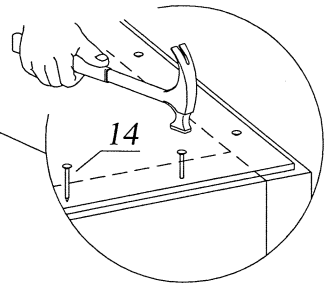
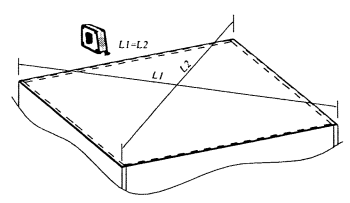
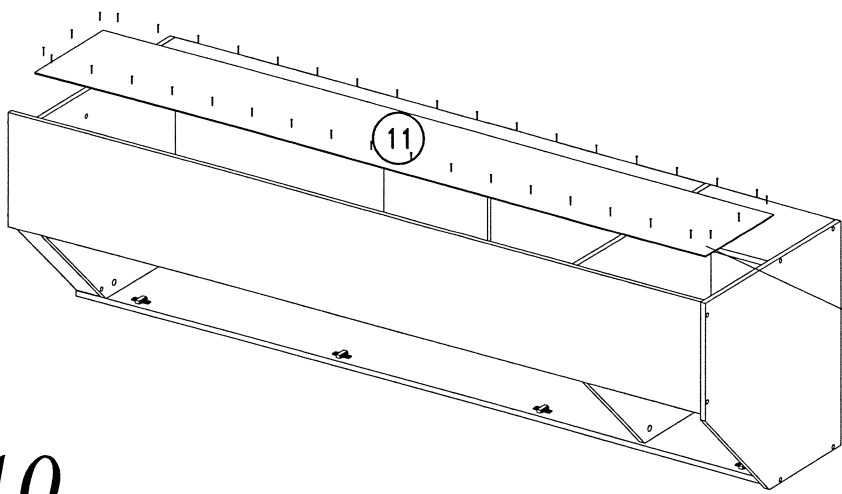


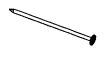
- | | | |
|------|--|----|
| 20 | | 6 |
| 20-1 | | 12 |
| 29 | | 1 |



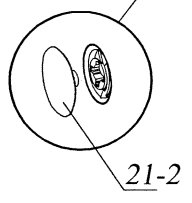
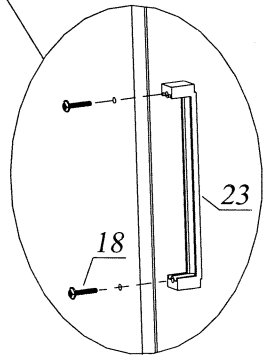
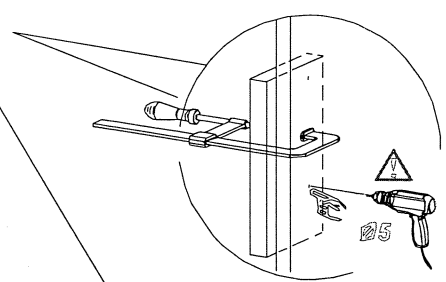
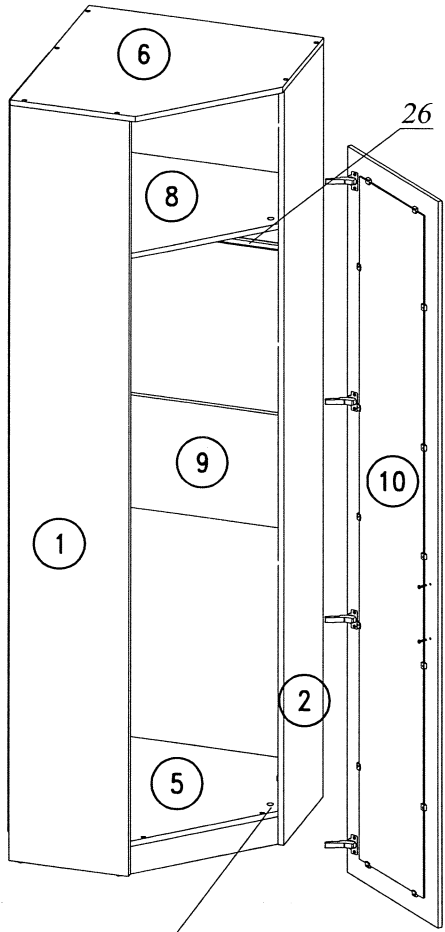
- | | | |
|----|--|----|
| 14 | | 40 |
| 15 | | 4 |
| 27 | | 4 |
| 28 | | 6 |
| 17 | | 8 |

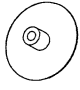


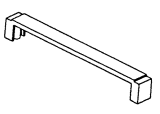
10



- | | |
|---|----|
| 14 | |
|  | |
| 1.6x25 | 42 |

11



- | | |
|---|----|
| 21-2 | |
|  | |
| Ø17 | 16 |
| 26 | |
|  | |
| L=616 | 1 |
| 18 | |
|  | |
| M4x22 | 2 |
| 23 | |
|  | |
| | 1 |

