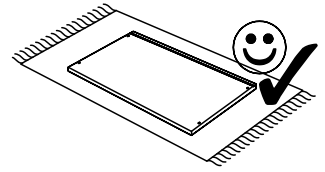
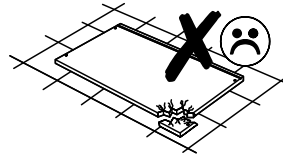
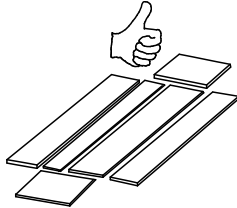
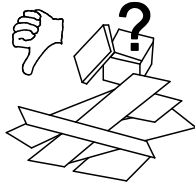
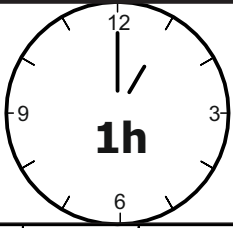
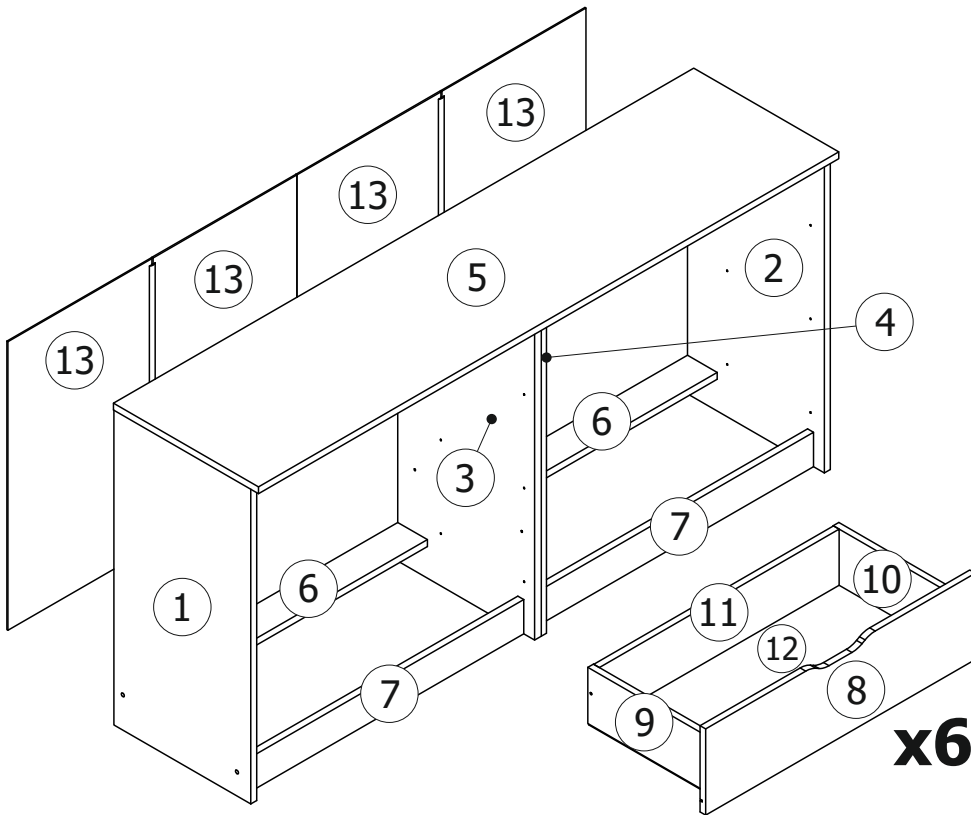
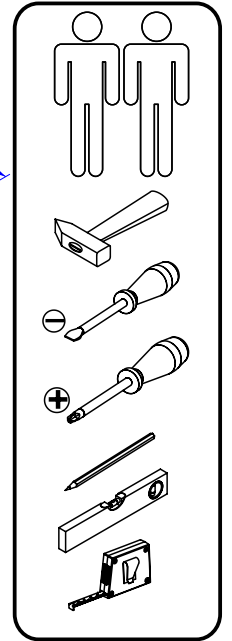
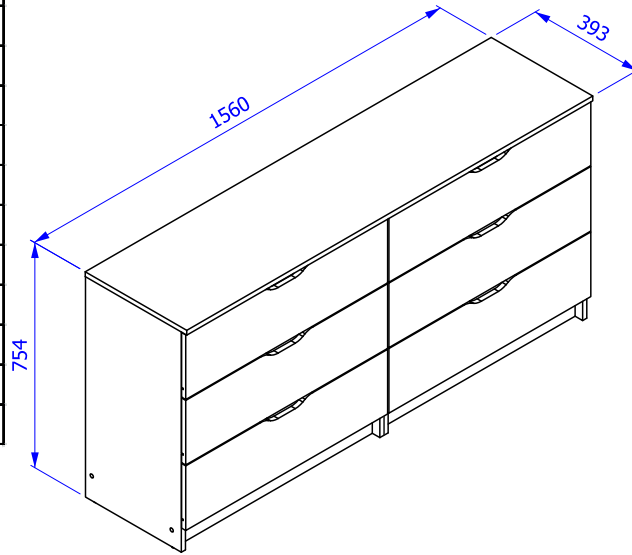


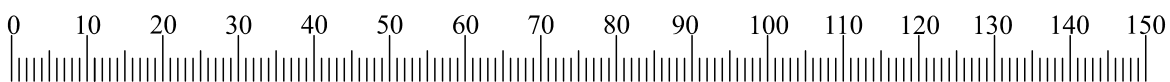
BROOKLIN SB-3252/1 / БРУКЛИН СБ-3252/1



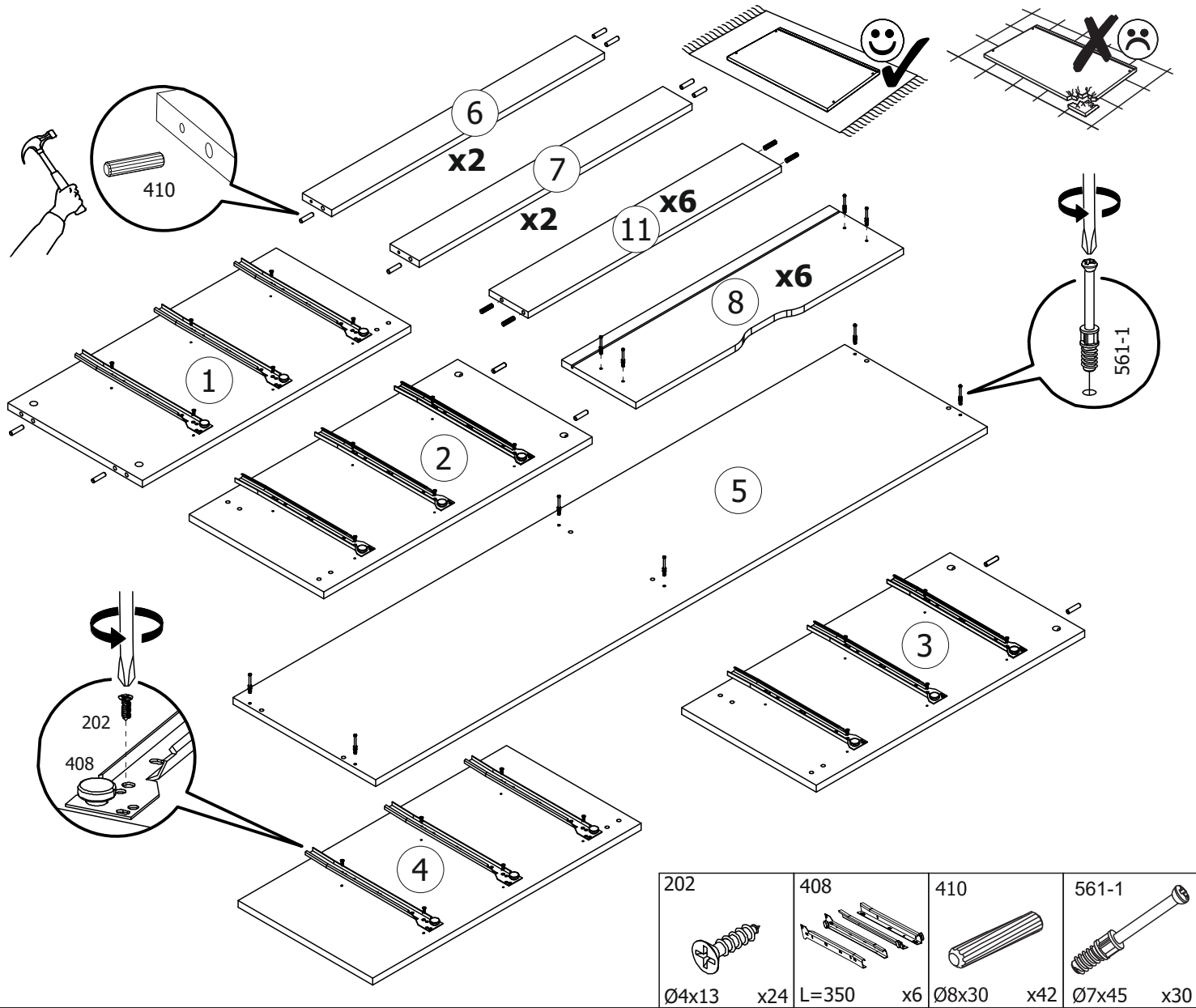
| № | L | B | S | Q | 📦 |
|----|------|-----|----|---|-----|
| 1 | 734 | 368 | 16 | 1 | 1/2 |
| 2 | 734 | 368 | 16 | 1 | 1/2 |
| 3 | 734 | 368 | 16 | 1 | 1/2 |
| 4 | 734 | 368 | 16 | 1 | 1/2 |
| 5 | 1560 | 390 | 16 | 1 | 2/2 |
| 6 | 747 | 80 | 16 | 2 | 1/2 |
| 7 | 747 | 80 | 16 | 2 | 1/2 |
| 8 | 776 | 215 | 16 | 6 | 2/2 |
| 9 | 350 | 140 | 16 | 6 | 2/2 |
| 10 | 350 | 140 | 16 | 6 | 2/2 |
| 11 | 690 | 140 | 16 | 6 | 1/2 |
| 12 | 720 | 355 | 3 | 6 | 1/2 |
| 13 | 672 | 387 | 3 | 4 | 2/2 |



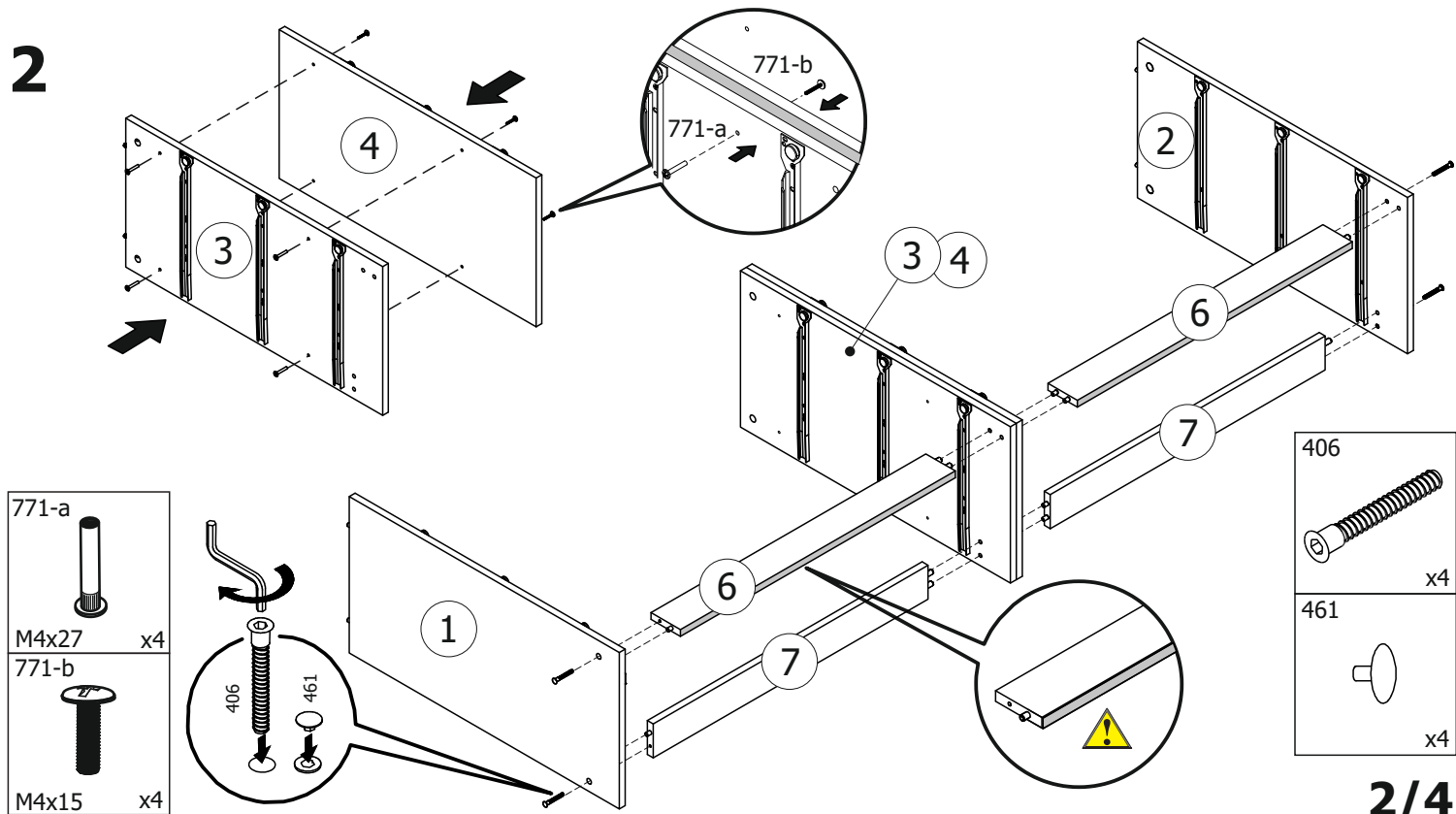
| | | | |
|----|---------|-------|-----|
| | 301 | | 410 |
| x1 | Ø1,6x25 | | 203 |
| | x90 | | 406 |
| | Ø8x30 | x42 | |
| | Ø4x35 | x12 | |
| | x4 | | 470 |
| | Ø15x12 | x30 | |
| | Ø7x45 | x30 | |
| | Ø18 | x28 | |
| | | M4x27 | x4 |
| | | M4x15 | x4 |
| | | L=642 | x2 |
| | | | x12 |
| | | L=350 | x6 |

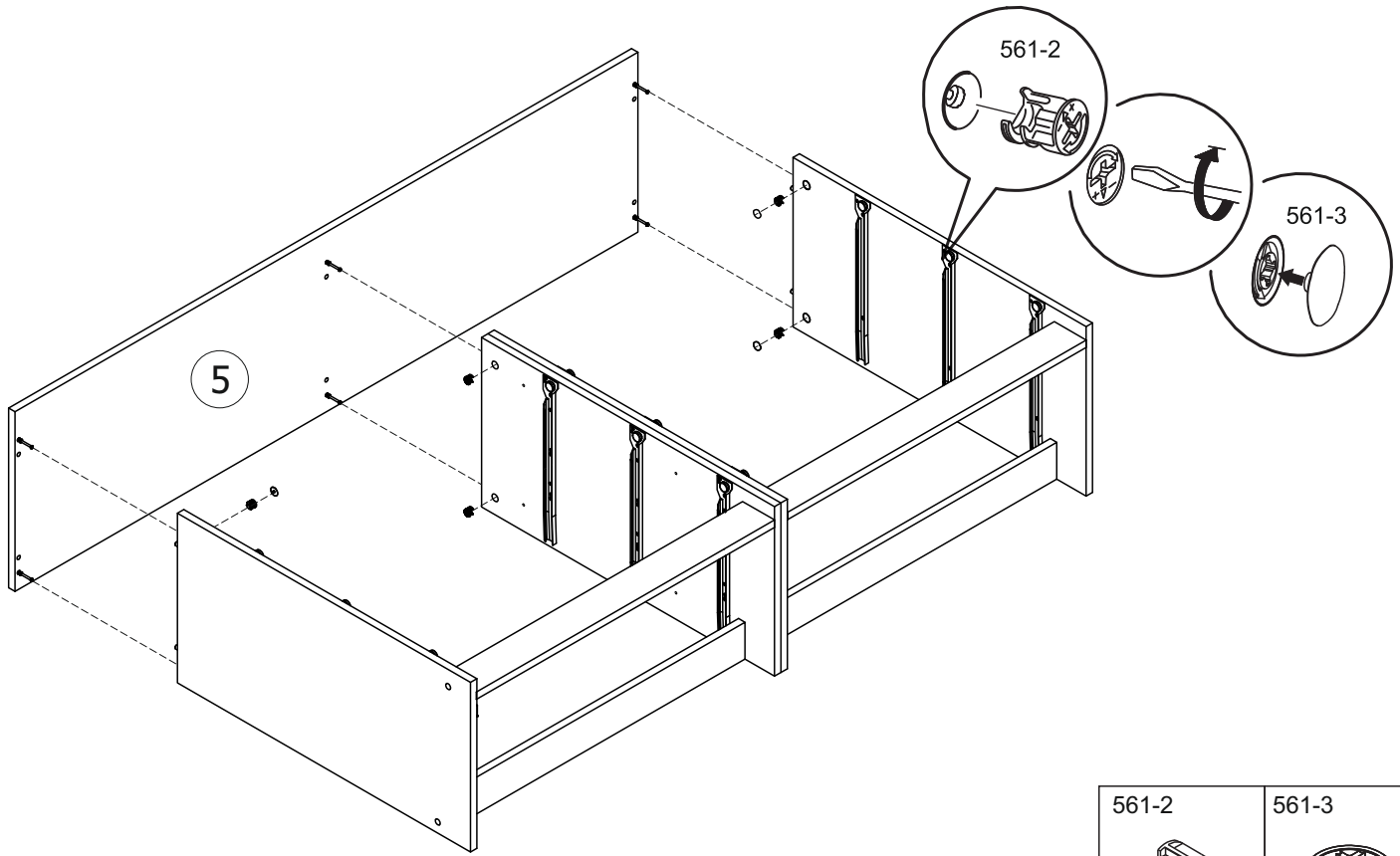


1

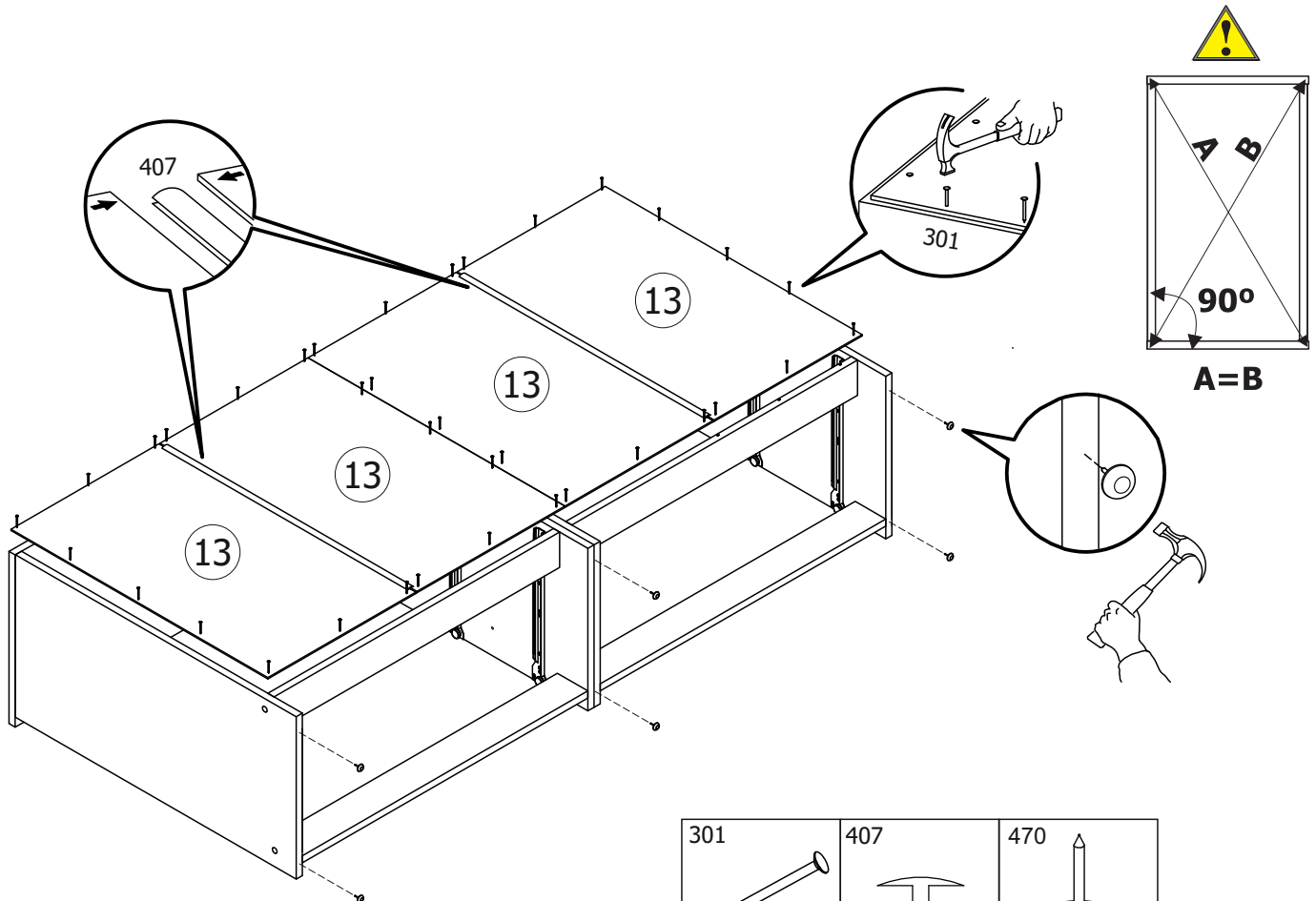


2





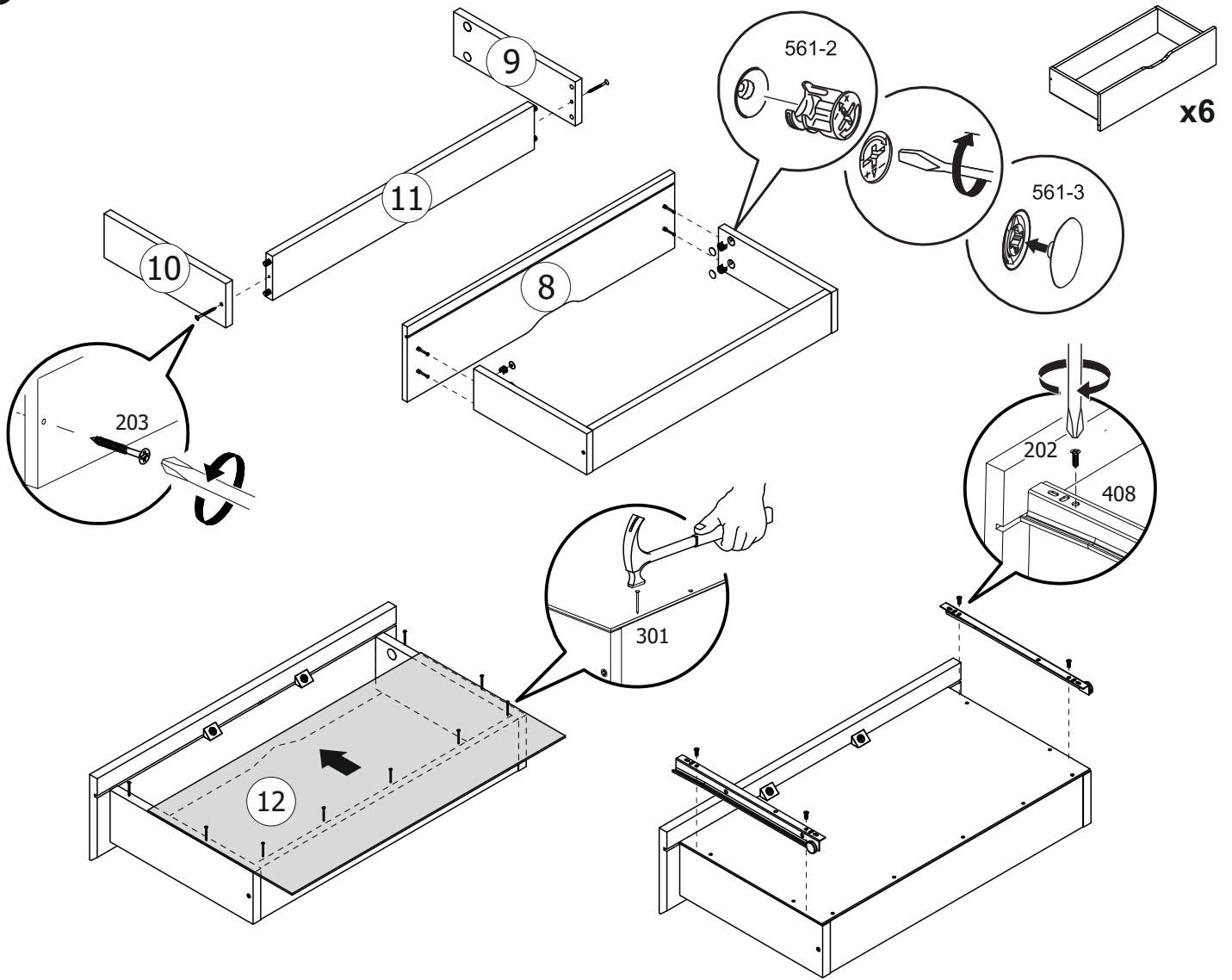
| | |
|-----------|--------|
| 561-2 | 561-3 |
| | |
| Ø15x12 x6 | Ø18 x4 |



| | | |
|-------------|----------|-----|
| 301 | 407 | 470 |
| | | |
| Ø1,6x25 x36 | L=642 x2 | x6 |

5

BROOKLIN SB-3252/1 / БРУКЛИН СБ-3252/1



| | | | | | | |
|---------------------|------------------------|-----------------|-----------------------|---------------|---------------------|---------------------|
| 203 Ø4x35 x2 | 561-2 Ø15x12 x4 | 561-3 x4 | 301 Ø1,6x25 x9 | 731 x2 | 202 Ø4x13 x4 | 408 L=350 x1 |
|---------------------|------------------------|-----------------|-----------------------|---------------|---------------------|---------------------|

6

