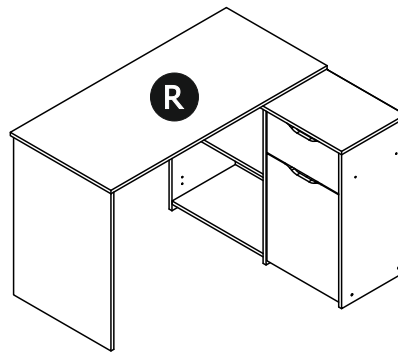
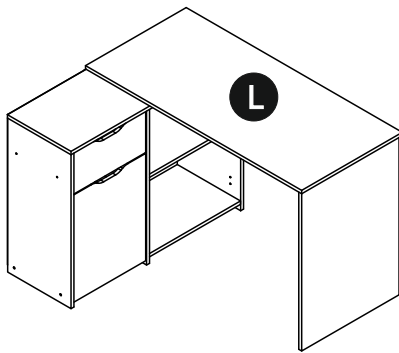
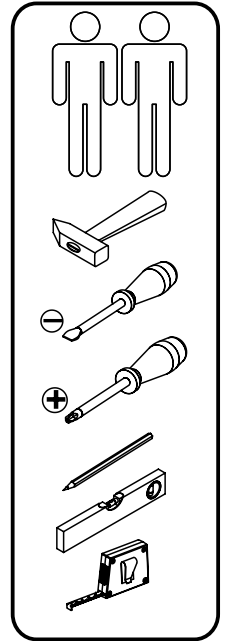
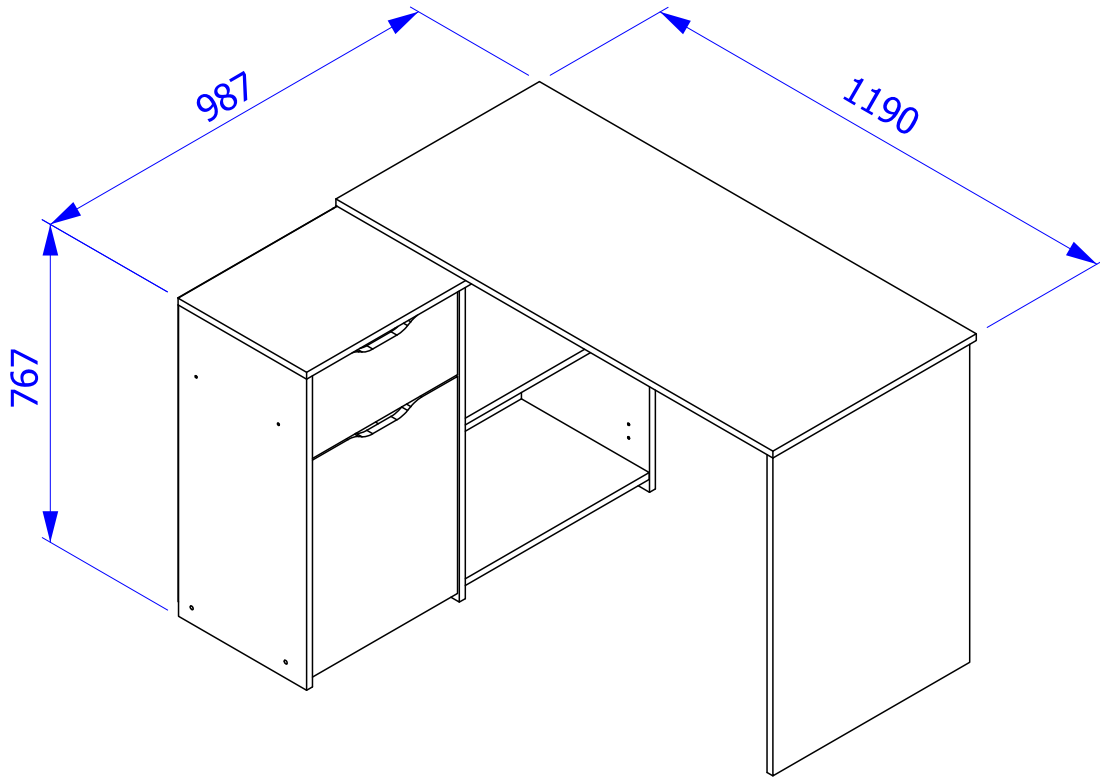
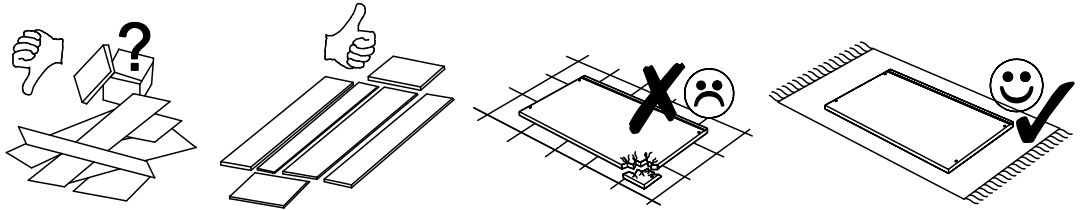
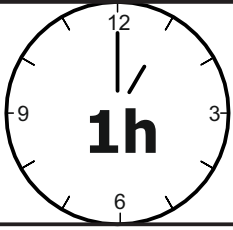
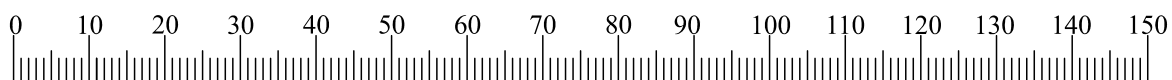
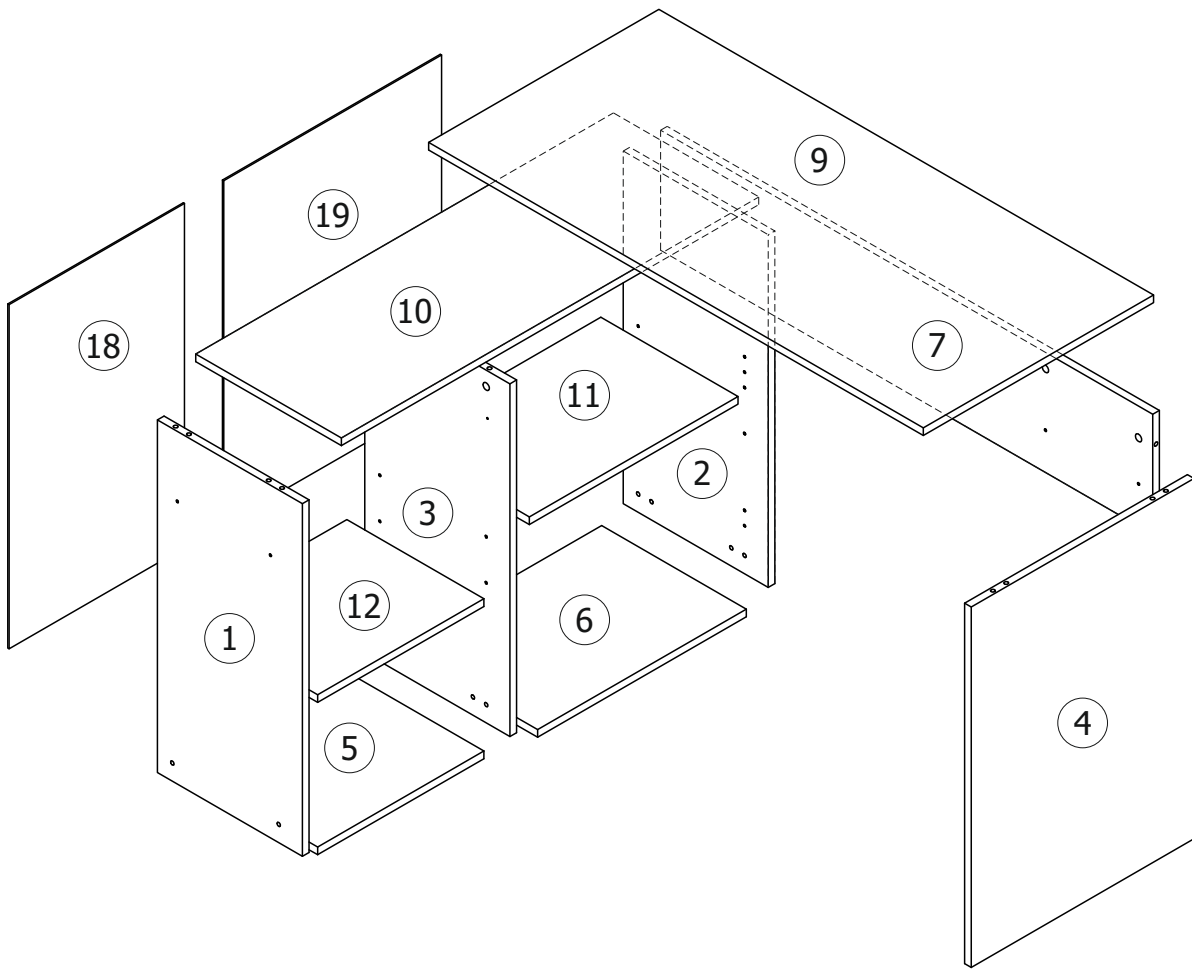


MIKA SB-3277 / MIKA CB-3277

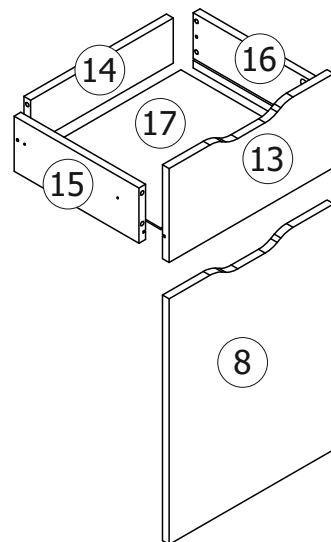


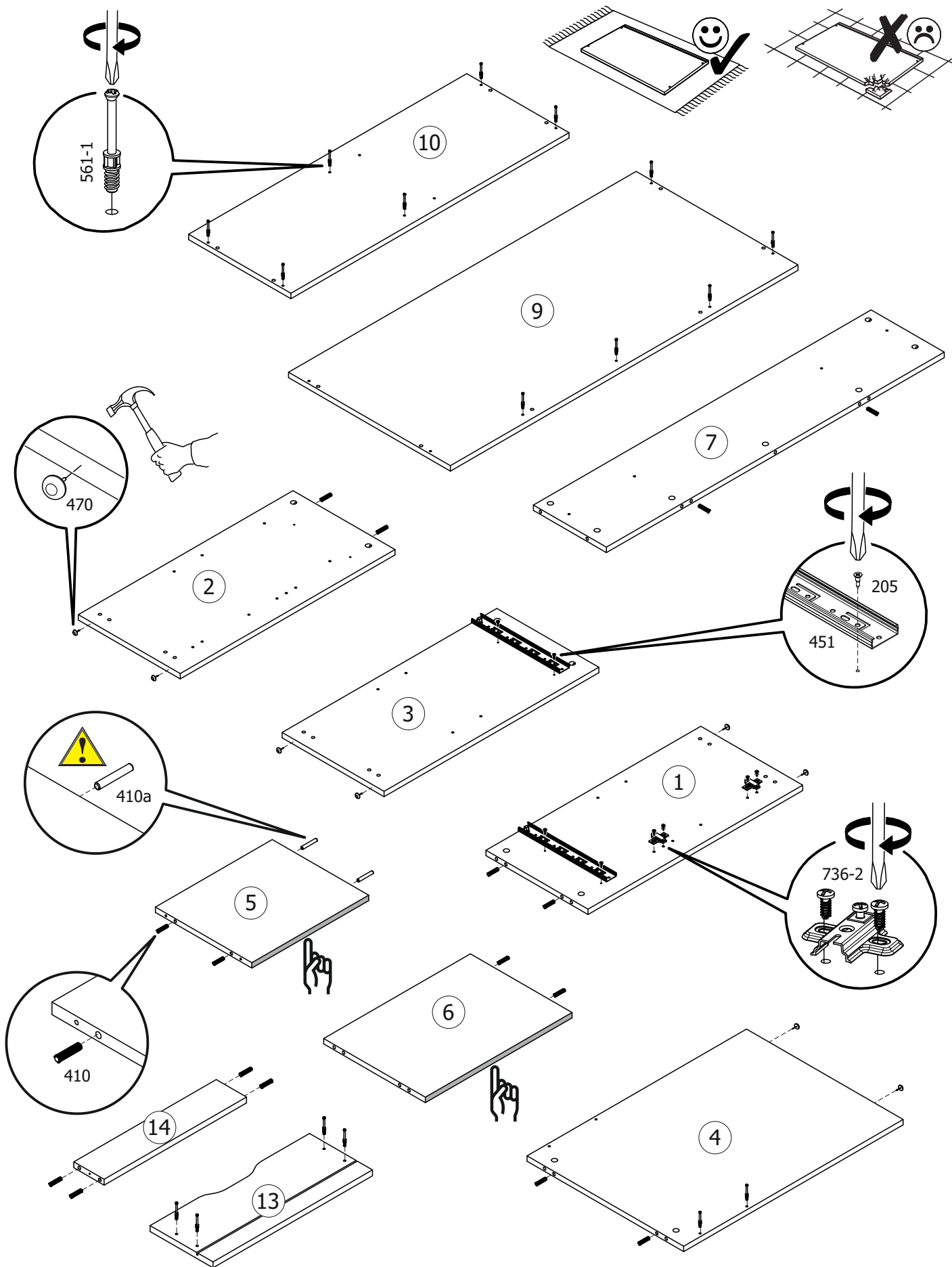
	301 x1		205 Ø4x16 x12		203 Ø4x35 x2		209 Ø4x25 x2		218 Ø3x18 x4		410 Ø8x30 x16		410a Ø8x50 x2		
	406 Ø7x50 x4		461 x4		731 x1		561-1 Ø7x45 x17		417 Ø7x84 x2		561-2 Ø15x12 x21		561-3 Ø18 x16		735 x4
	736-1 x2		736-2 x2		470 x8		415 x2		451 x1		462 Ø5x5 x14		405 x8		443 x1

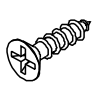
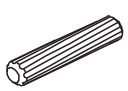

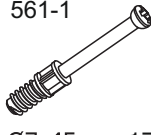
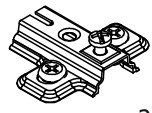
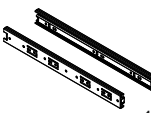
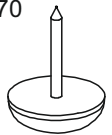




№	L	B	S	Q	
1	735	349	16	1	1/2
2	735	349	16	1	1/2
3	735	349	16	1	1/2
4	751	536	16	1	2/2
5	400	330	16	1	1/2
6	502	348	16	1	1/2
7	1156	250	16	1	1/2
8	512	396	16	1	2/2
9	1190	554	16	1	2/2
10	952	350	16	1	1/2
11	502	330	16	1	1/2
12	400	330	16	1	1/2
13	396	196	16	1	1/2
14	343	94	16	1	1/2
15	300	115	16	1	1/2
16	300	115	16	1	1/2
17	306	354	3	1	2/2
18	717	422	3	1	2/2
19	717	524	3	1	2/2

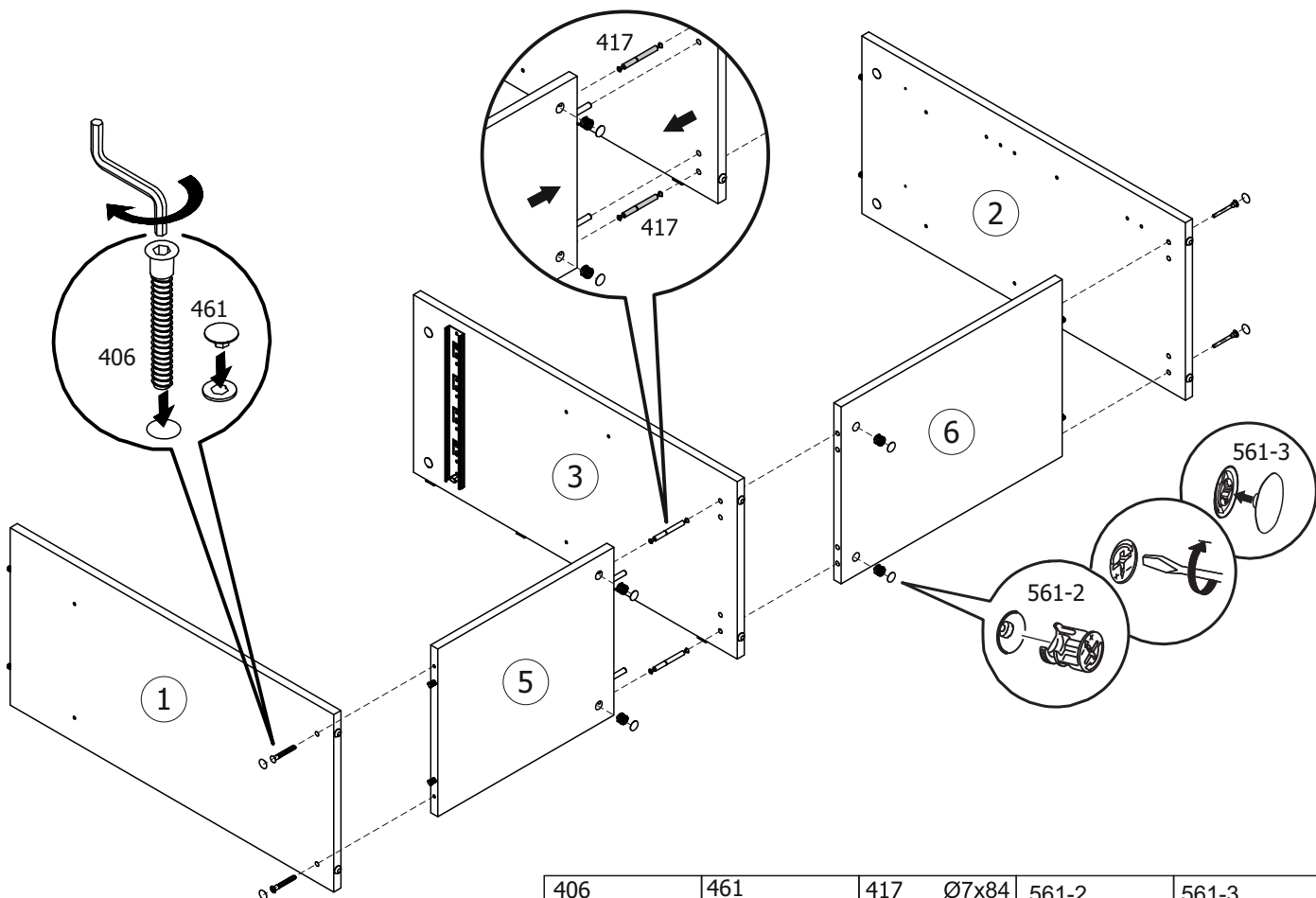




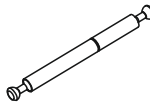




<p>205</p>  <p>Ø4x16 x4</p>	<p>410</p>  <p>Ø8x30 x16</p>	<p>410a</p>  <p>Ø8x50 x2</p>	<p>561-1</p>  <p>Ø7x45 x17</p>	<p>736-2</p>  <p>x2</p>	<p>451</p>  <p>x1</p>	<p>470</p>  <p>x8</p>
--	---	---	---	---	--	--

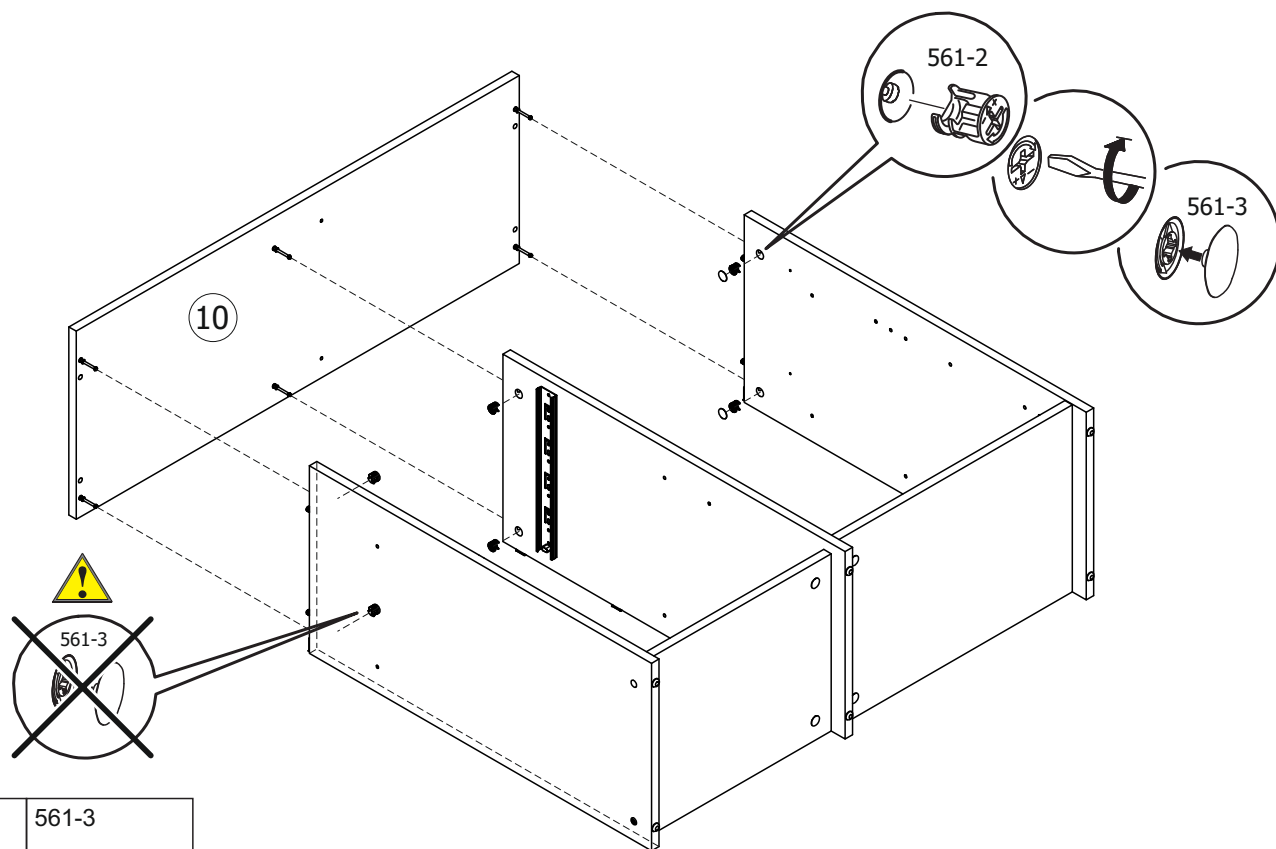
2



МИКА SB-3277 / МИКА СБ-3277

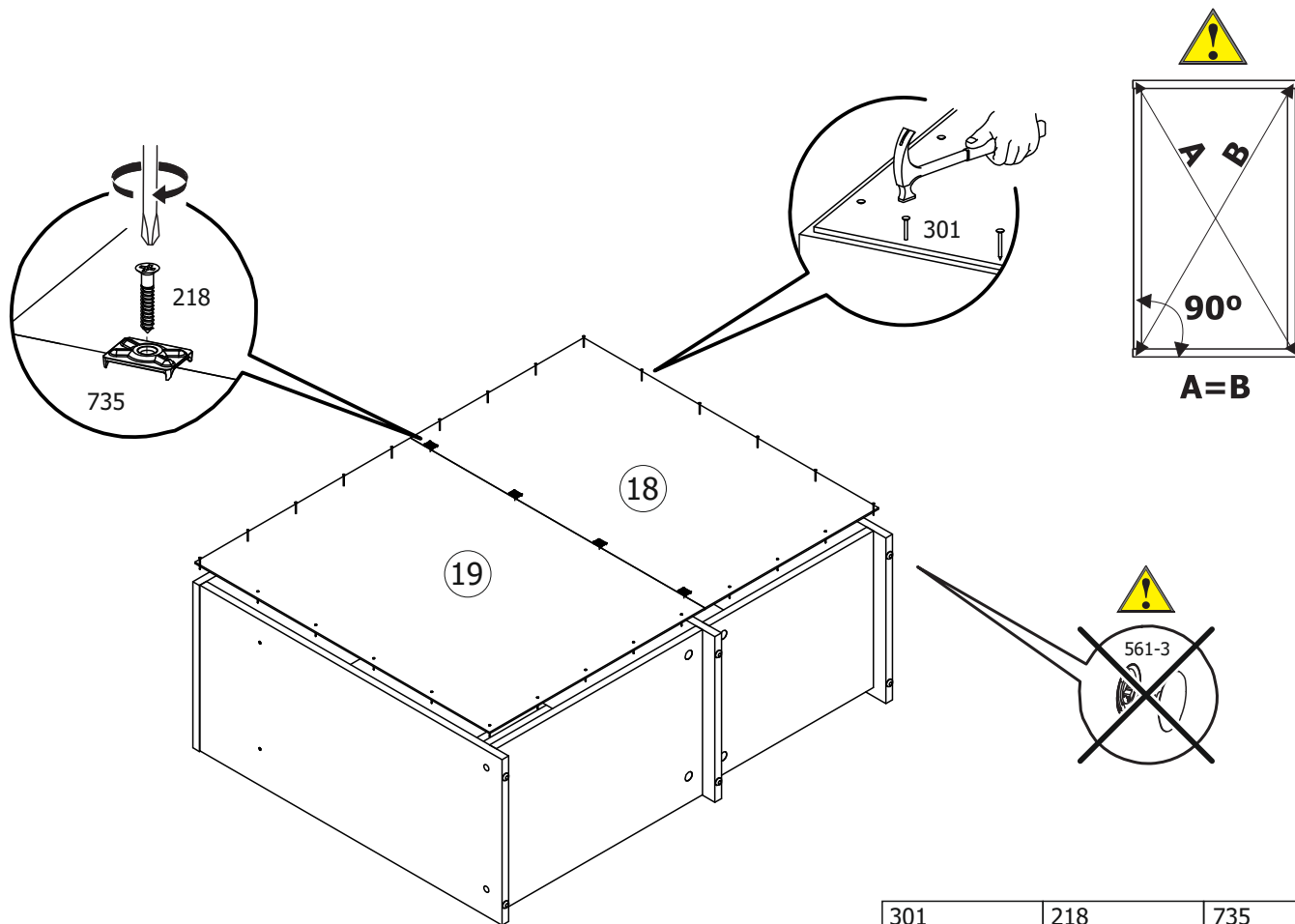


 406 Ø7x50 x4	 461 x4	 417 Ø7x84 x2	 561-2 Ø15x12 x4	 561-3 Ø18 x4
--	--	--	---	--

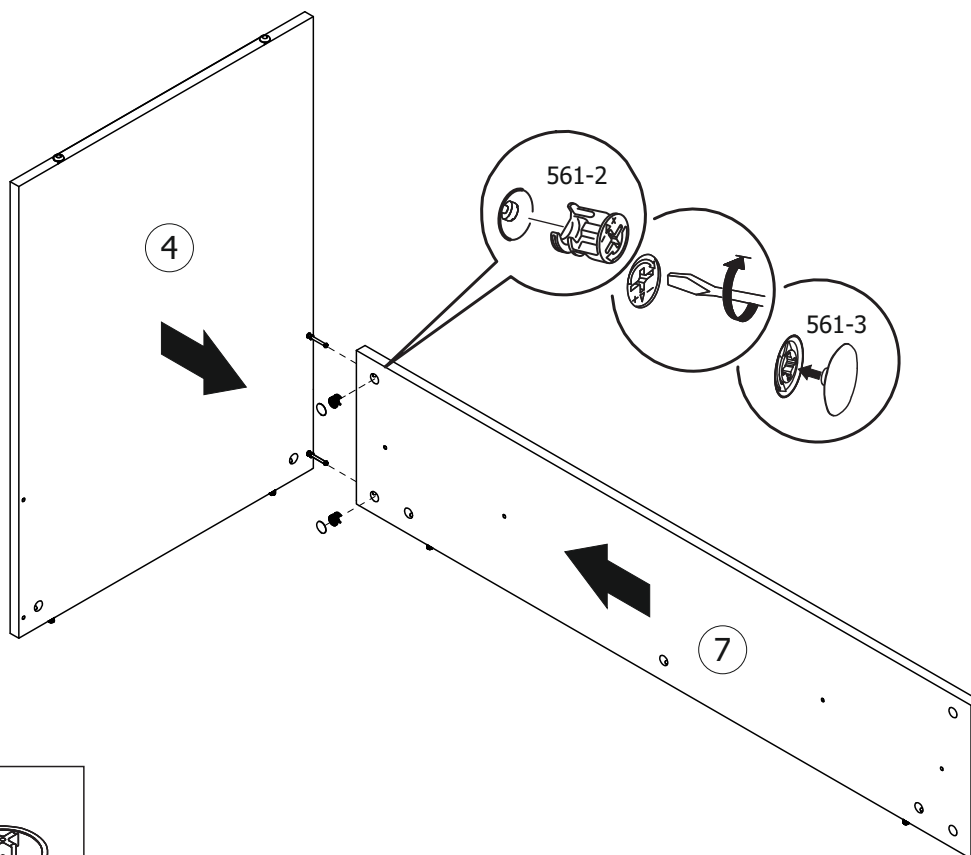
3



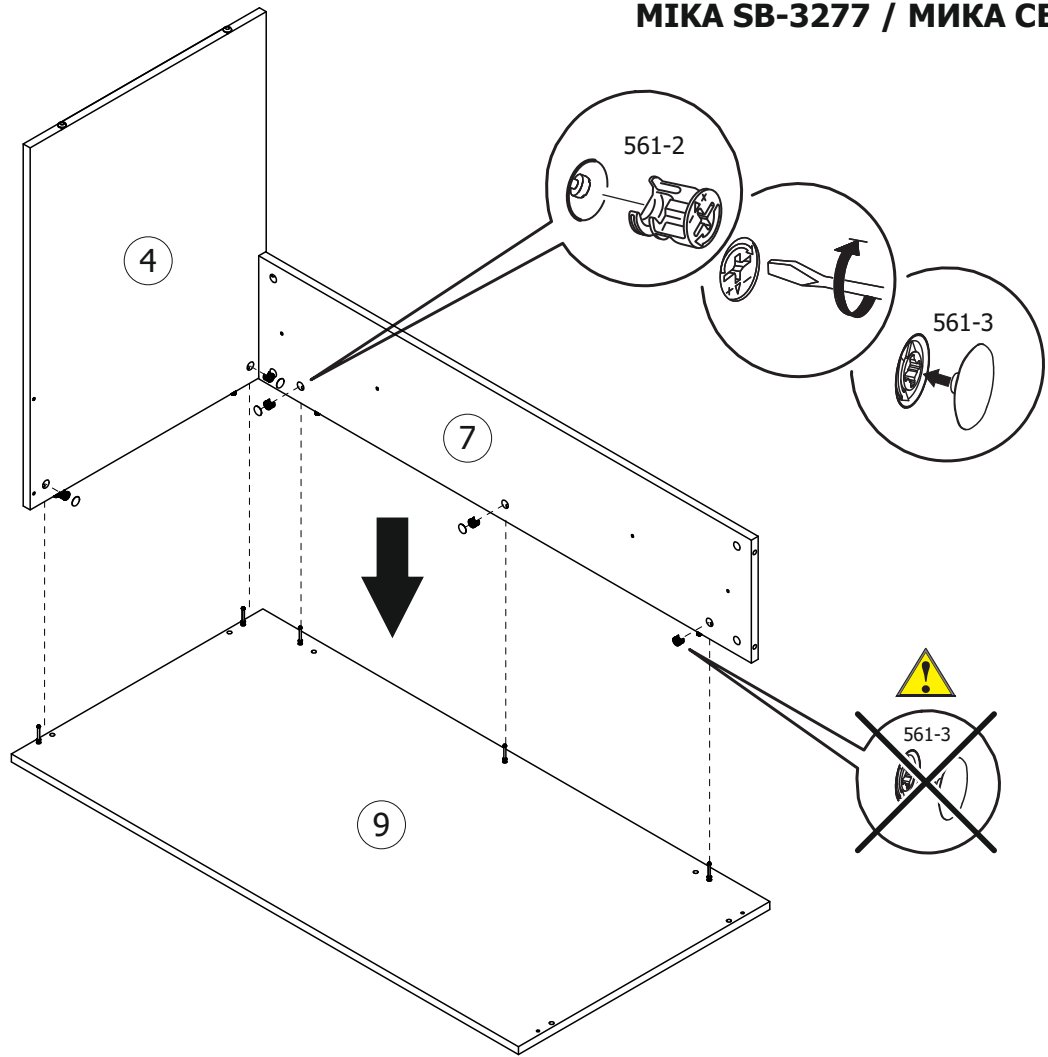
 561-2 Ø15x12 x6	 561-3 Ø18 x2
--	--



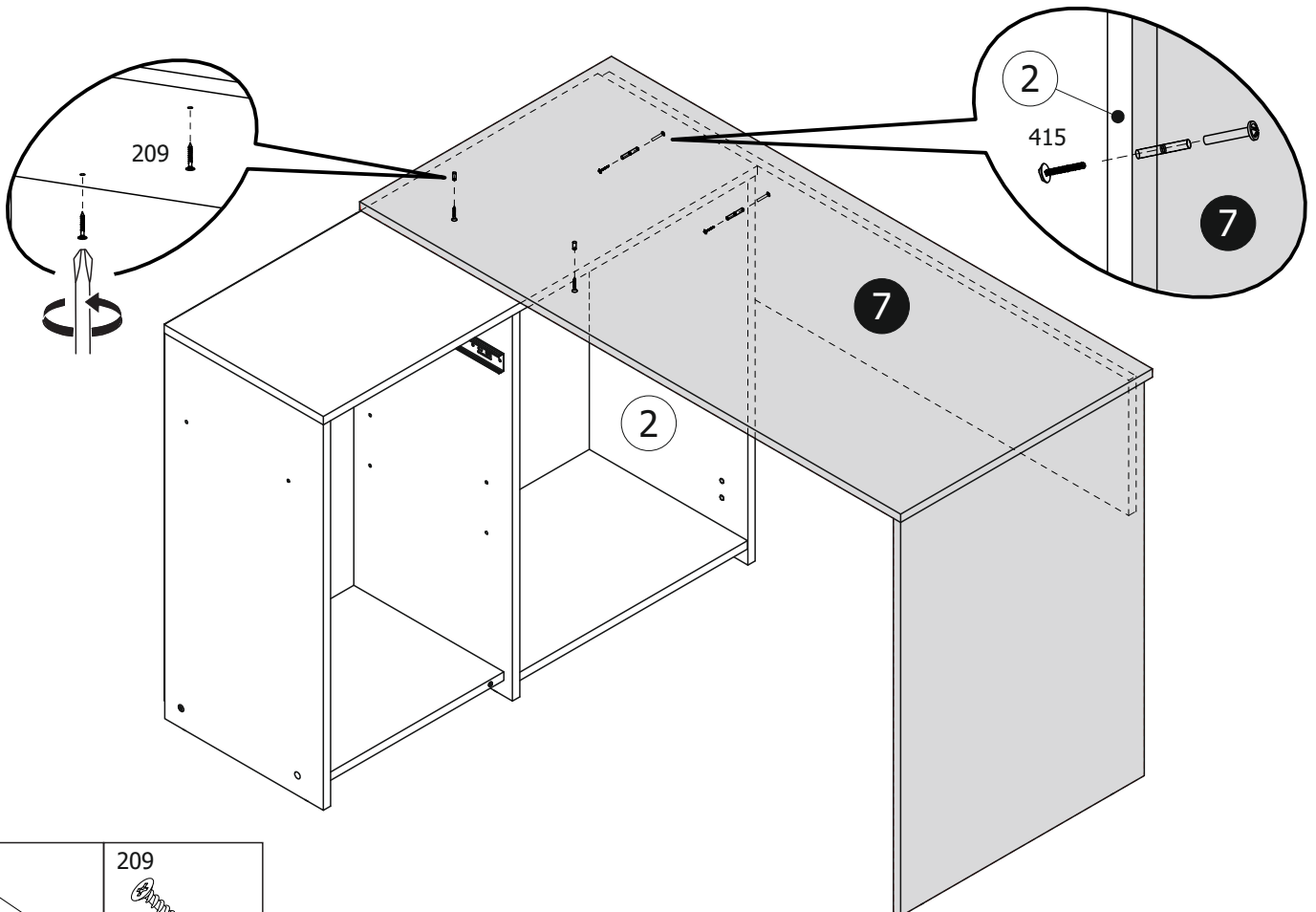
301	218	735
Ø1,6x25 x26	Ø3x18 x4	x4



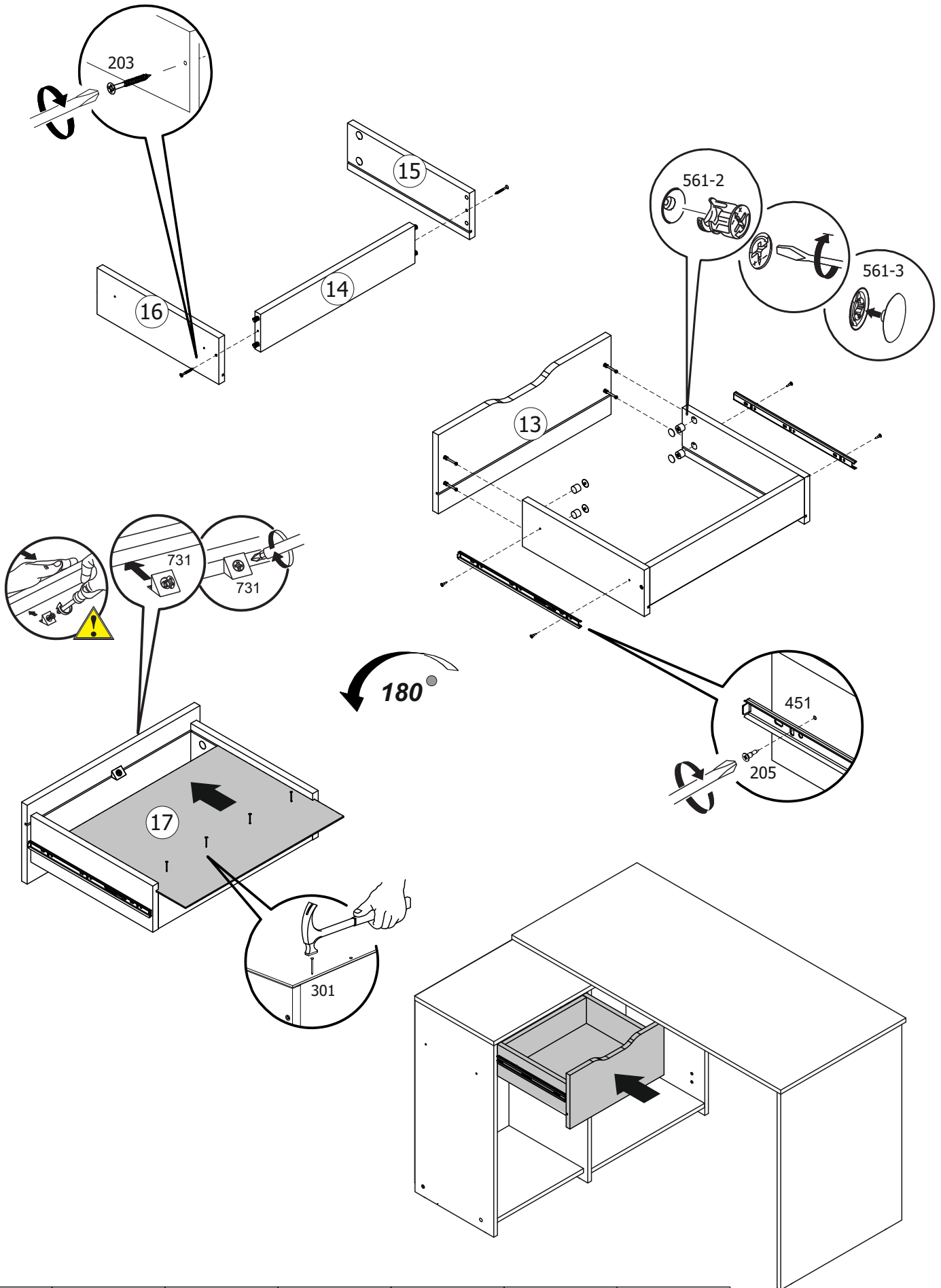
561-2	561-3
Ø15x12 x2	Ø18 x2

6**МИКА SB-3277 / МИКА СБ-3277**

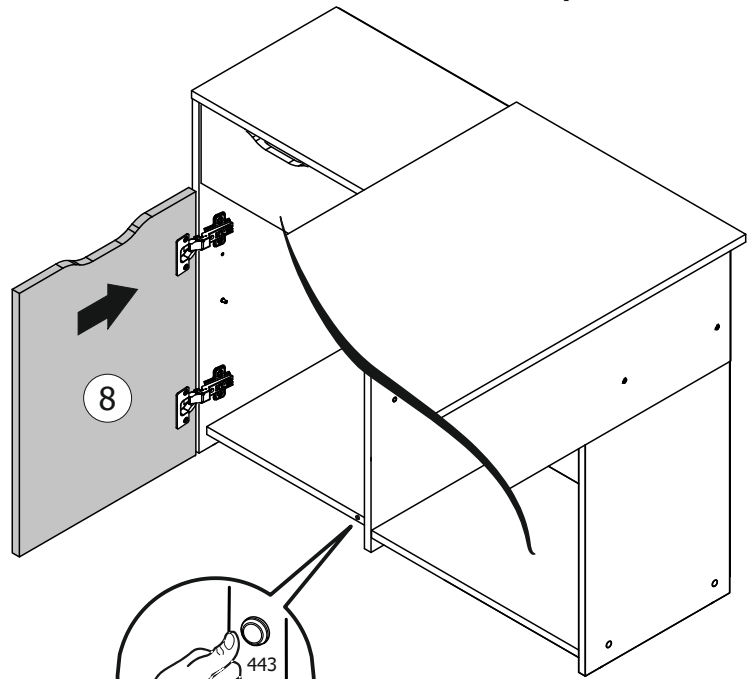
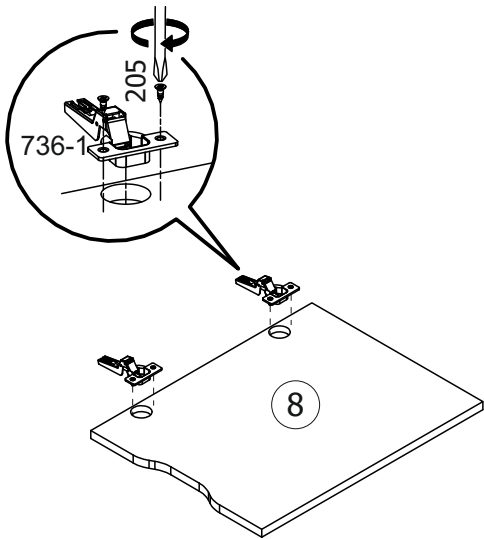
561-2	561-3
Ø15x12 x5	Ø18 x4

7

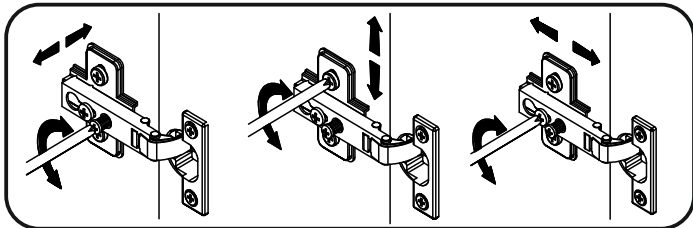
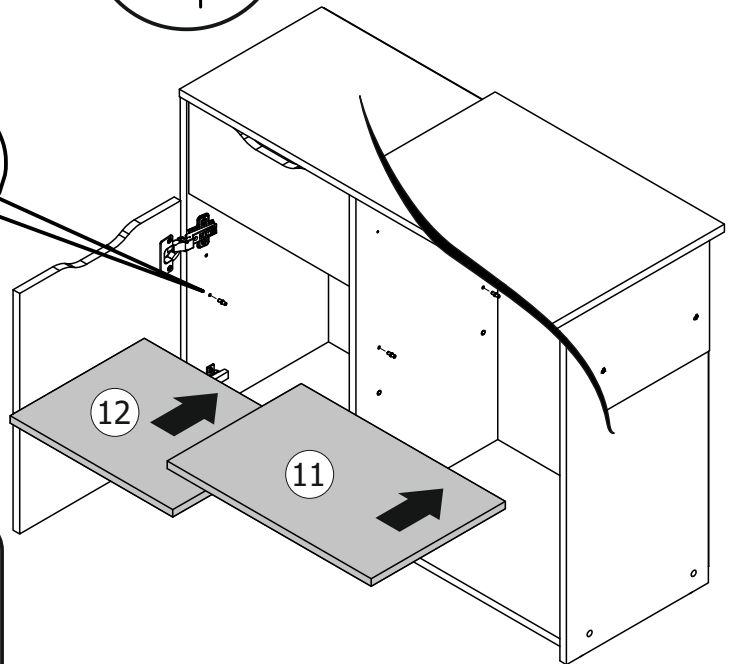
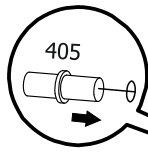
415	209
x2	Ø4x25 x2



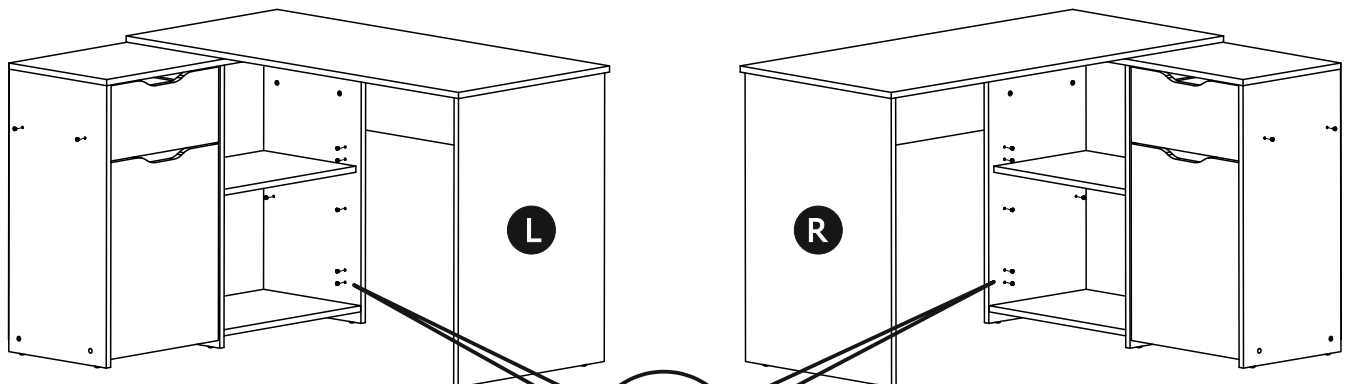
203	205	451	561-2	561-3	301	731
Ø4x35 x2	Ø4x16 x4	x1	Ø15x12 x4	x4	Ø1,6x25 x4	x1



205 Ø4x16 x4	736-1 110° x2
405 x8	443 x1



10



462 Ø5x5 x14

