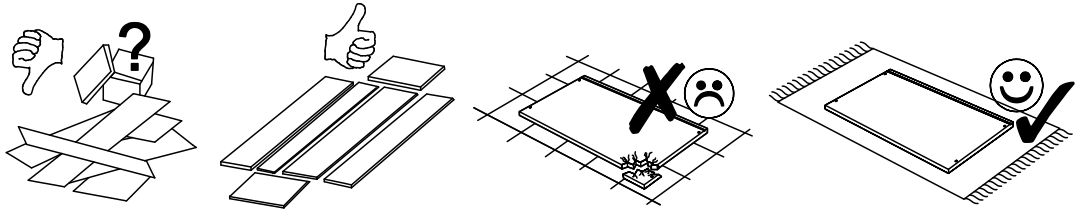
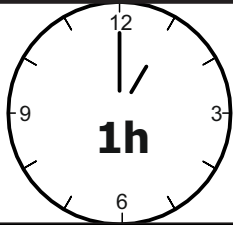
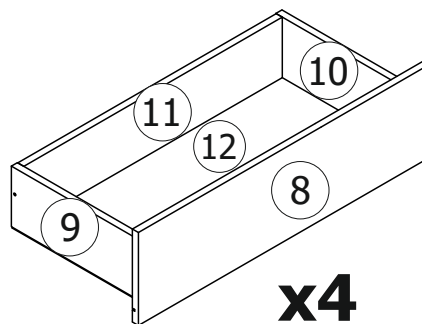
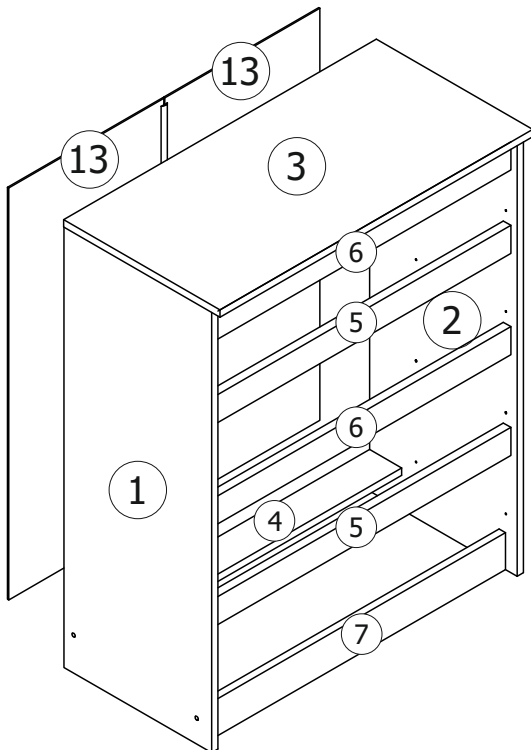
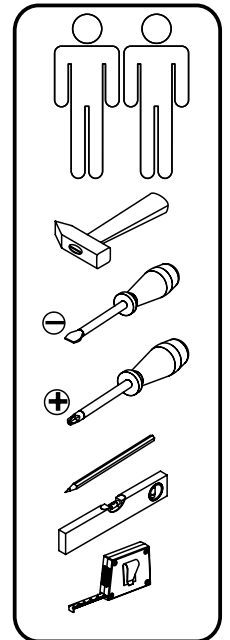
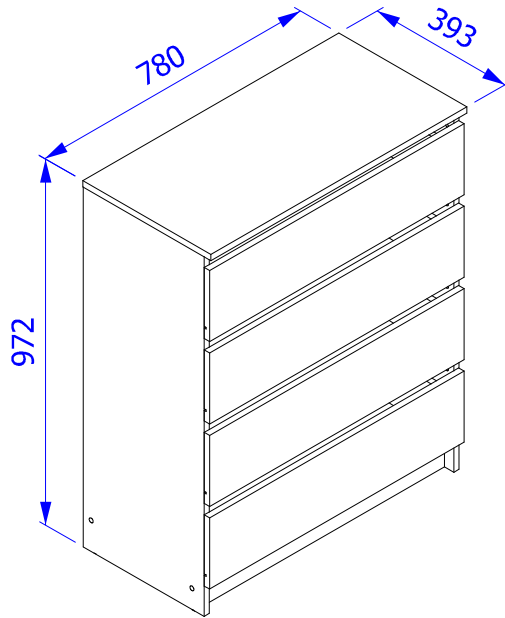


# LEON SB-3288 / ЛЕОН СБ-3288

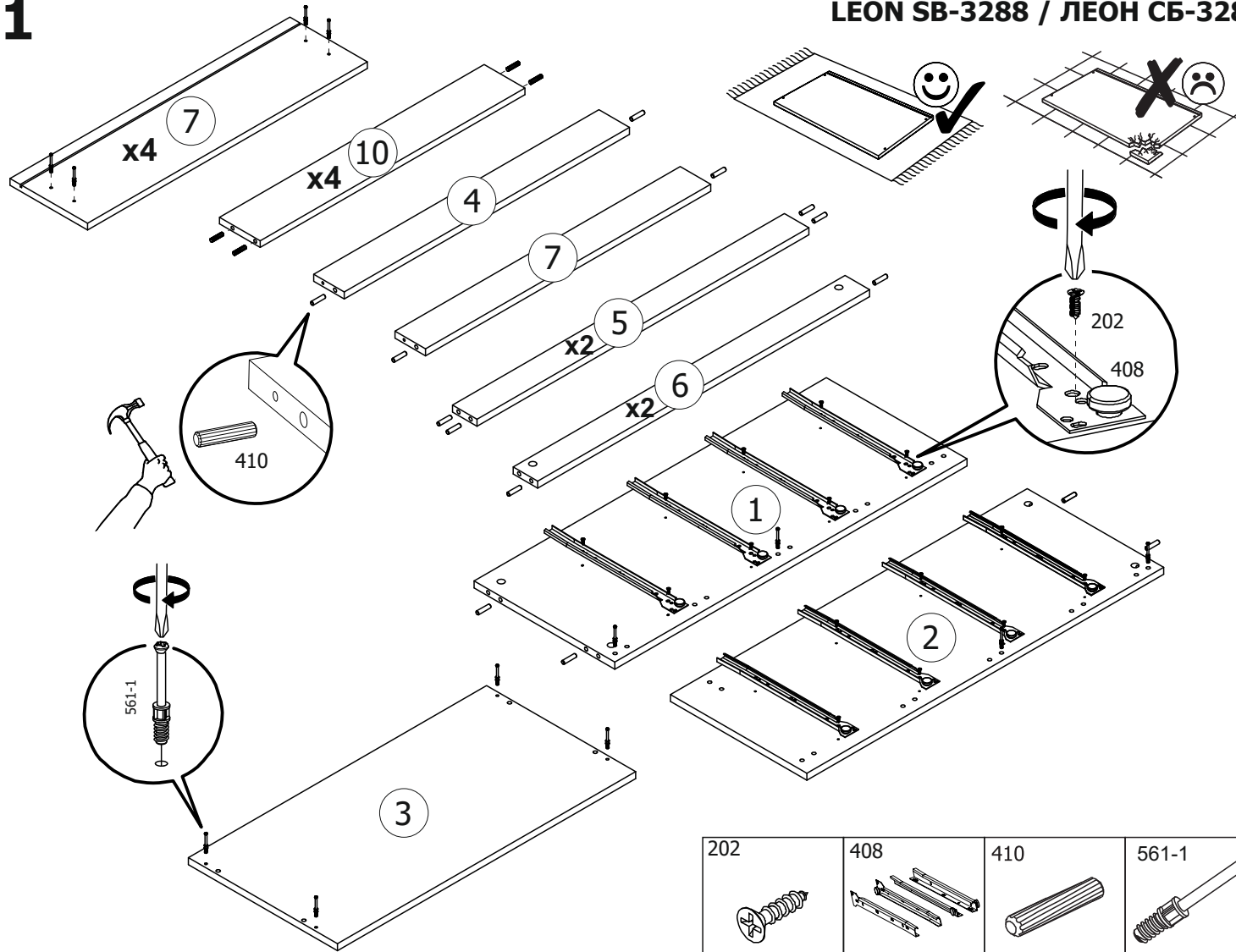


№	L	B	S	Q	
1	952	368	16	1	2/2
2	952	368	16	1	2/2
3	780	390	16	1	1/2
4	747	80	16	1	1/2
5	747	60	16	2	1/2
6	747	60	16	2	1/2
7	747	80	16	1	1/2
8	776	188	16	4	1/2
9	350	115	16	4	1/2
10	350	115	16	4	1/2
11	690	115	16	4	1/2
12	720	355	3	4	1/2
13	890	387	3	2	1/2

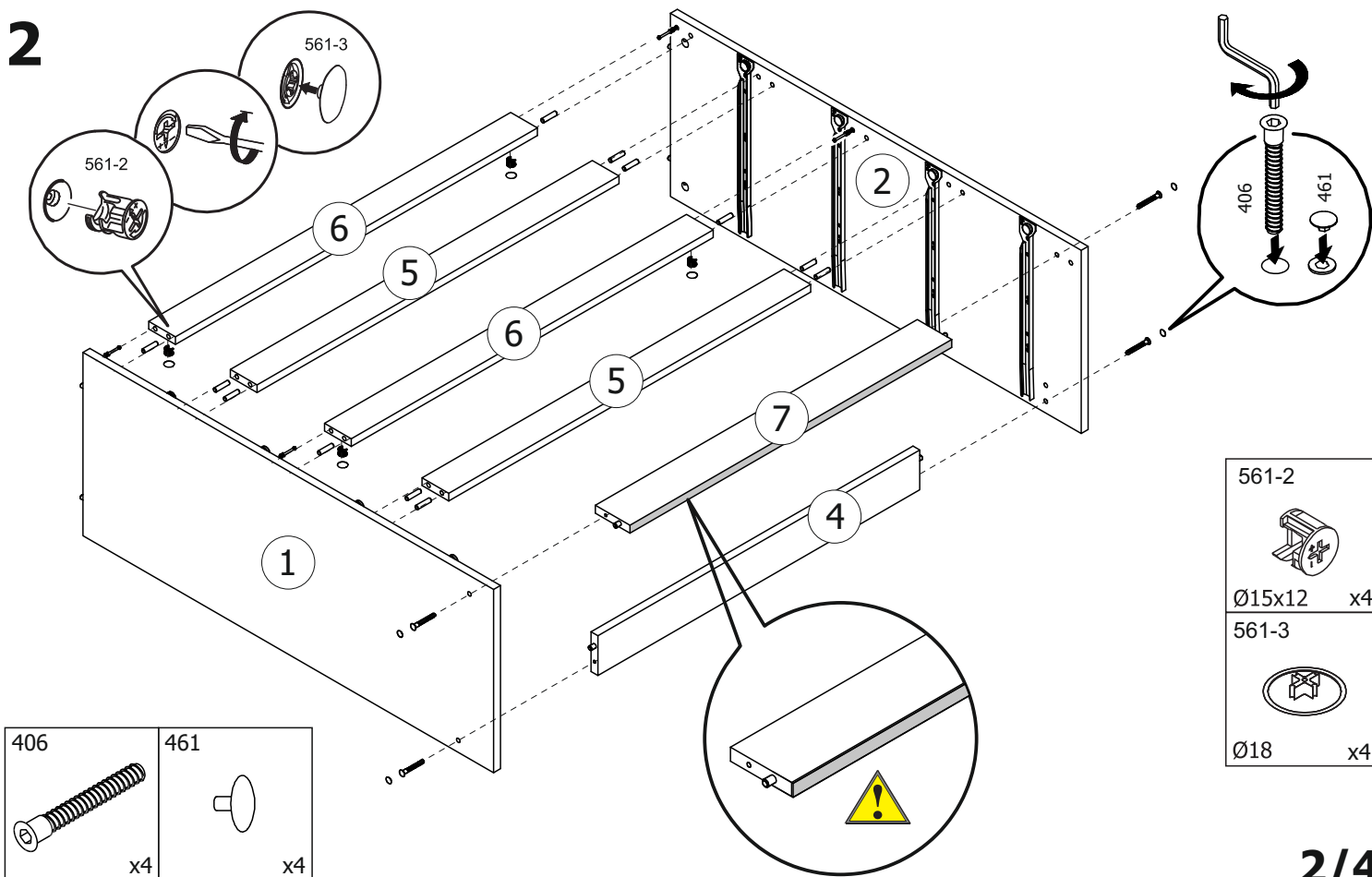


	301		$\text{Ø}1,6 \times 25$ x58
x1			
410		203	
$\text{Ø}8 \times 30$ x36		$\text{Ø}4 \times 35$ x8	
406		461	
	x4		x4
561-2		470	
$\text{Ø}15 \times 12$ x24			x4
561-1		561-3	
$\text{Ø}7 \times 45$ x24		$\text{Ø}18$ x24	
407		731	
L=860 x1			x8
202		408	
$\text{Ø}4 \times 13$ x32		L=350 x4	



**1****LEON SB-3288 / ЛЕОН СБ-3288**

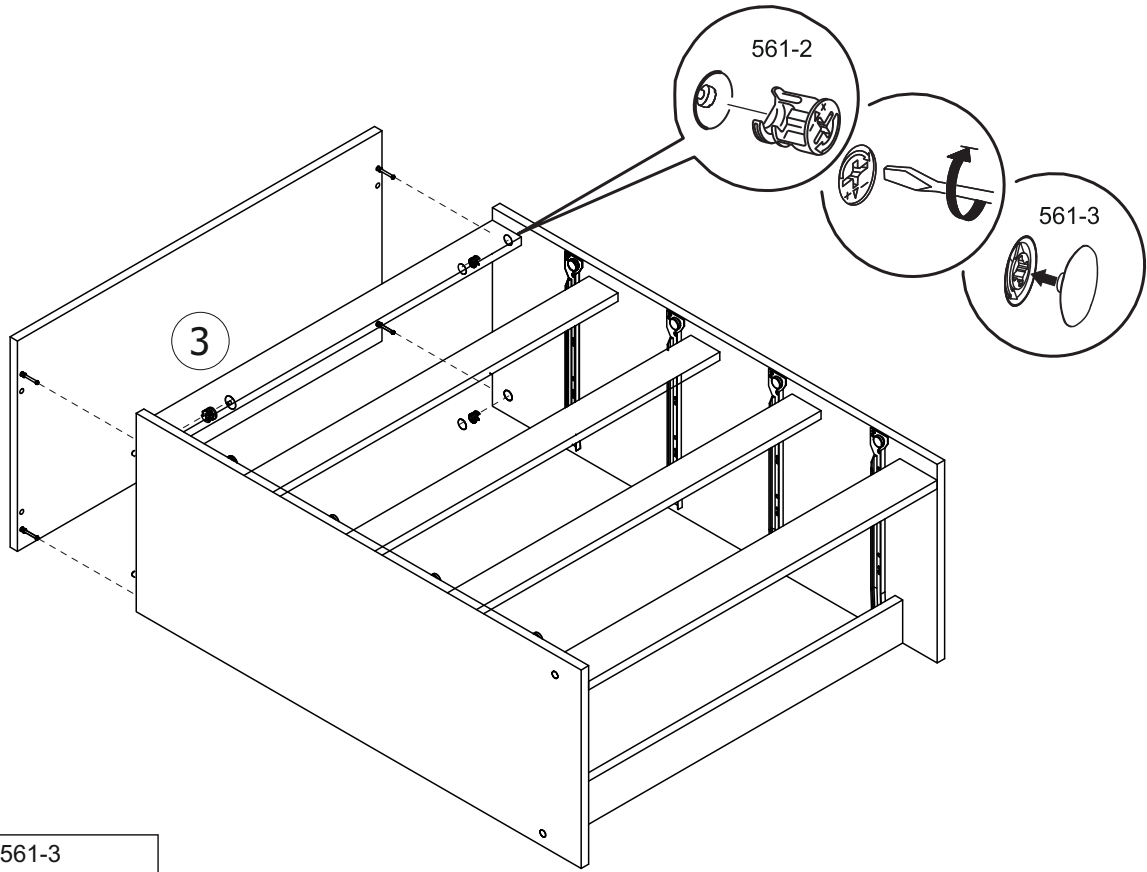
202	408	410	561-1
Ø4x13	x16 L=350	x4 Ø8x30	x36 x24

**2**

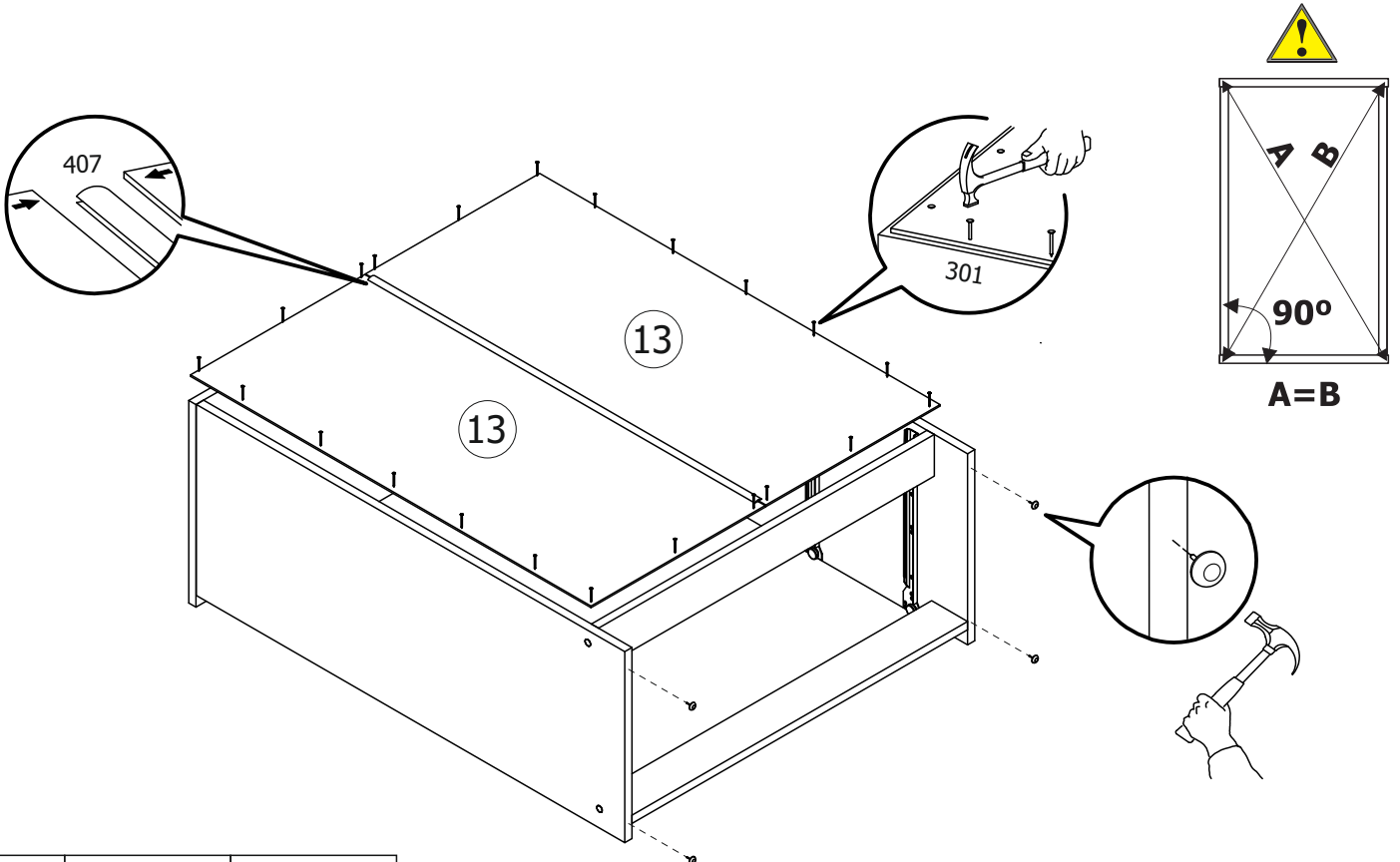
406	461
x4	x4

561-2	
Ø15x12	x4
561-3	
Ø18	x4

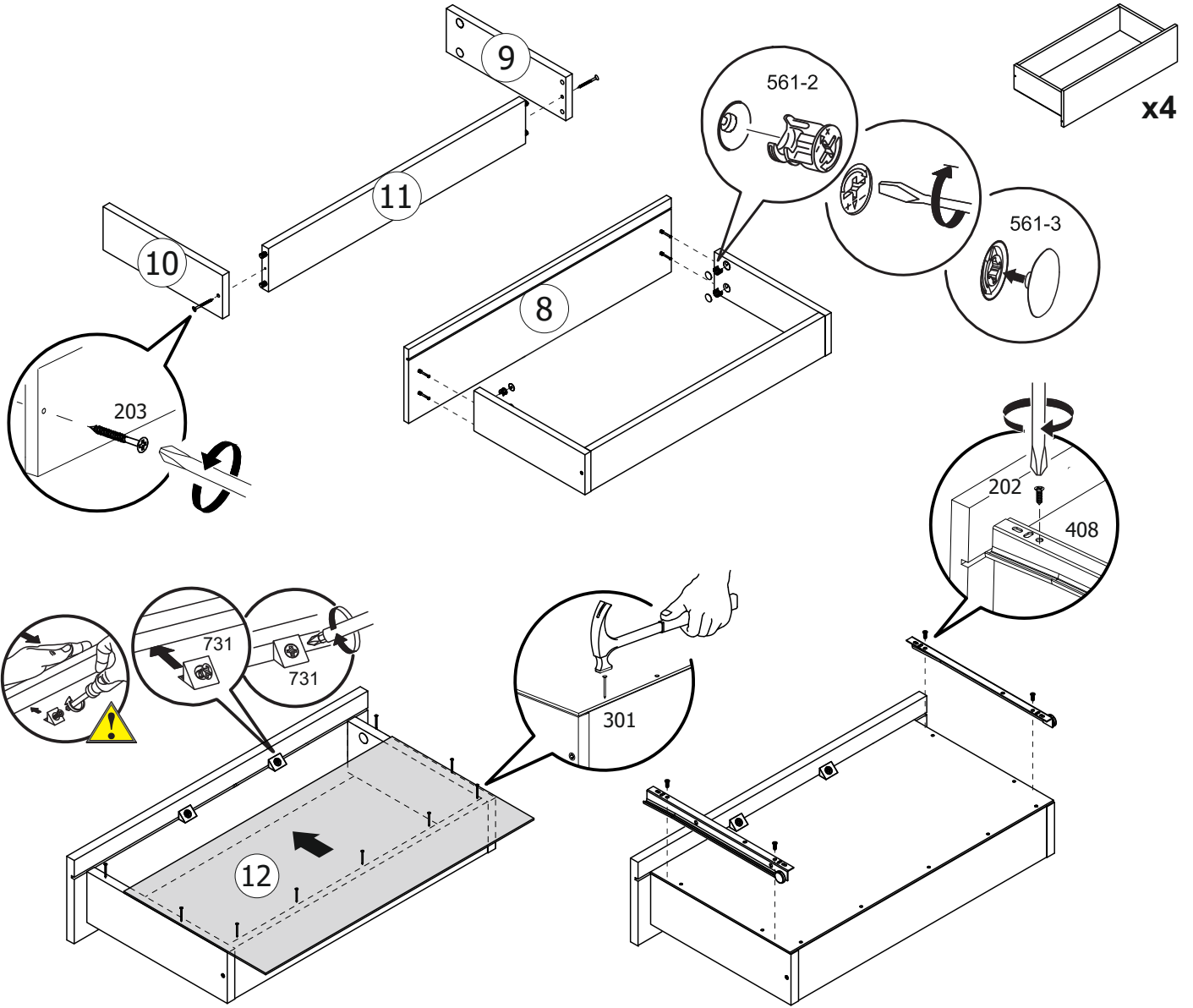
**2/4**

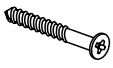


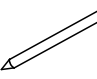

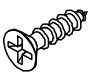
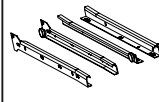


561-2	561-3
Ø15x12 x4	Ø18 x4



301	407	470
Ø1,6x25 x22	L=860 x1	x4



<p>203</p>  <p>Ø4x35 x2</p>	<p>561-2</p>  <p>Ø15x12 x4</p>	<p>561-3</p>  <p>x4</p>	<p>301</p>  <p>Ø1,6x25 x9</p>	<p>731</p>  <p>x2</p>	<p>202</p>  <p>Ø4x13 x4</p>	<p>408</p>  <p>L=350 x1</p>
---	---	--	--	--	---	--

