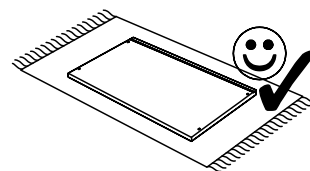
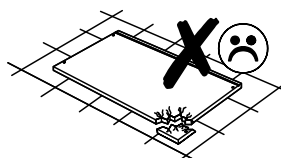
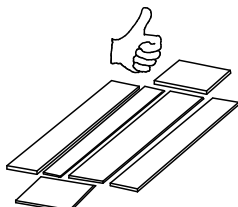
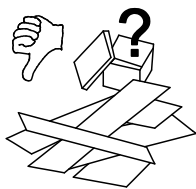
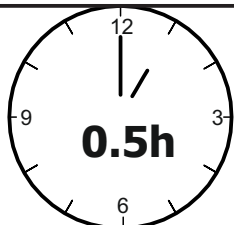
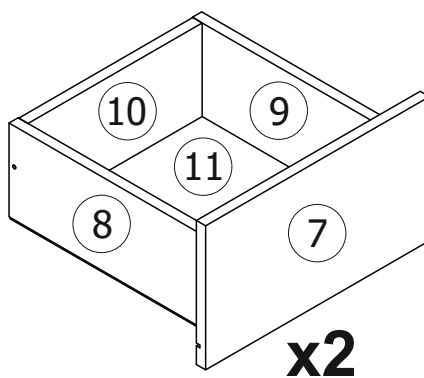
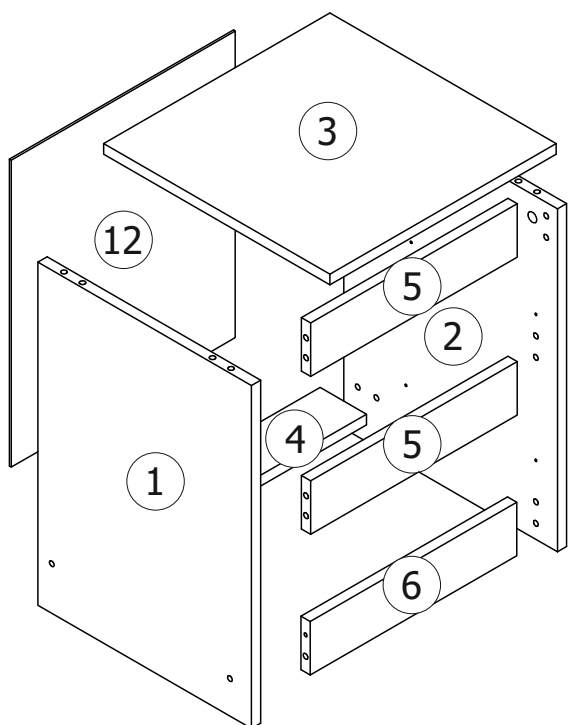
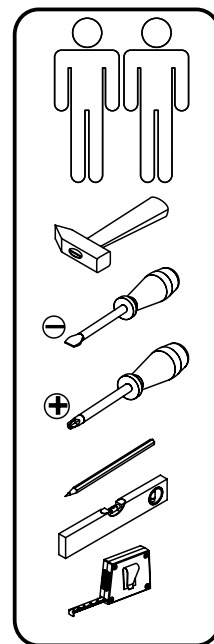
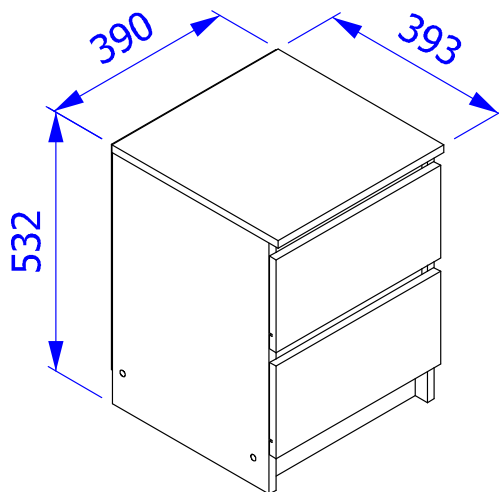


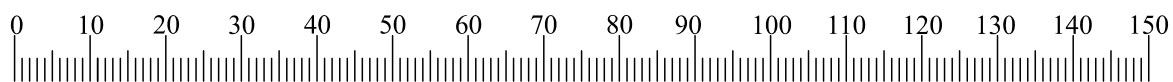
LEON SB-3293 / ЛЕОН СБ-3293



№	L	B	S	Q	
1	512	368	16	1	1/1
2	512	368	16	1	1/1
3	390	390	16	1	1/1
4	356	80	16	1	1/1
5	356	60	16	2	1/1
6	356	80	16	1	1/1
7	386	188	16	2	1/1
8	350	115	16	2	1/1
9	350	115	16	2	1/1
10	300	115	16	2	1/1
11	330	355	3	2	1/1
12	524	386	3	1	1/1

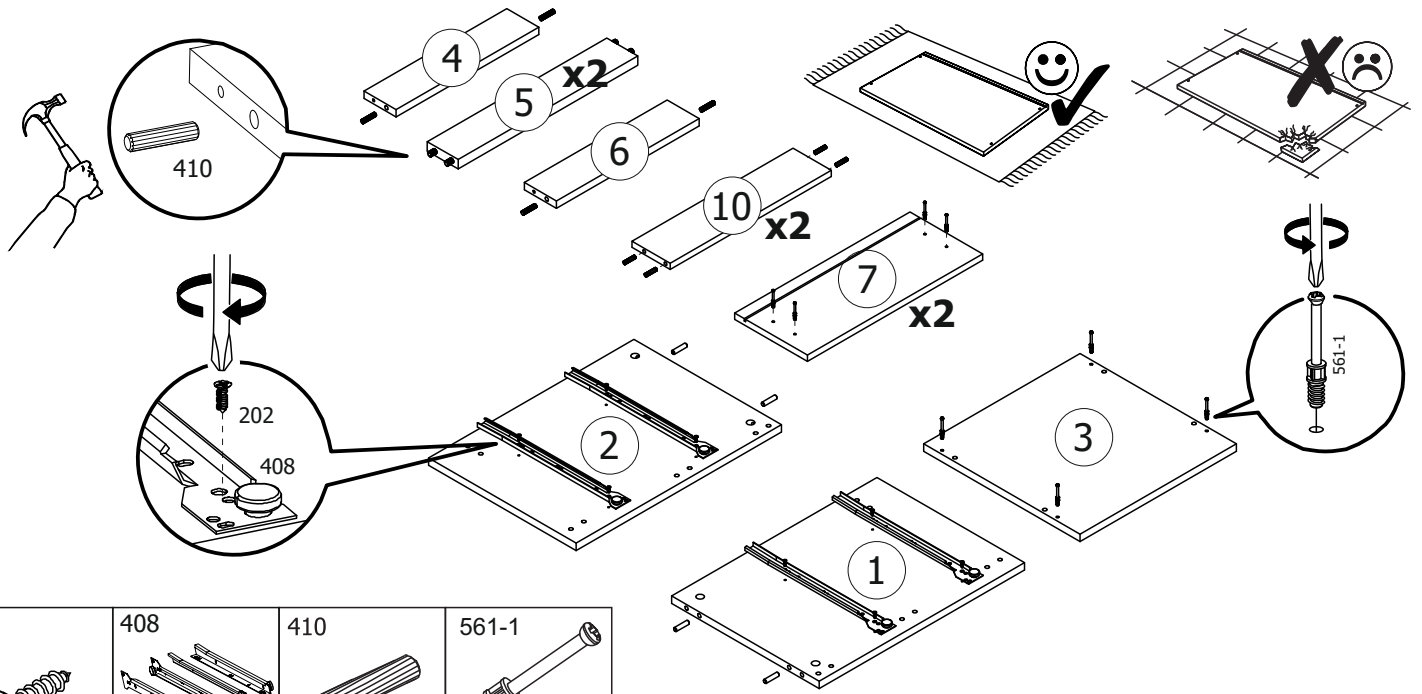


	301		$\times 1$	$\times 24$
410		203	$\times 24$	$\times 4$
406		461	$\times 4$	$\times 4$
561-2		470	$\times 12$	$\times 4$
561-1		561-3	$\times 12$	$\times 12$
202		408	$\times 16$	$\times 2$



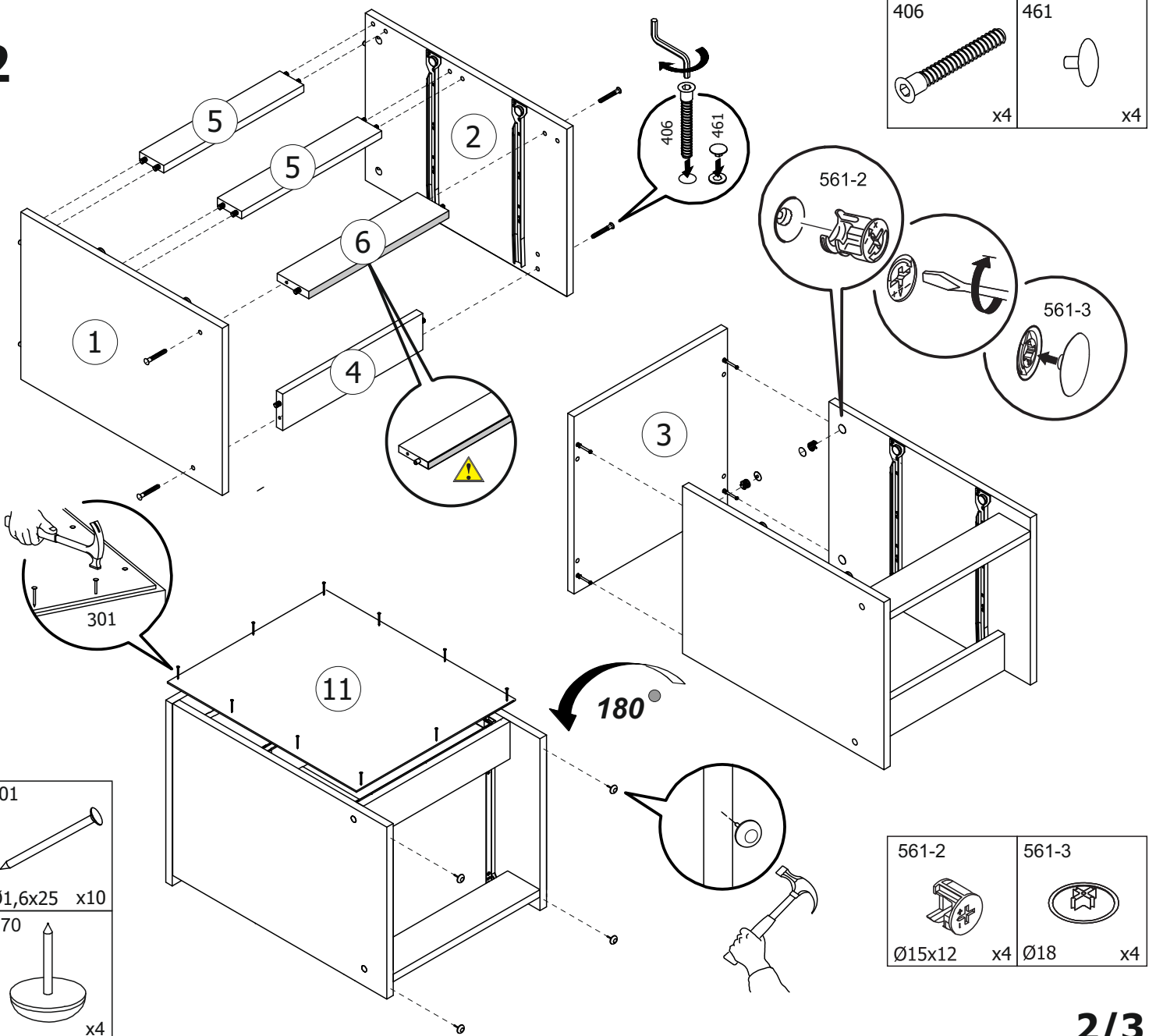
1

LEON SB-3293 / ЛЕОН СБ-3293



202	408	410	561-1
Ø4x13 x8	L=350 x2	Ø8x30 x24	Ø7x45 x12

2

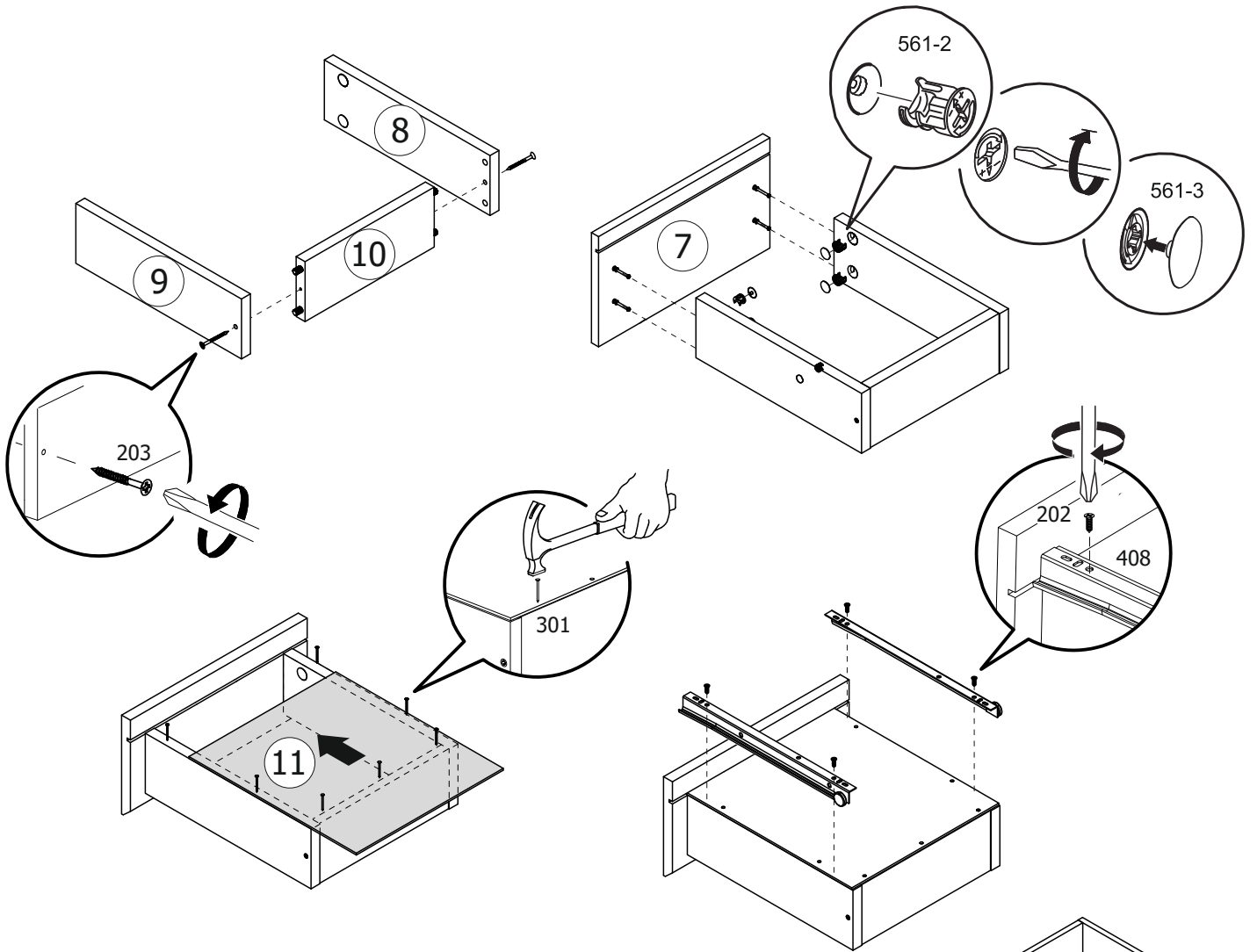


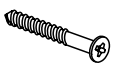
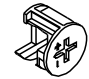

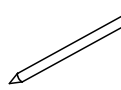
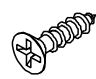
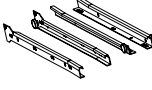
406	461
x4	x4

301	470
Ø1,6x25 x10	x4

561-2	561-3
Ø15x12 x4	Ø18 x4

2/3



<p>203</p>  <p>Ø4x35 x2</p>	<p>561-2</p>  <p>Ø15x12 x4</p>	<p>561-3</p>  <p>x4</p>	<p>301</p>  <p>Ø1,6x25 x7</p>	<p>202</p>  <p>Ø4x13 x4</p>	<p>408</p>  <p>L=350 x1</p>
---	---	--	--	--	---

