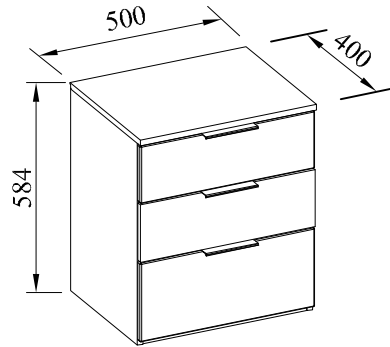
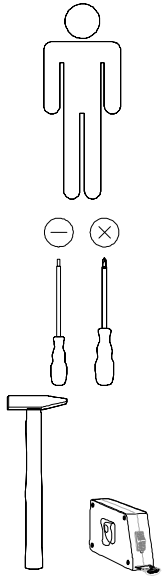
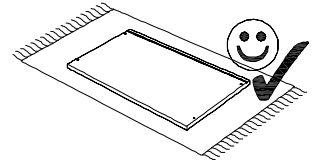
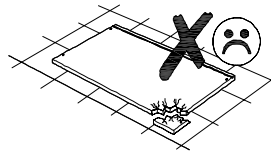
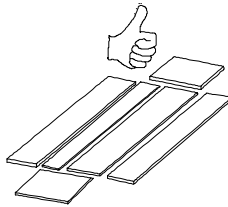
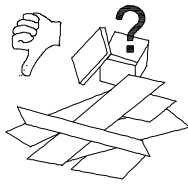
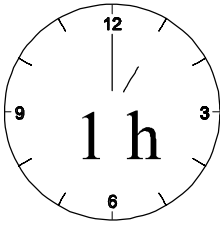
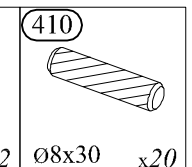
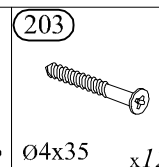
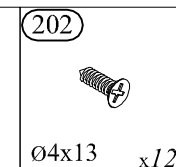
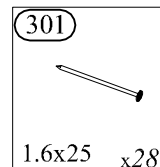
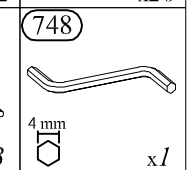
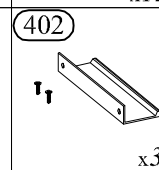
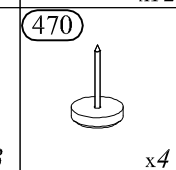
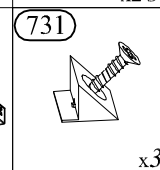
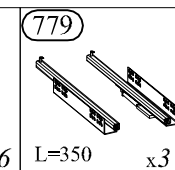
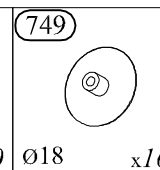
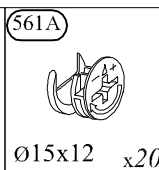
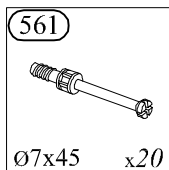
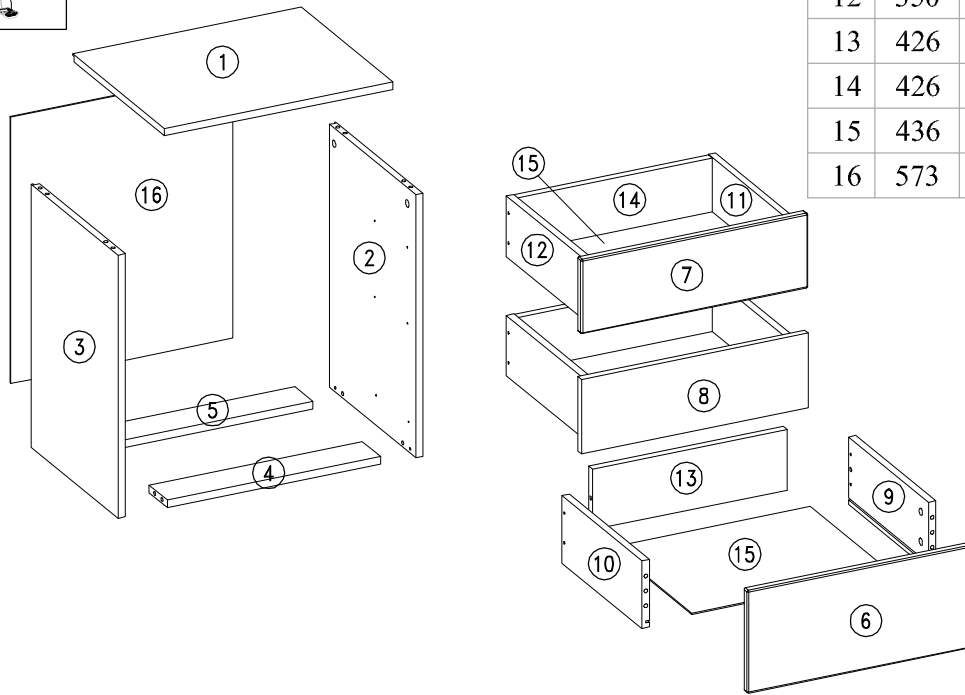


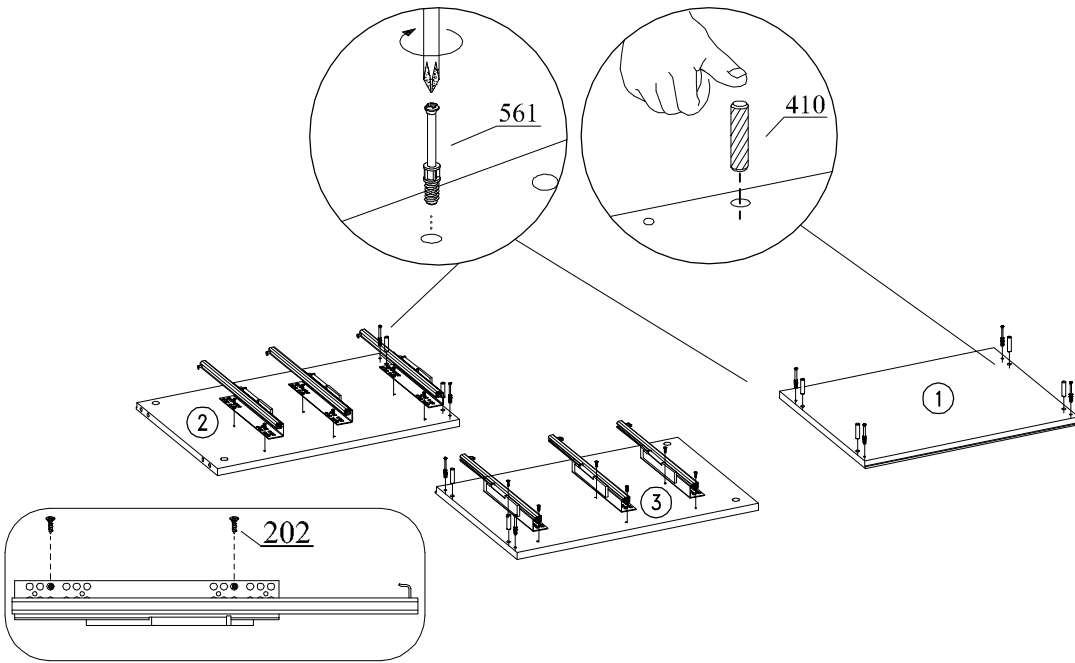
"Мальта" СБ-3295 \ "Malta" SB-3295



| № | L | B | S | Q | |
|----|-----|-----|----|---|---|
| 1 | 500 | 400 | 16 | 1 | 1 |
| 2 | 564 | 380 | 16 | 1 | 1 |
| 3 | 564 | 380 | 16 | 1 | 1 |
| 4 | 466 | 80 | 16 | 1 | 1 |
| 5 | 466 | 80 | 16 | 1 | 1 |
| 6 | 496 | 220 | 16 | 1 | 1 |
| 7 | 496 | 160 | 16 | 1 | 1 |
| 8 | 496 | 160 | 16 | 1 | 1 |
| 9 | 350 | 145 | 16 | 1 | 1 |
| 10 | 350 | 145 | 16 | 1 | 1 |
| 11 | 350 | 130 | 16 | 2 | 1 |
| 12 | 350 | 130 | 16 | 2 | 1 |
| 13 | 426 | 130 | 16 | 1 | 1 |
| 14 | 426 | 115 | 16 | 2 | 1 |
| 15 | 436 | 353 | 3 | 3 | 1 |
| 16 | 573 | 488 | 3 | 1 | 1 |

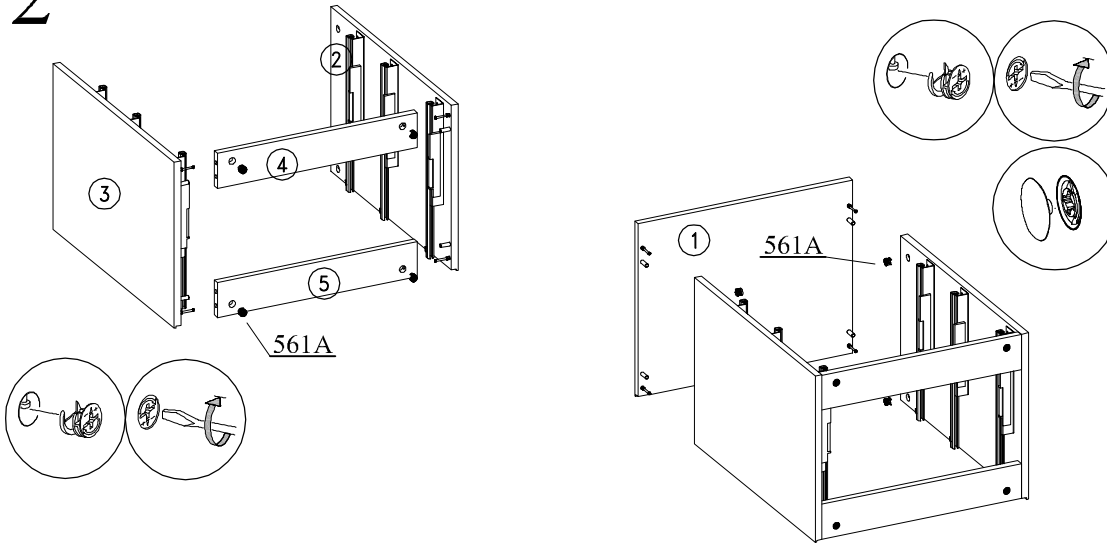


1



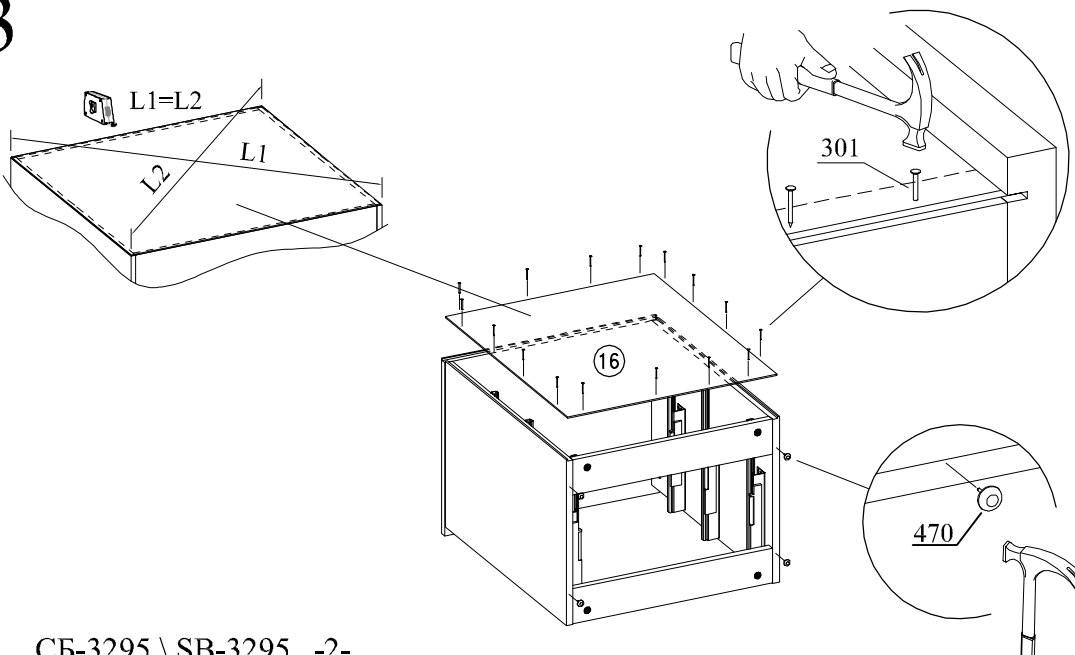
- (202) $\varnothing 4 \times 13$ x12
- (410) $\varnothing 8 \times 30$ x8
- (561) $\varnothing 7 \times 45$ x8
- (779) L=350 x3

2



- (561A) $\varnothing 15 \times 12$ x8
- (749) $\varnothing 18$ x4
- (799) $\varnothing 7 \times 45$ x8

3



- (301) 1.6x25 x16
- (470) x4

