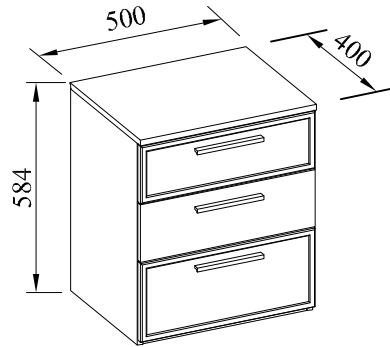
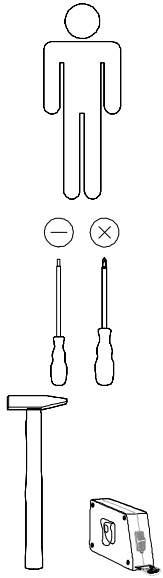
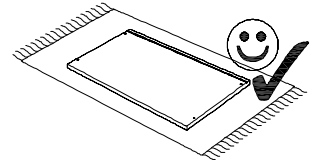
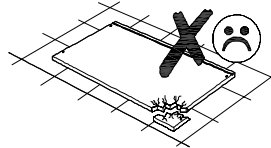
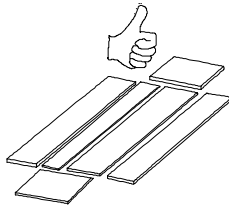
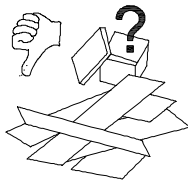
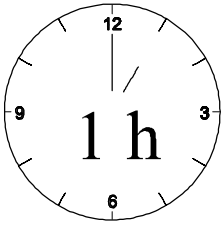
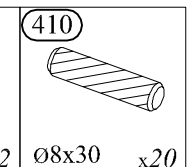
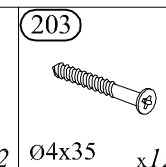
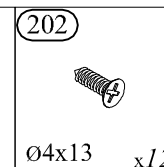
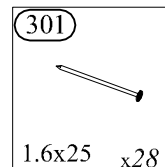
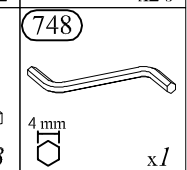
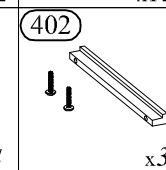
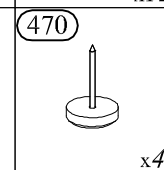
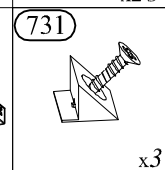
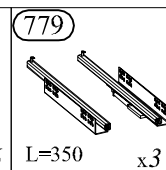
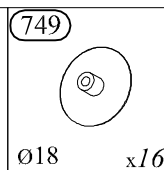
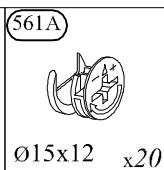
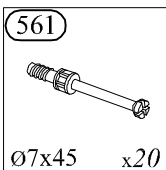
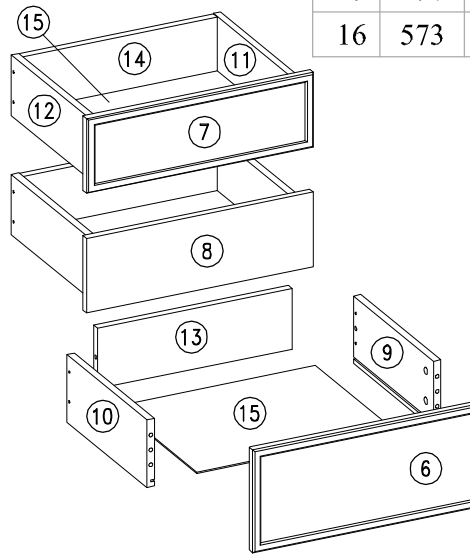
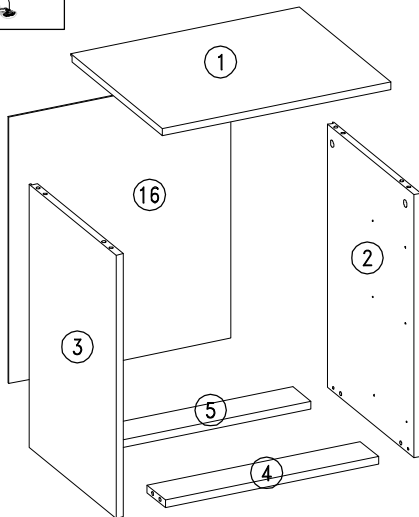


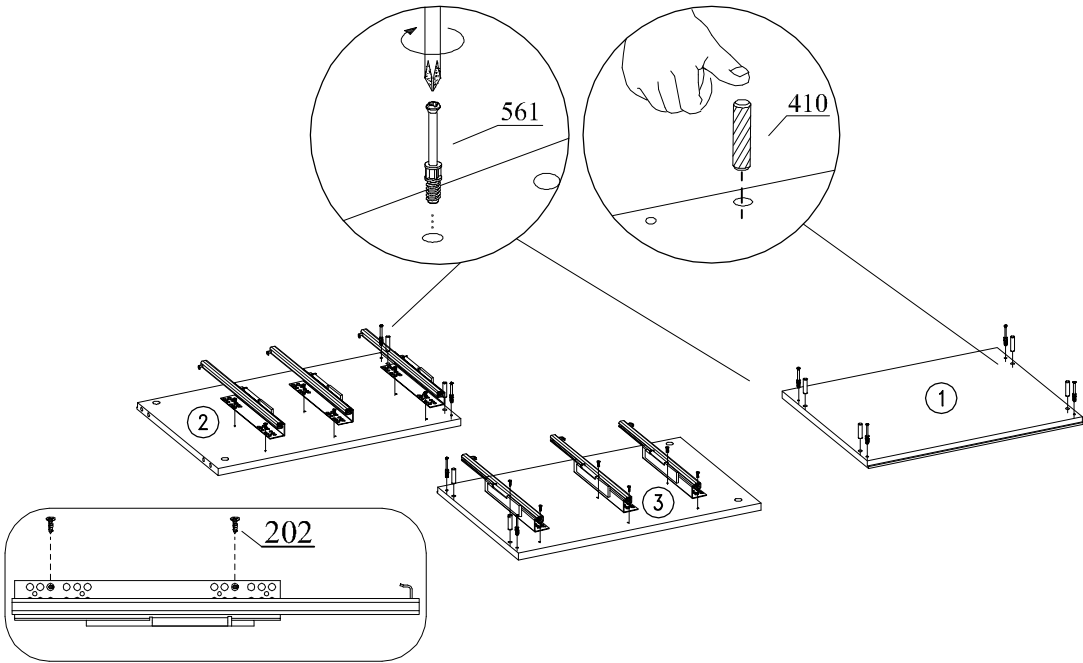
Милан СБ-3295 \ Milan SB-3295



№	L	B	S	Q	
1	500	400	16	1	1
2	564	380	16	1	1
3	564	380	16	1	1
4	466	80	16	1	1
5	466	80	16	1	1
6	496	220	19	1	1
7	496	160	19	1	1
8	496	160	16	1	1
9	350	145	16	1	1
10	350	145	16	1	1
11	350	130	16	2	1
12	350	130	16	2	1
13	426	130	16	1	1
14	426	115	16	2	1
15	436	353	3	3	1
16	573	488	3	1	1

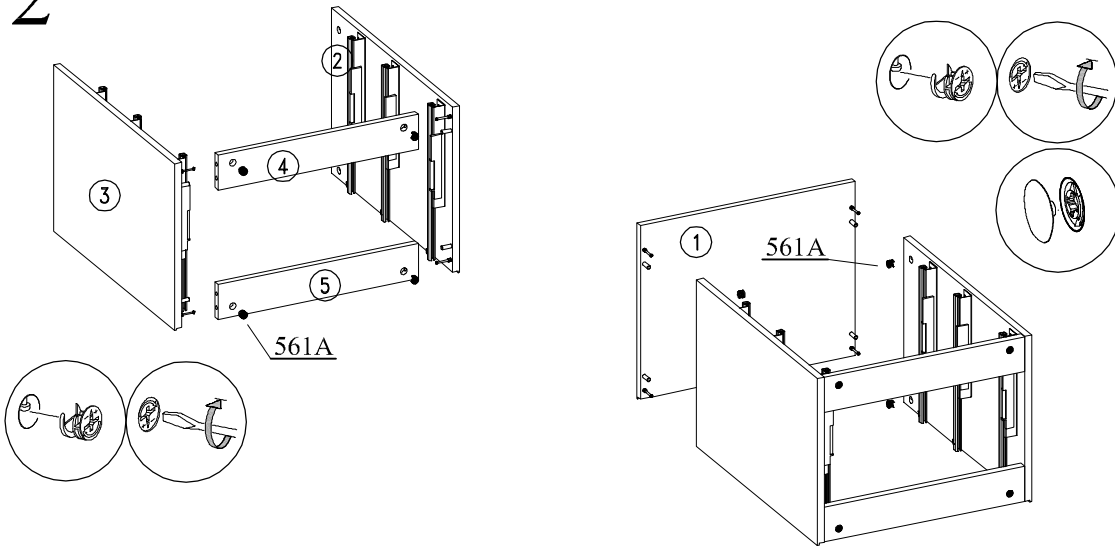


1



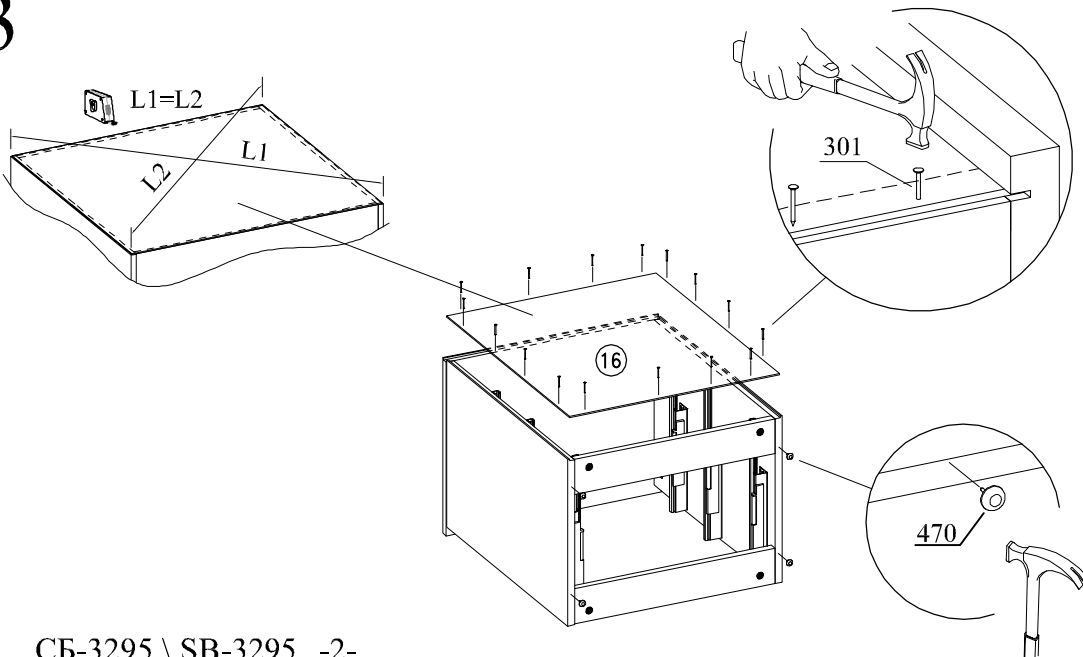
202
Ø4x13 x12
410
Ø8x30 x8
561
Ø7x45 x8
779
L=350 x3

2



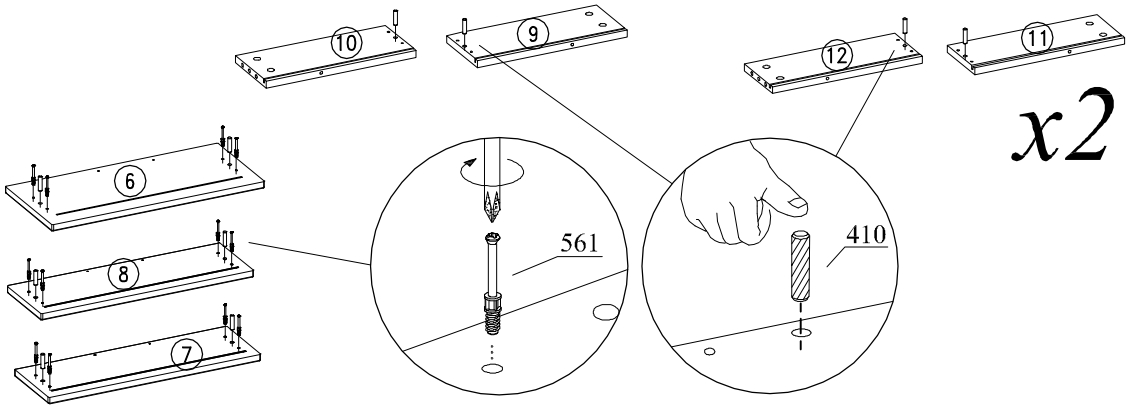
561A
Ø15x12 x8
749
Ø18 x4

3

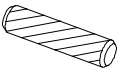
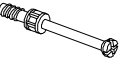


301
1.6x25 x16
470
x4

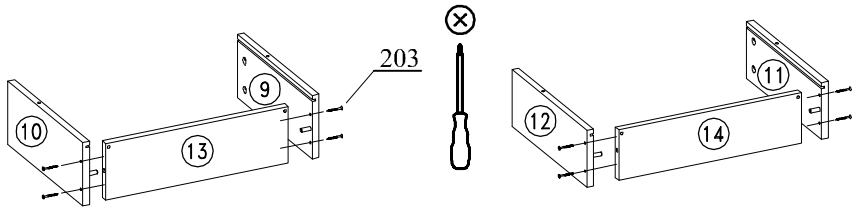
4



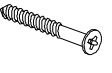
x2


- (410)  $\varnothing 8 \times 30$ x12
- (561)  $\varnothing 7 \times 45$ x12

5

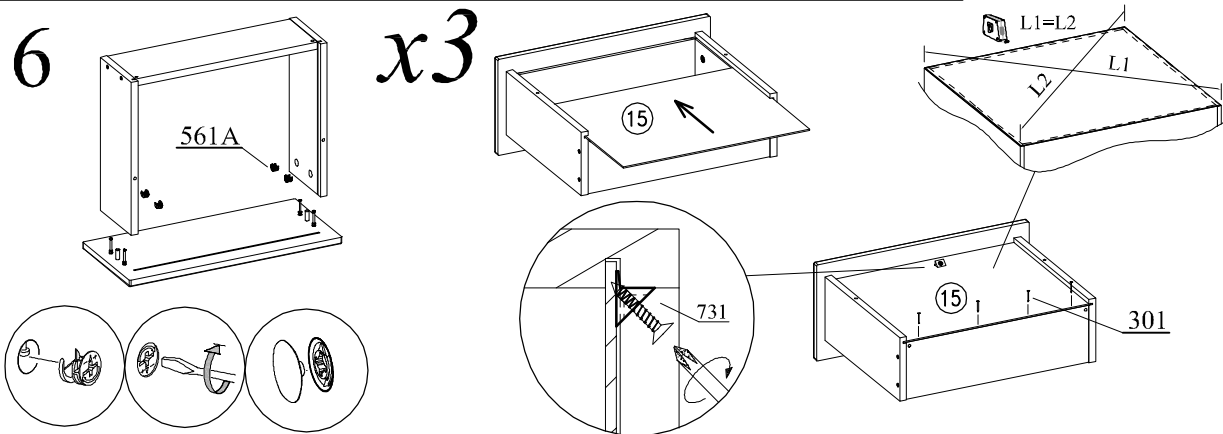


x2


- (203)  $\varnothing 4 \times 35$ x12

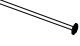
- (561A)  $\varnothing 15 \times 12$ x12

6

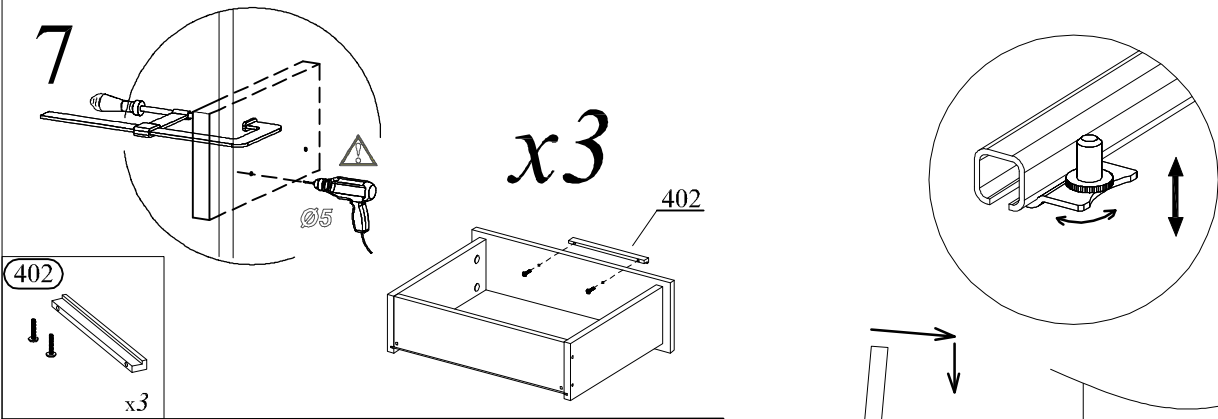


x3

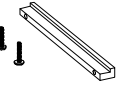
- (749)  $\varnothing 18$ x12

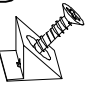
- (301)  1.6x25 x12

7



x3

- (402)  x3

- (731)  x3

8

