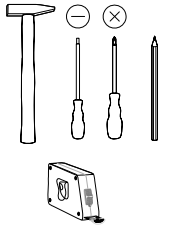
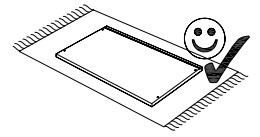
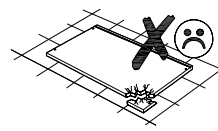
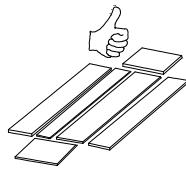
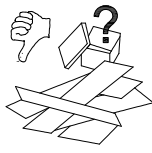
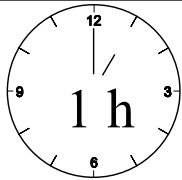
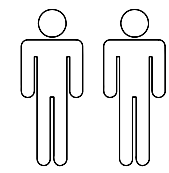
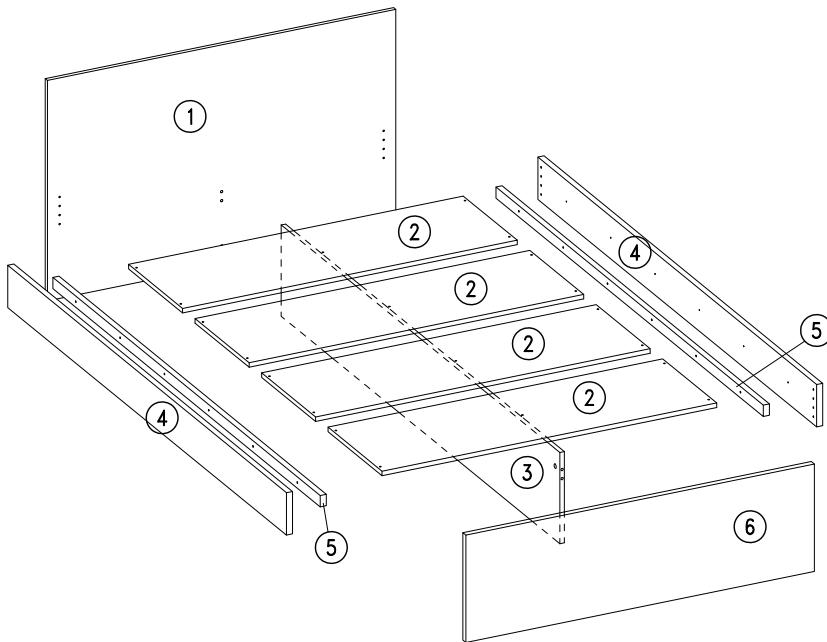
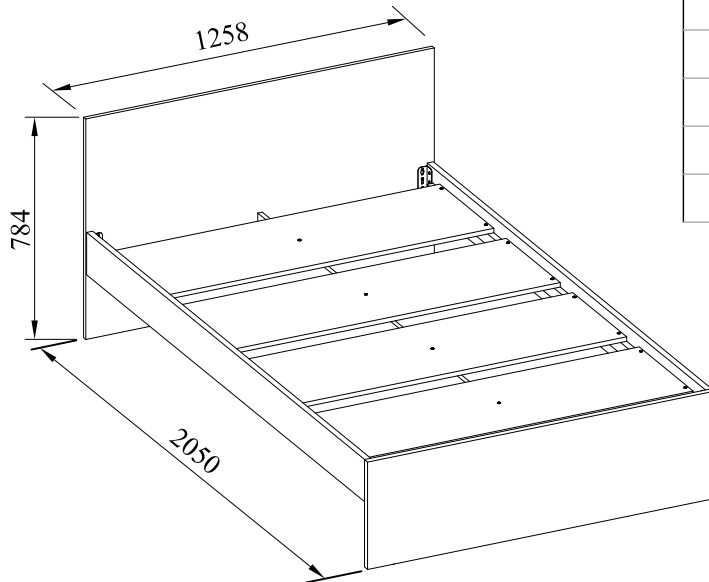
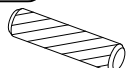



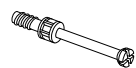

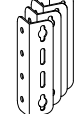

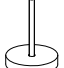


# "БРУКЛИН" СБ-3352 \ "BROOKLIN" SB-3352



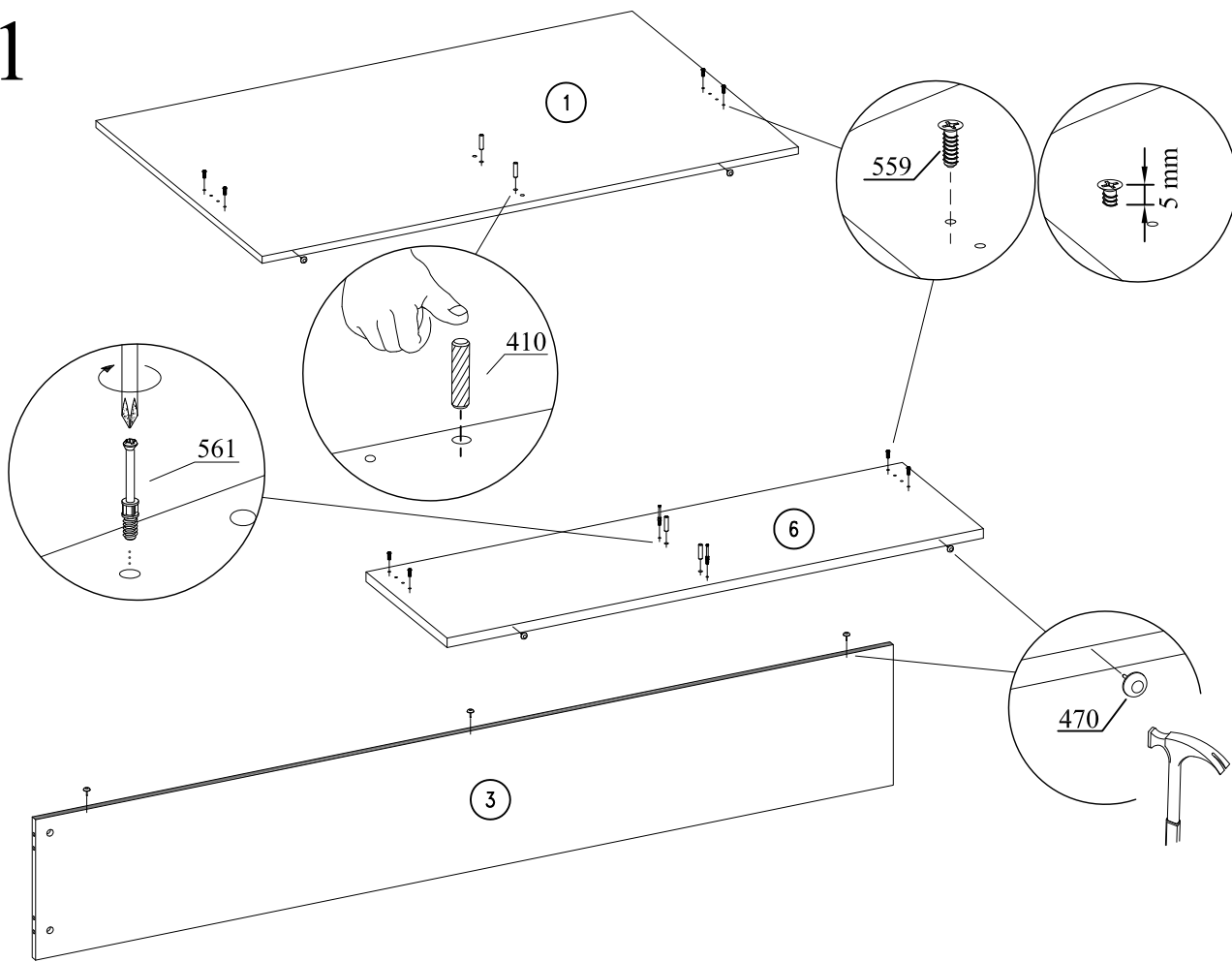
№	L	B	S	Q	☐
1	1258	780	16	1	3
2	1208	390	16	4	2-3
3	2012	323	16	1	1
4	2012	150	22	2	1
5	1930	40	22	2	1
6	1258	380	22	1	2



 410 $\varnothing 8 \times 30$ x4	 406 $\varnothing 7 \times 50$ x2	 747 $\varnothing 12$ x2	 748 4 mm x1
 561 $\varnothing 7 \times 45$ x2	 561A $\varnothing 15 \times 12$ x2	 559 4+32 x1	 605 $\varnothing 4 \times 40$ x24
			 470 x7

0 10 20 30 40 50 60 70 80 90 100 110 120 130 140 150 160 170 180

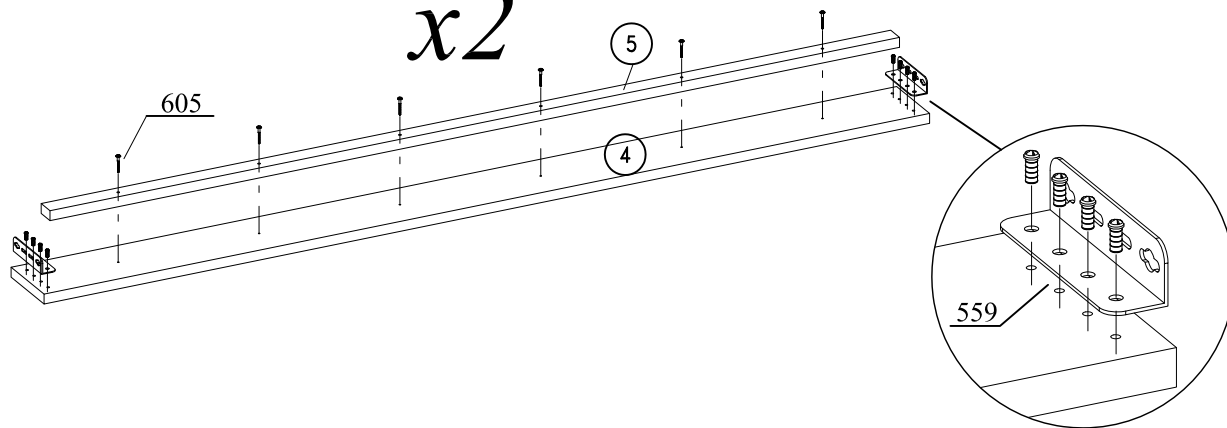
1



- 410  
Ø8x30 x4
- 561  
Ø7x45 x2
- 559  
Ø6x14 x8
- 470  
x7

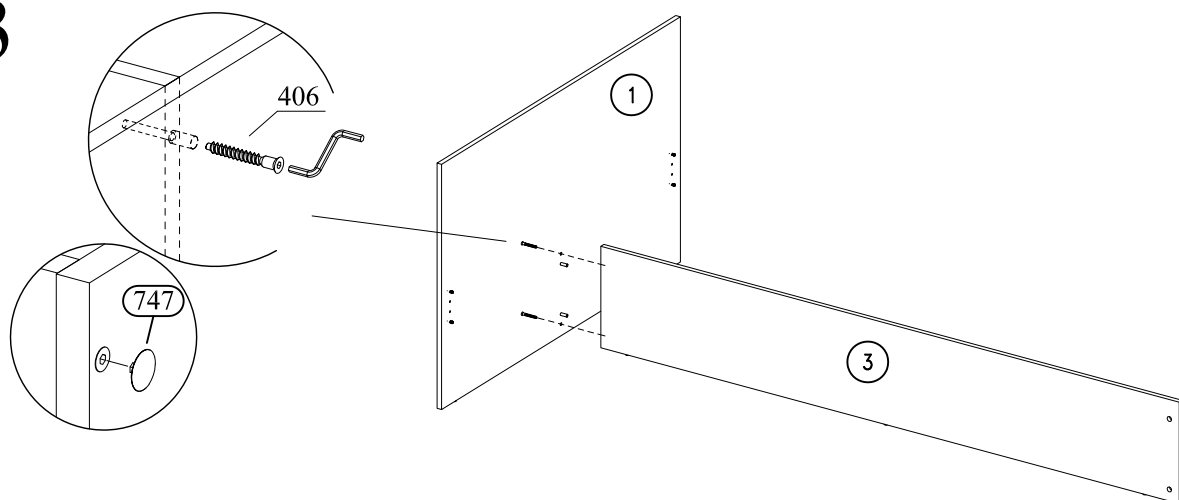
2

x2



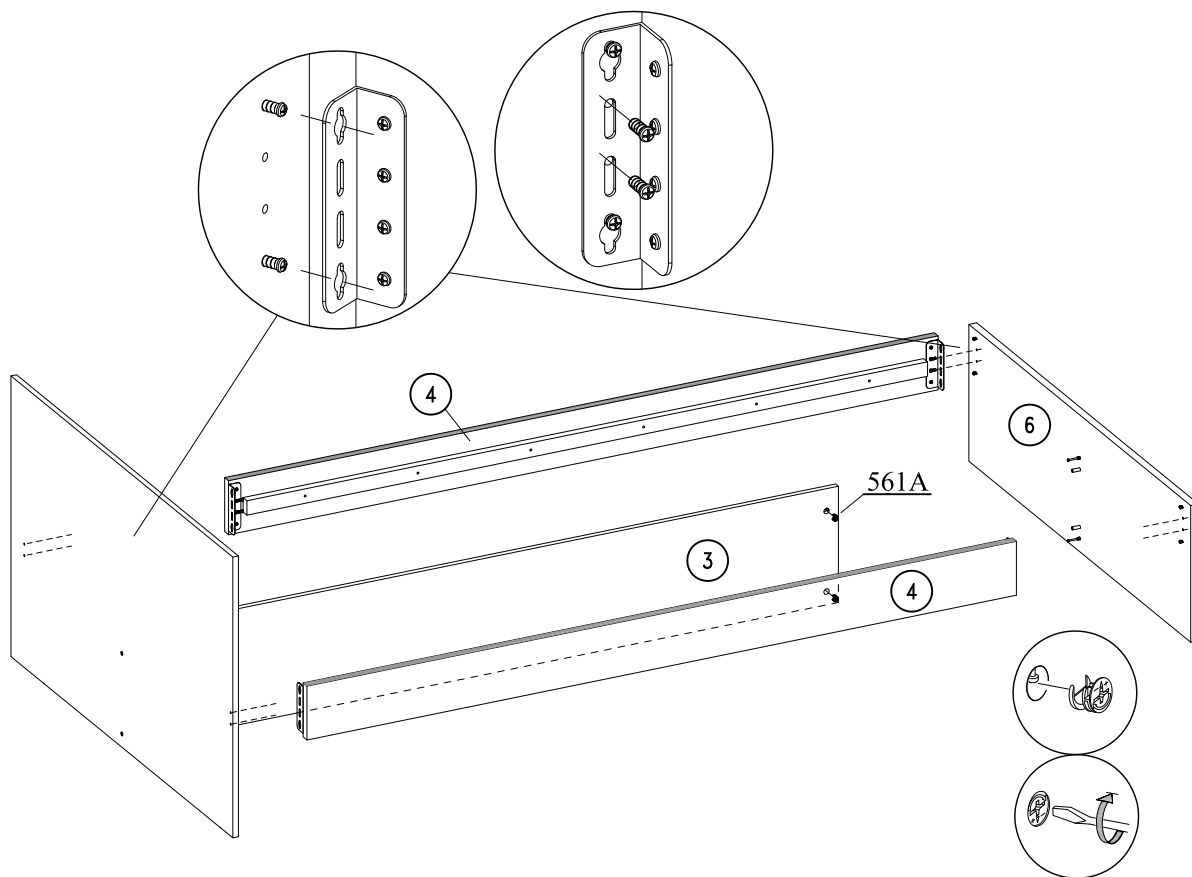
- 559  
x4
- 559  
Ø6x14 x16
- 605  
Ø4x40 x12

3



- 406  
Ø7x50 x2
- 747  
Ø12 x2

4



559



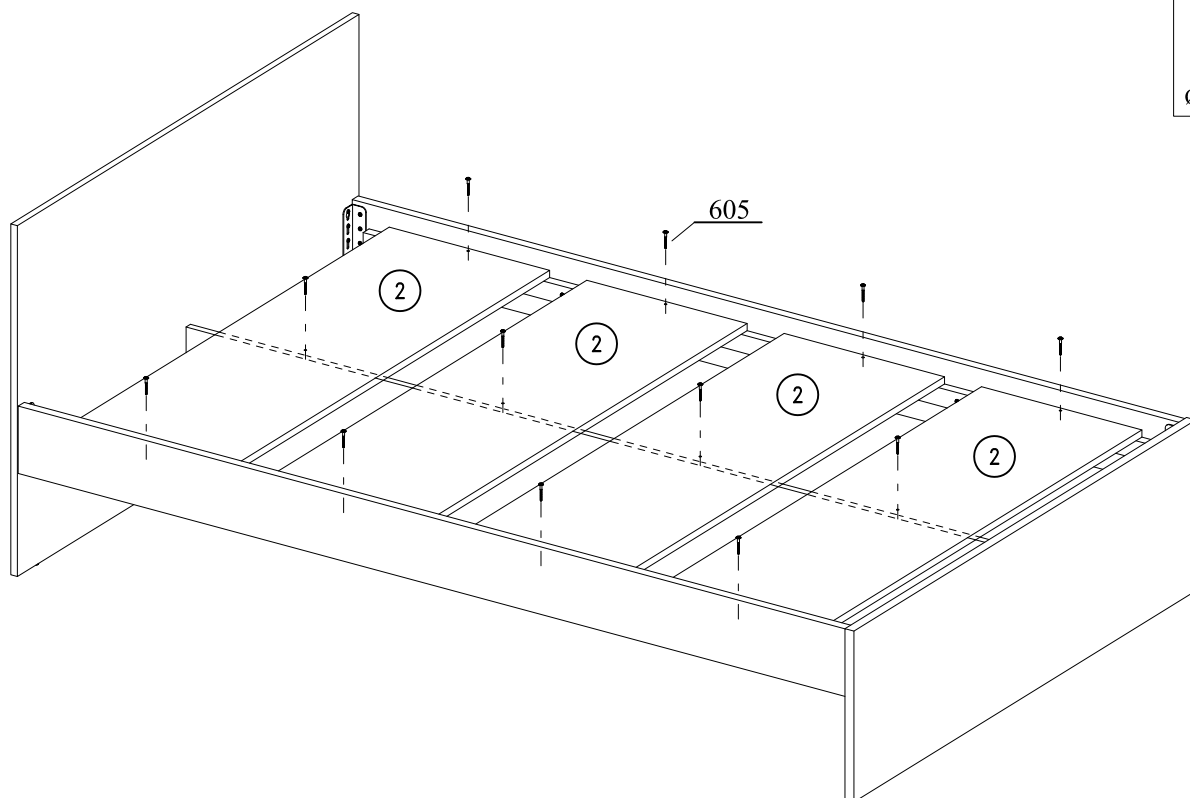
Ø6x14 x8

561A



Ø15x12 x2

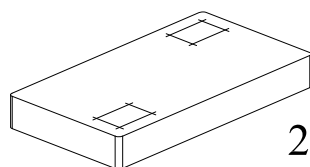
5



605



Ø4x40 x12



2000x1200