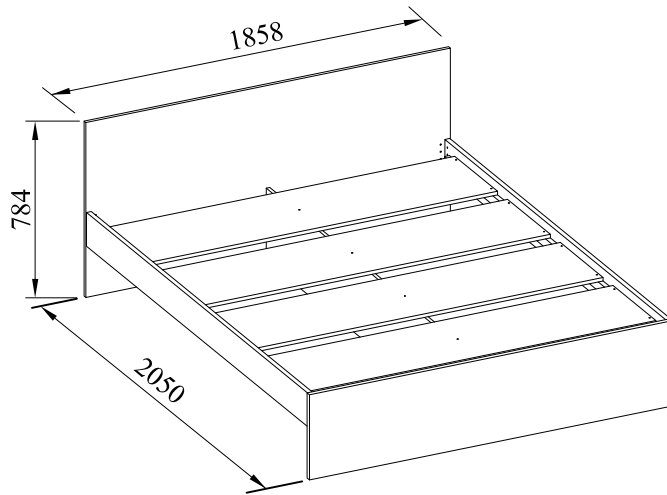
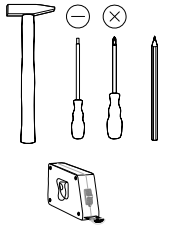
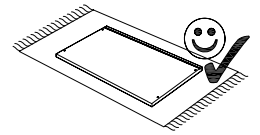
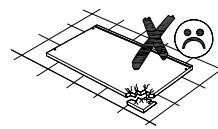
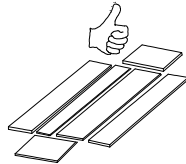
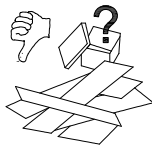
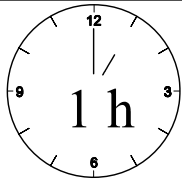
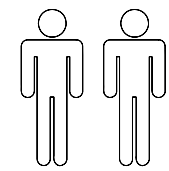
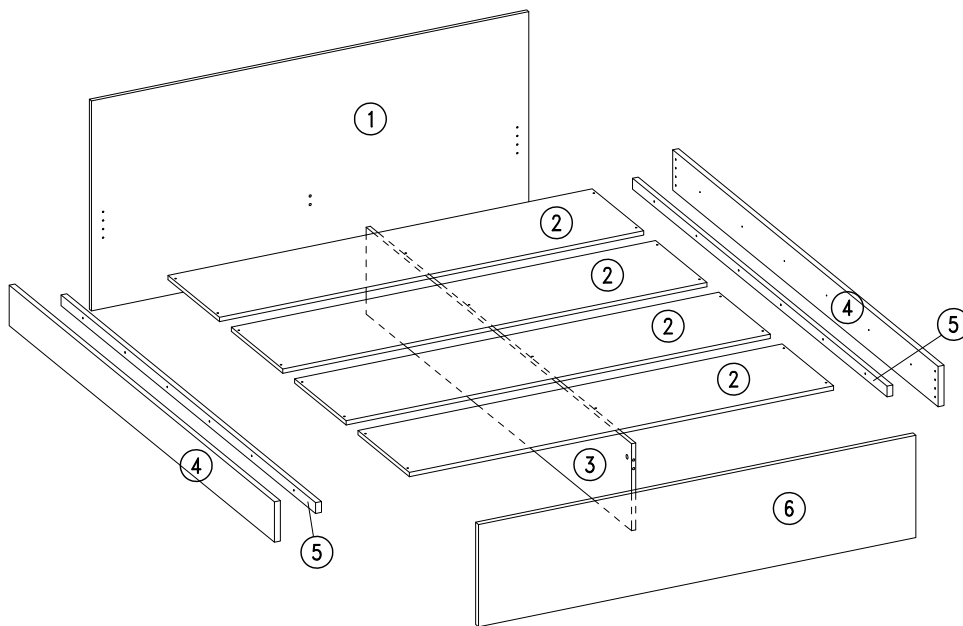


"БРУКЛИН" СБ-3355 \ "BROOKLIN" SB-3355



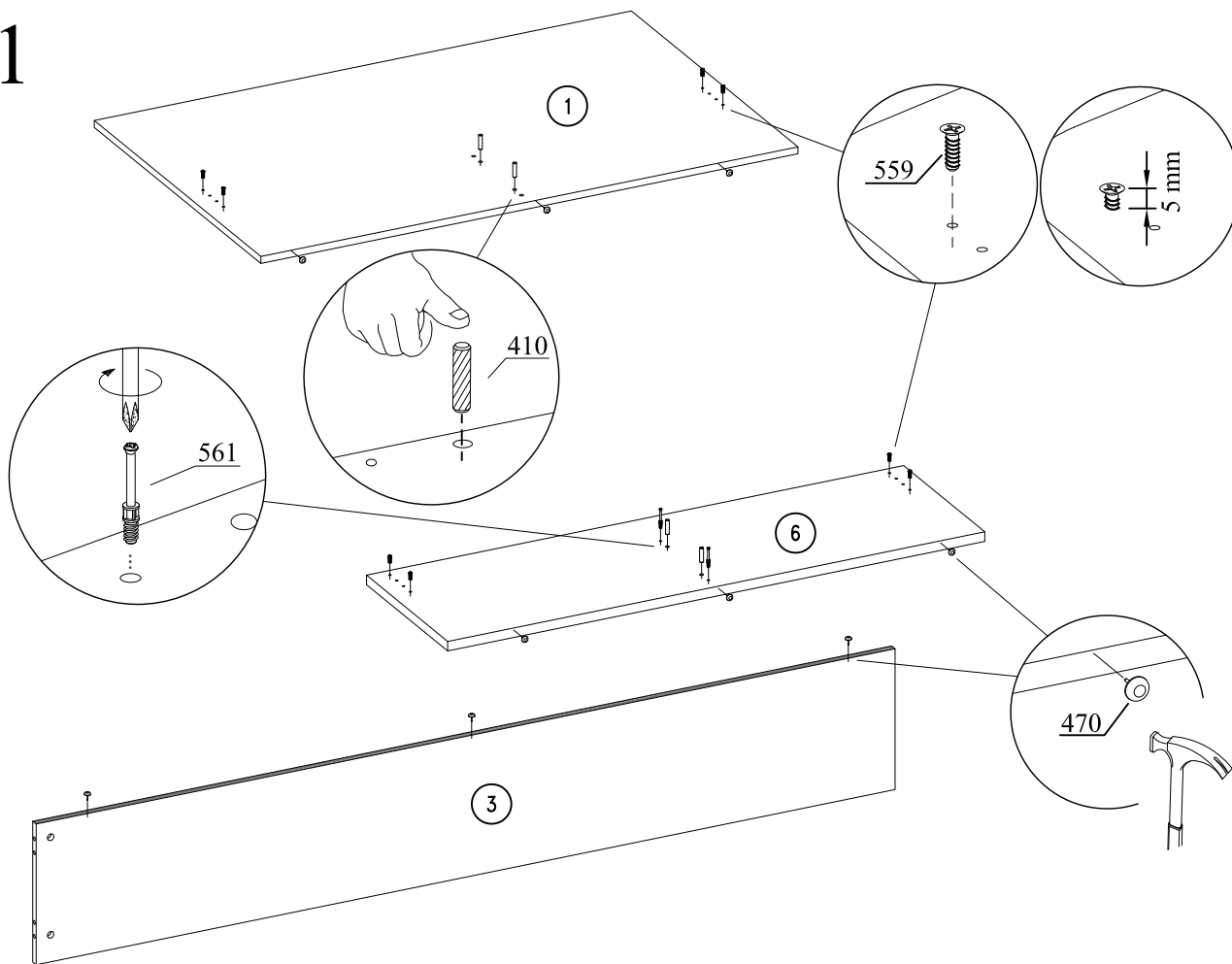
| № | L | B | S | Q | |
|---|------|-----|----|---|---|
| 1 | 1858 | 780 | 16 | 1 | 3 |
| 2 | 1808 | 390 | 16 | 4 | 2 |
| 3 | 2012 | 323 | 16 | 1 | 1 |
| 4 | 2012 | 150 | 22 | 2 | 1 |
| 5 | 1930 | 40 | 22 | 2 | 1 |
| 6 | 1858 | 380 | 22 | 1 | 1 |



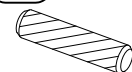
| | | | |
|----------------------------|------------------------------|------------------------------|------------------------------|
| 410 Ø8x30 x4 | 406 Ø7x50 x2 | 747 Ø12 x2 | 748 4 mm x1 |
| 561 Ø7x45 x2 | 561A Ø15x12 x2 | 559 4+32 x1 | 605 Ø4x40 x24 |
| | | | 470 x9 |

0 10 20 30 40 50 60 70 80 90 100 110 120 130 140 150 160 170 180

1

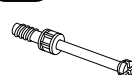


410



Ø8x30 x4

561



Ø7x45 x2

559



Ø6x14 x8

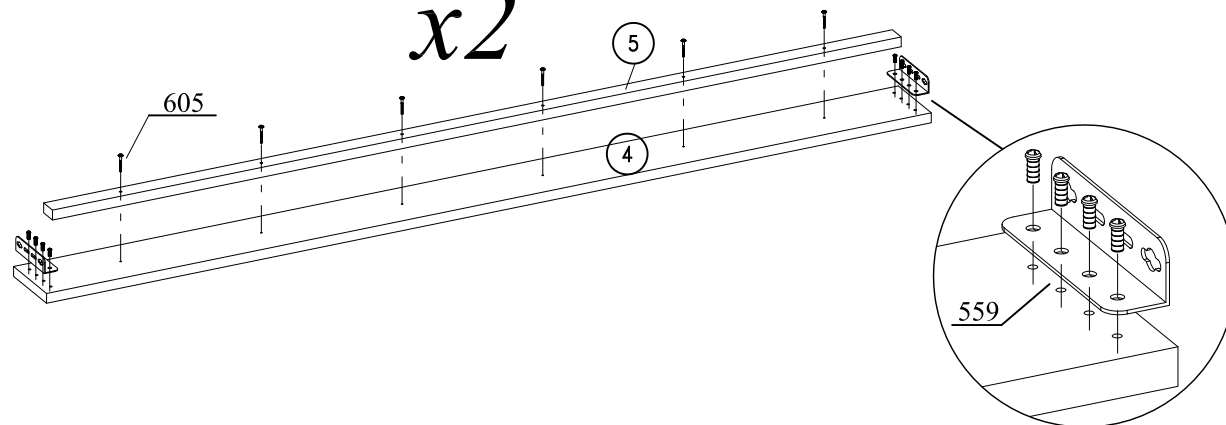
470



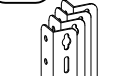
x9

2

x2



559



x4

559



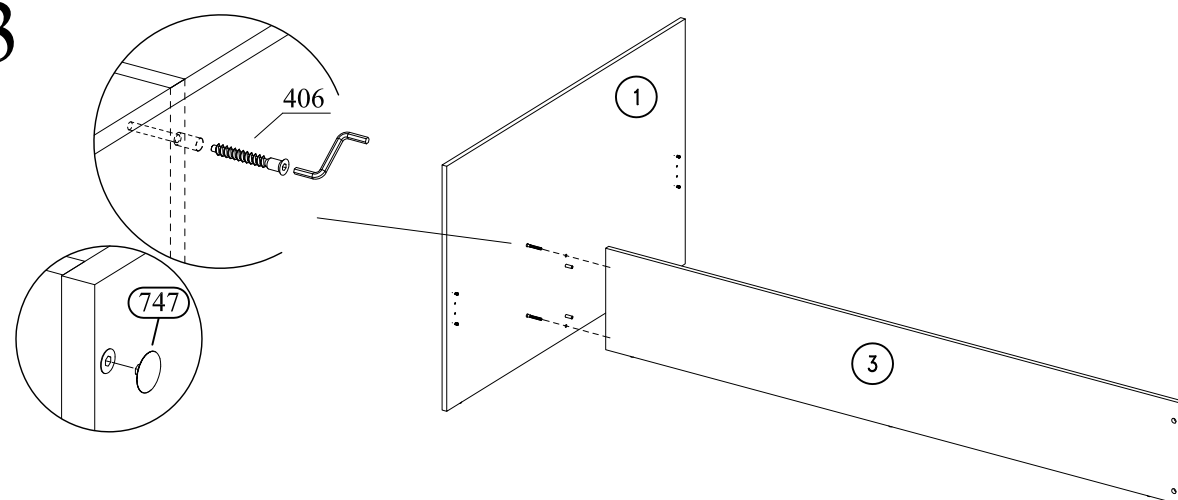
Ø6x14 x16

605

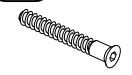


Ø4x40 x12

3



406



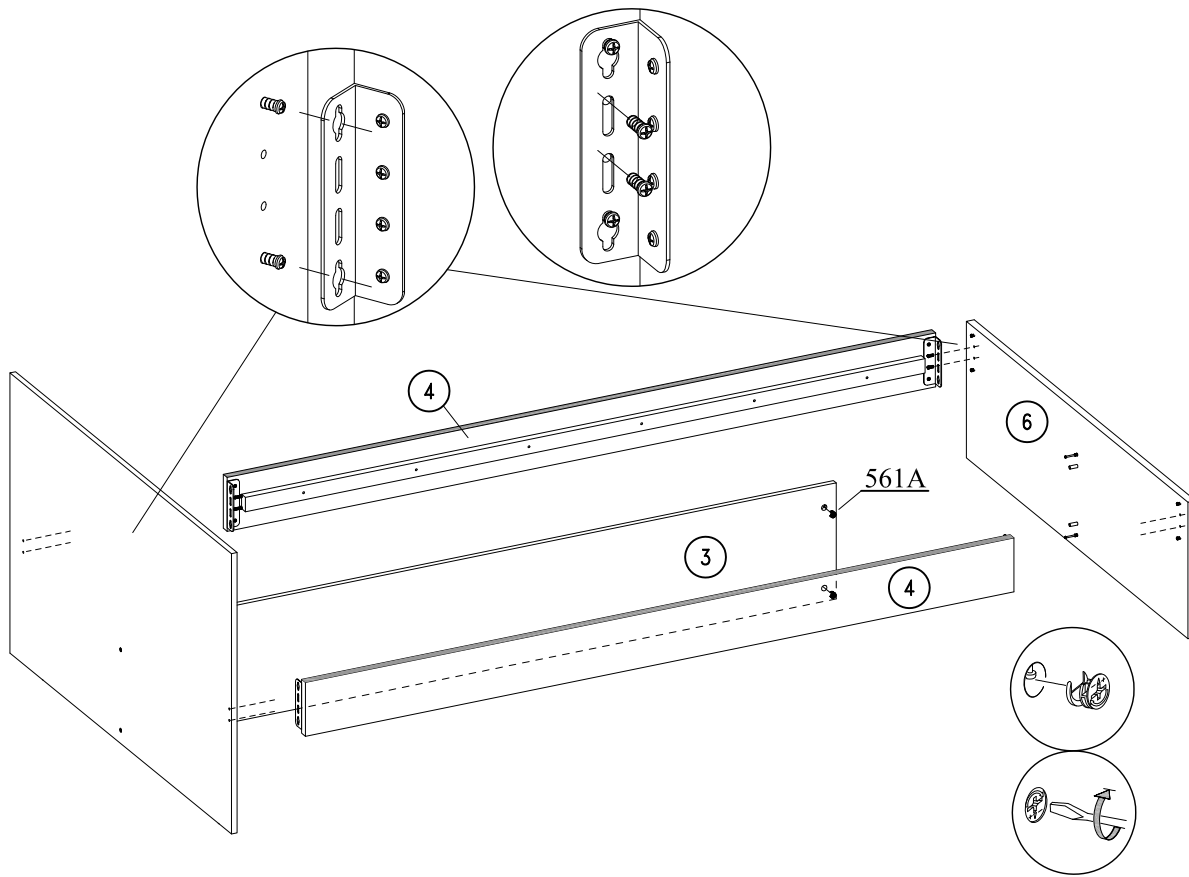
Ø7x50 x2

747



Ø12 x2

4



559



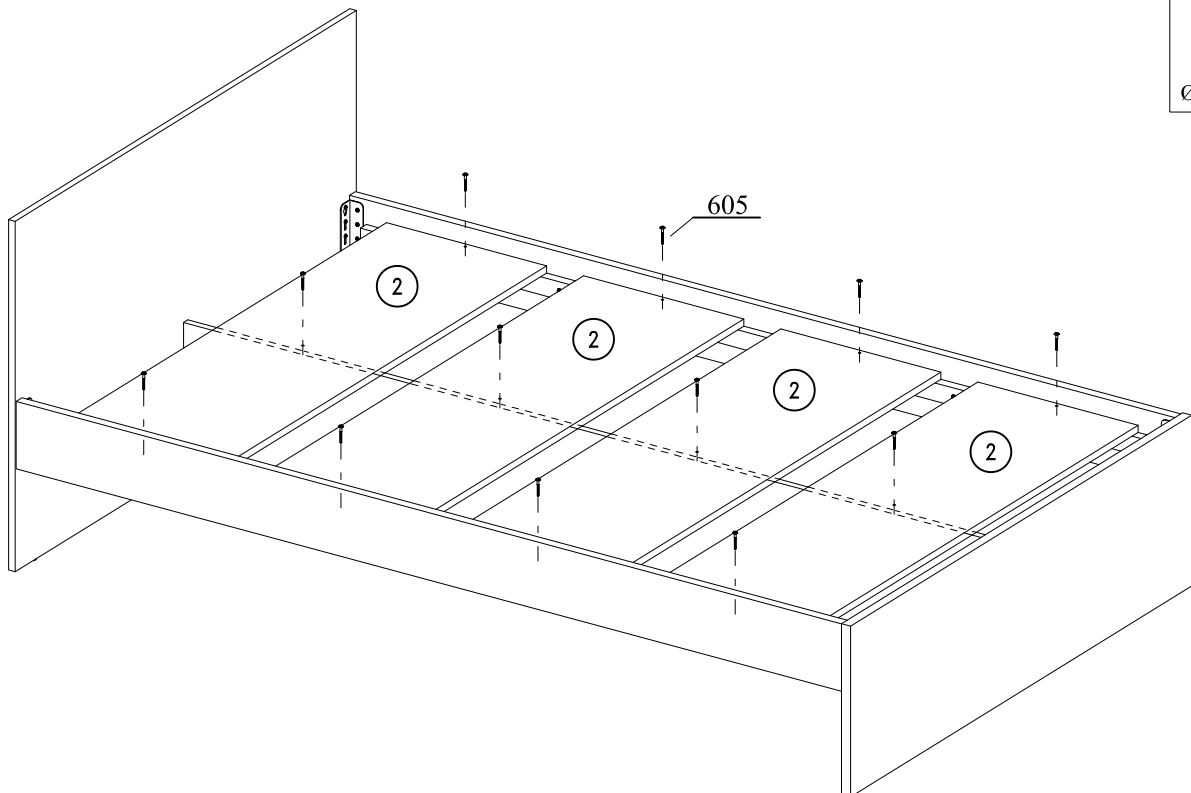
Ø6x14 x8

561A



Ø15x12 x2

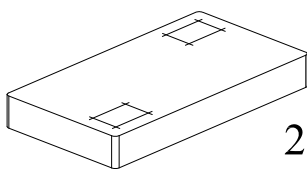
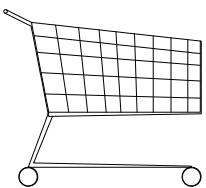
5



605



Ø4x40 x12



2000x1800