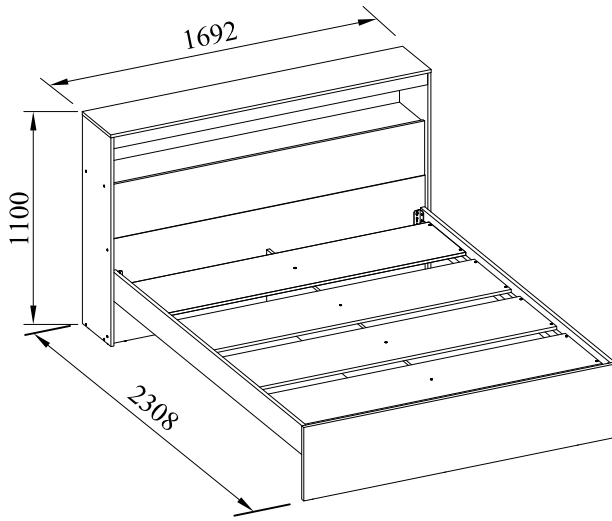
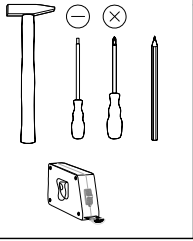
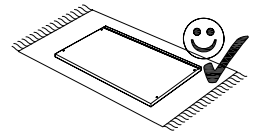
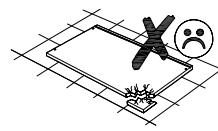
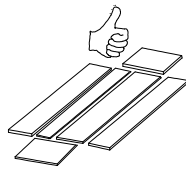
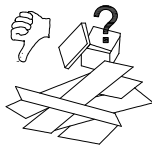
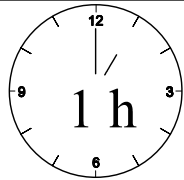
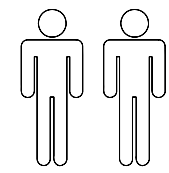
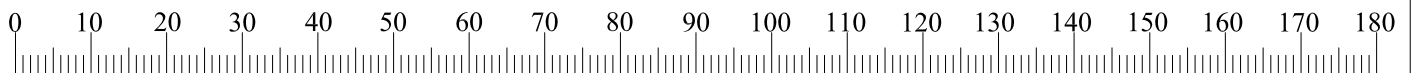
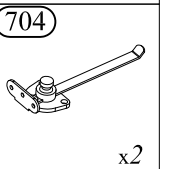
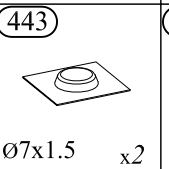
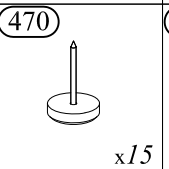
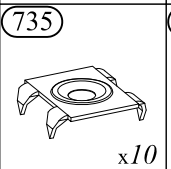
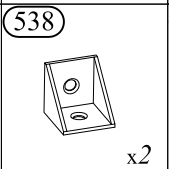
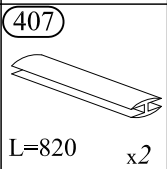
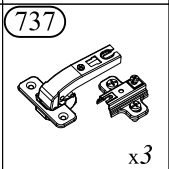
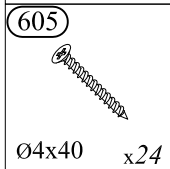
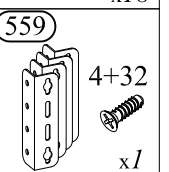
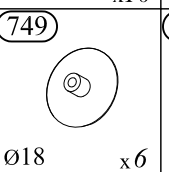
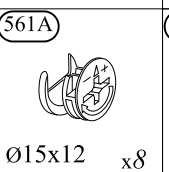
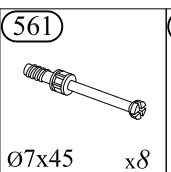
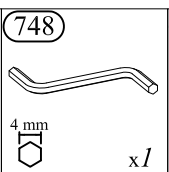
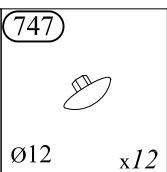
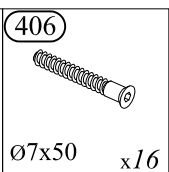
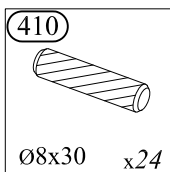
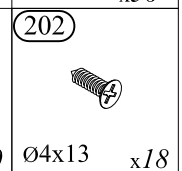
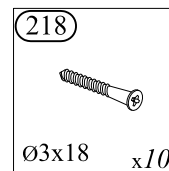
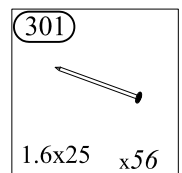
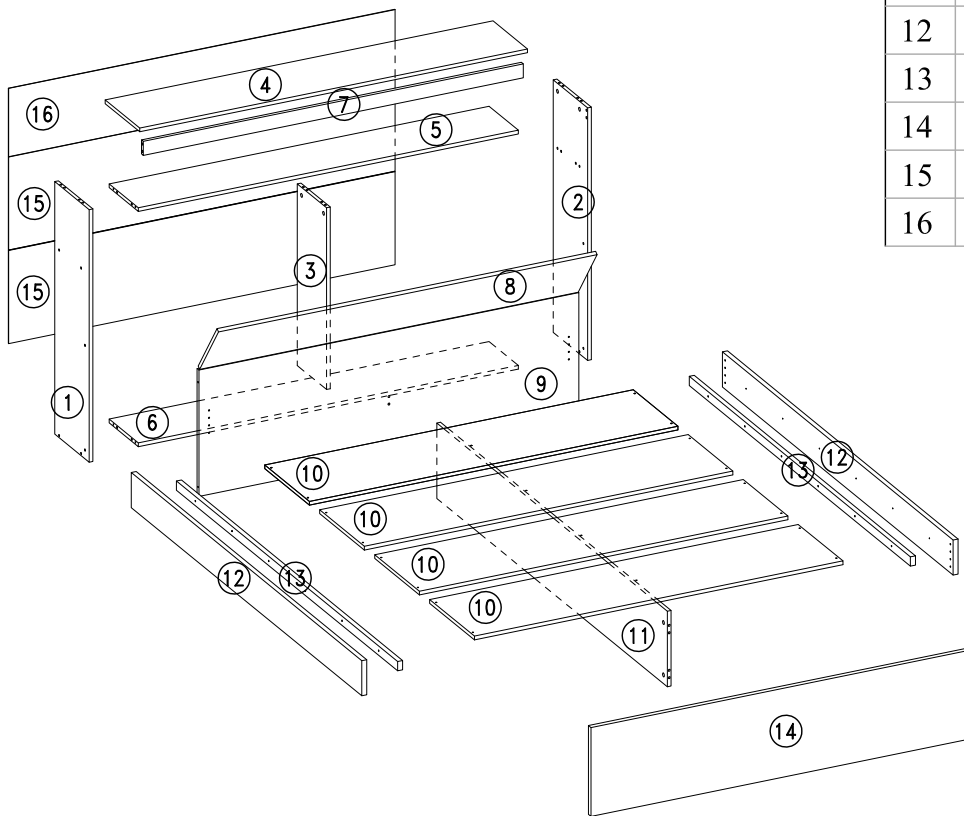


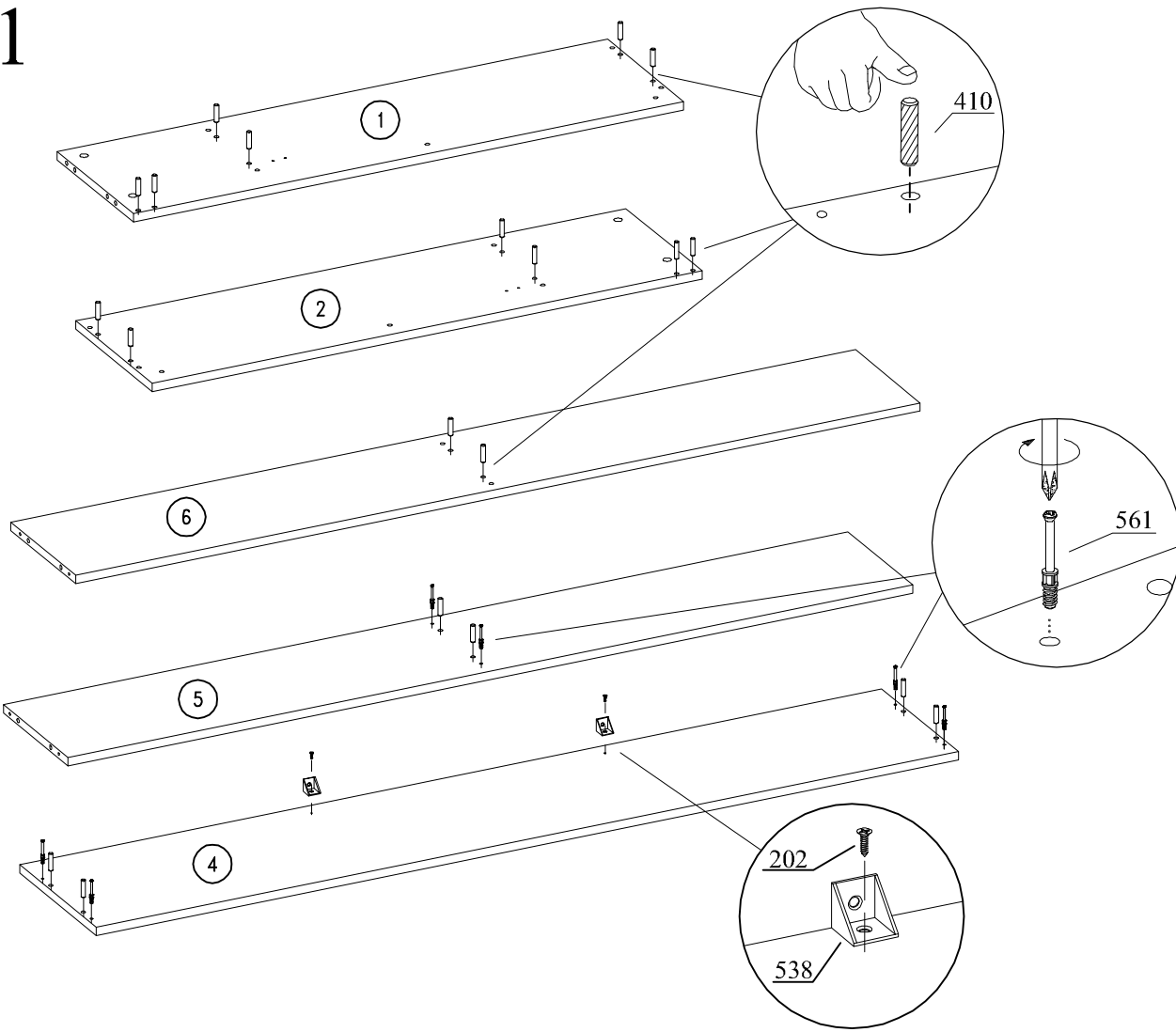
"БРУКЛИН" СБ-3356 \ "BROOKLIN" SB-3356



№	L	B	S	Q	☐
1	1080	300	16	1	1
2	1080	300	16	1	1
3	777	255	16	1	1
4	1692	301	16	1	1
5	1658	255	16	1	1
6	1658	255	16	1	1
7	1658	60	16	1	1
8	1652	280	16	1	1
9	1658	540	16	1	4
10	1608	390	16	4	3
11	2012	323	16	1	2
12	2012	150	22	2	2
13	1930	40	22	2	2
14	1658	380	22	1	2
15	1686	398	3	2	4
16	1686	292	3	1	2

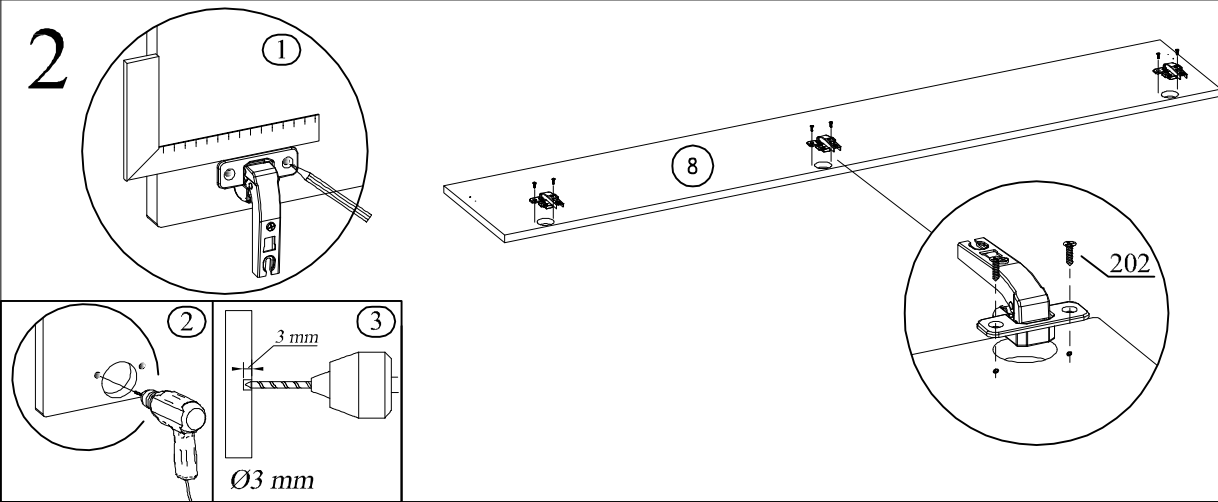


1



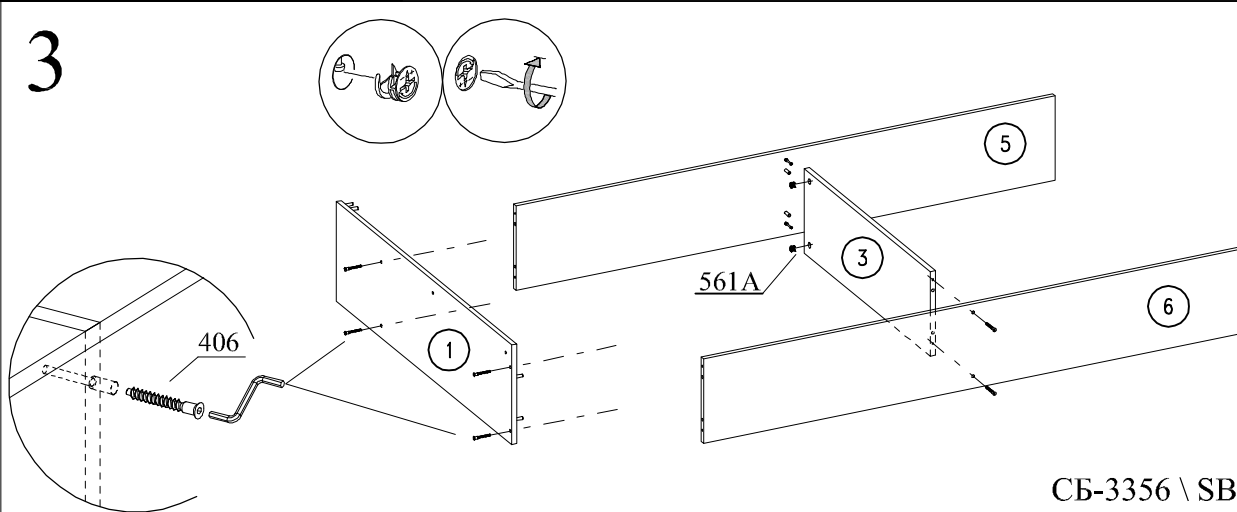
- (410) $\varnothing 8 \times 30$ x20
- (561) $\varnothing 7 \times 45$ x6
- (538) x2
- (202) $\varnothing 4 \times 13$ x2

2

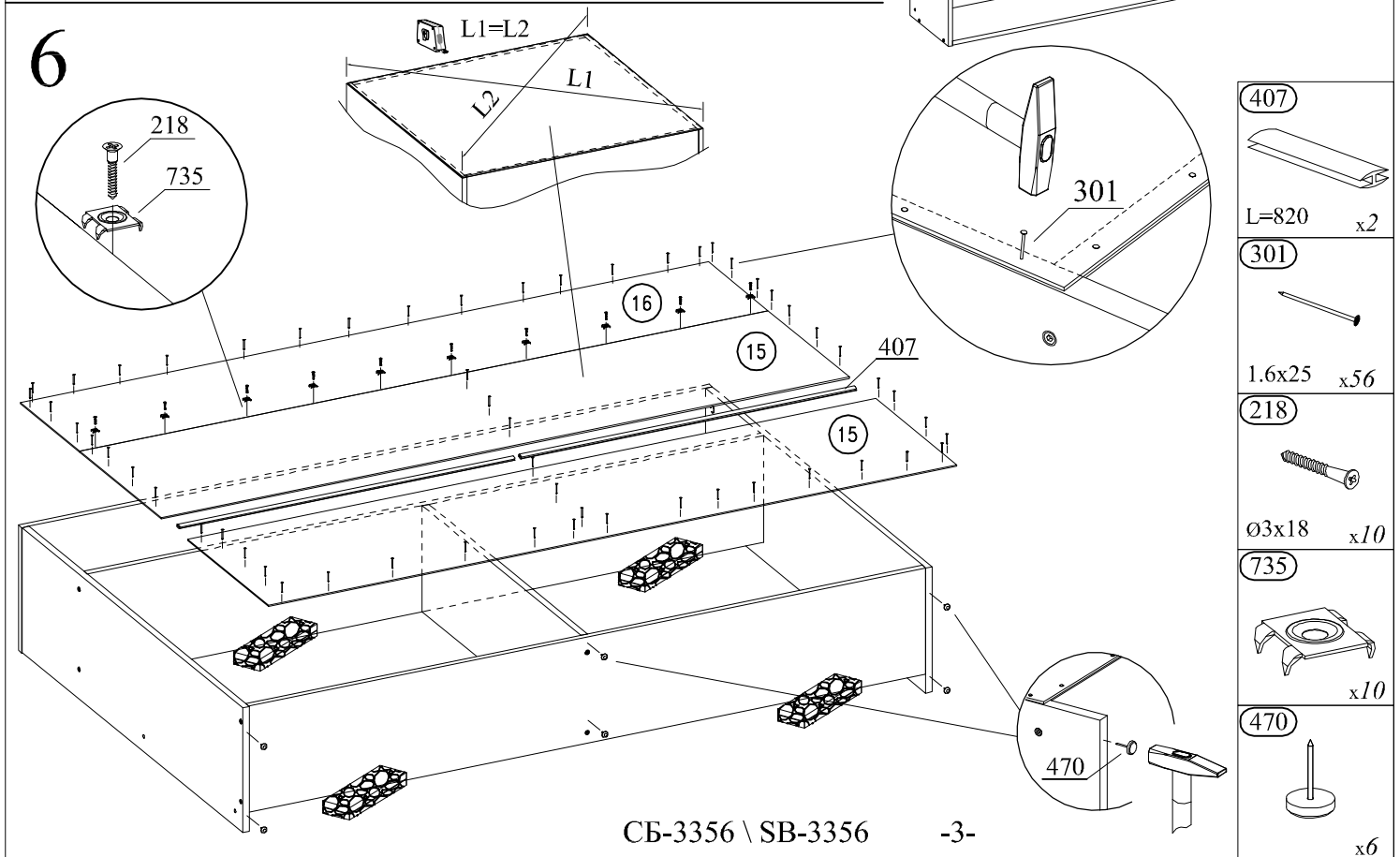
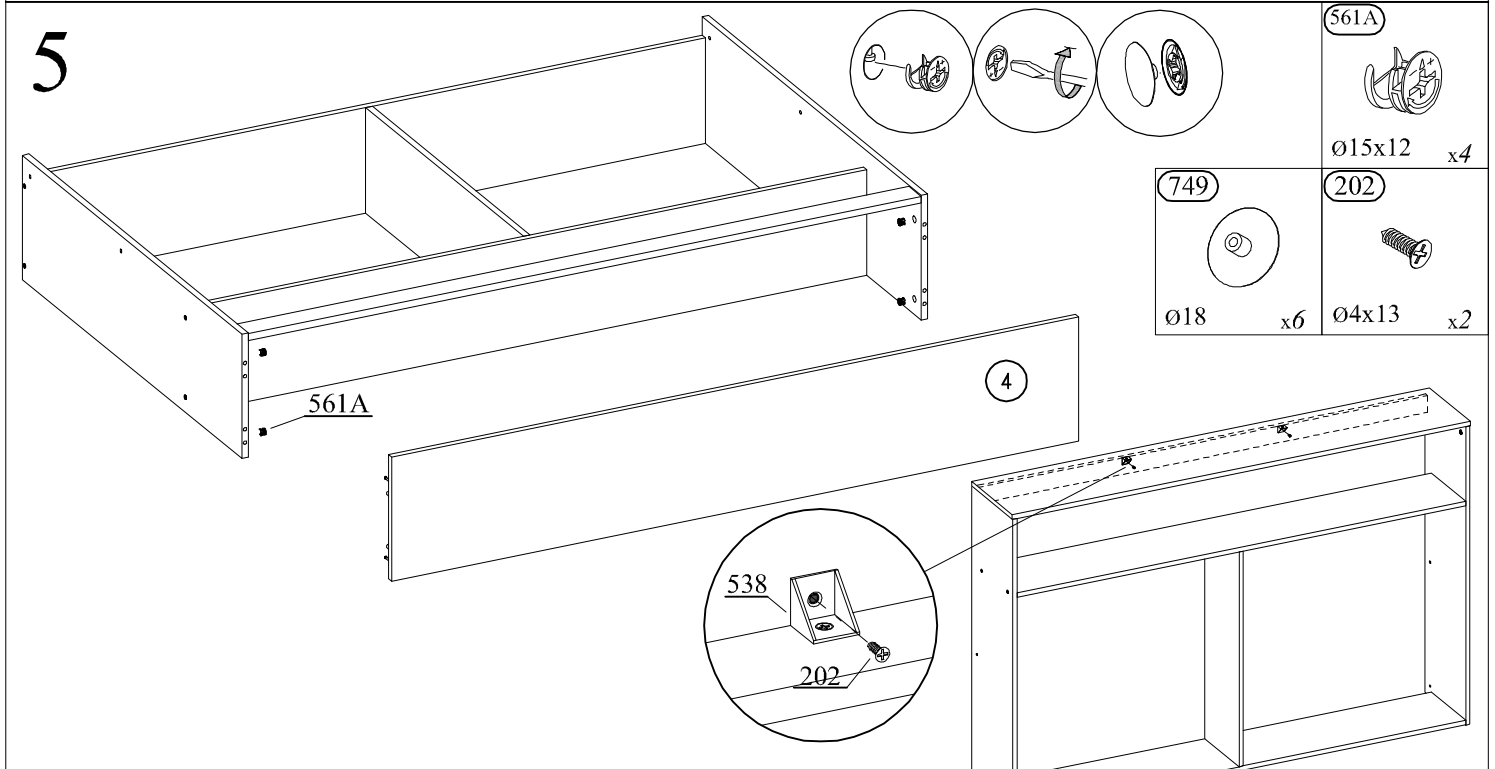
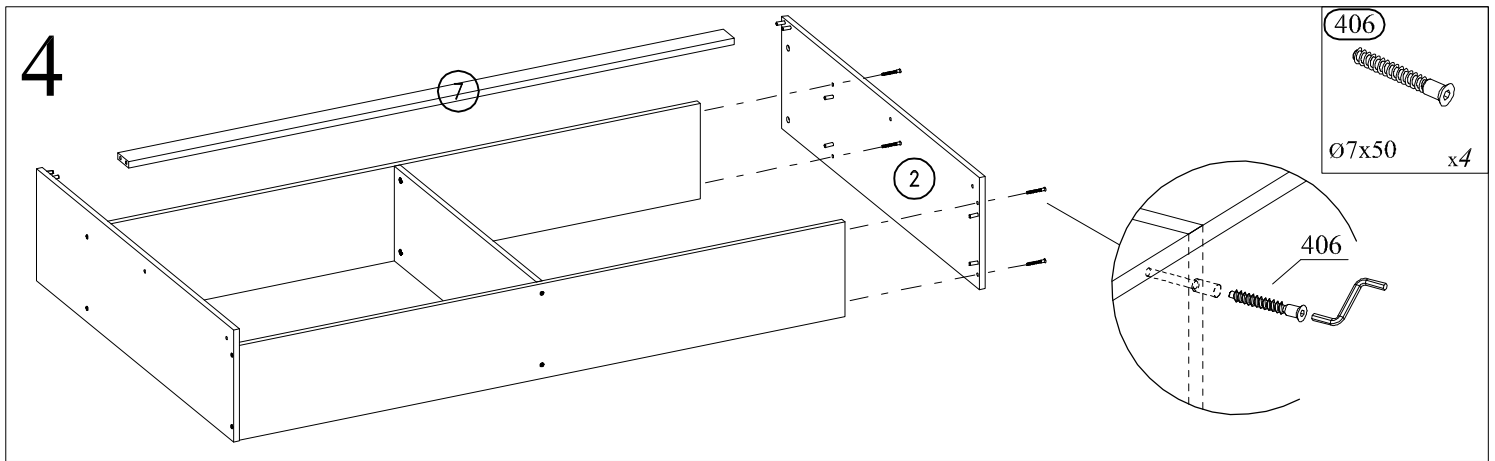


- (737) x3
- (202) $\varnothing 4 \times 13$ x6

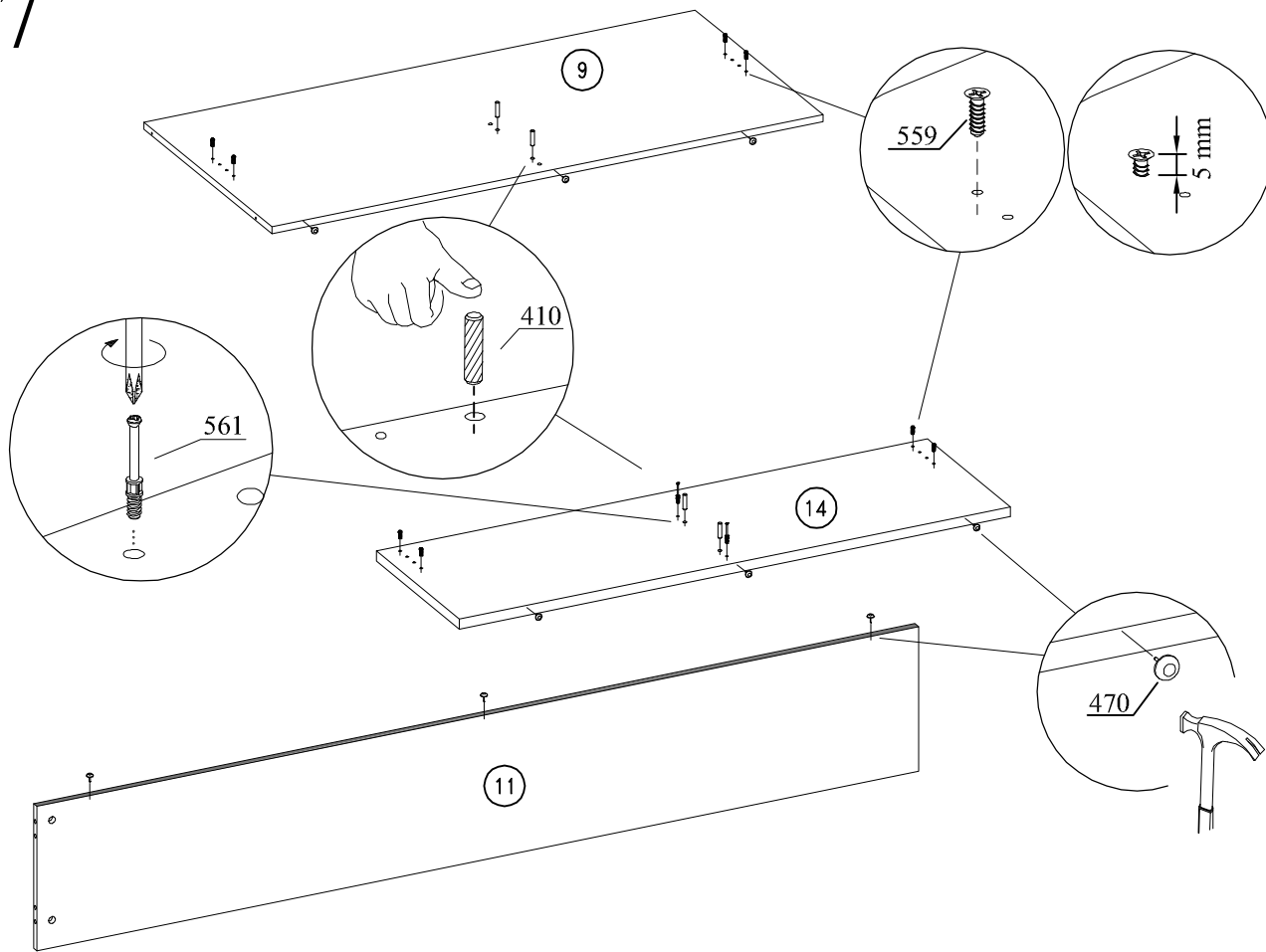
3

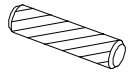
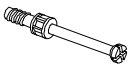

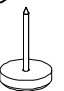


- (406) $\varnothing 7 \times 50$ x6
- (561A) $\varnothing 15 \times 12$ x2

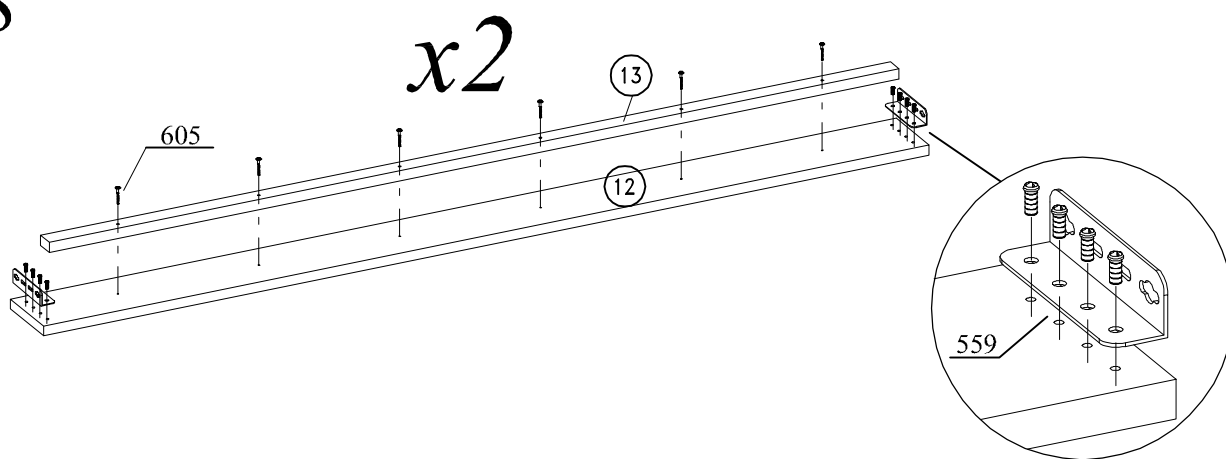


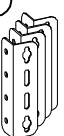


7



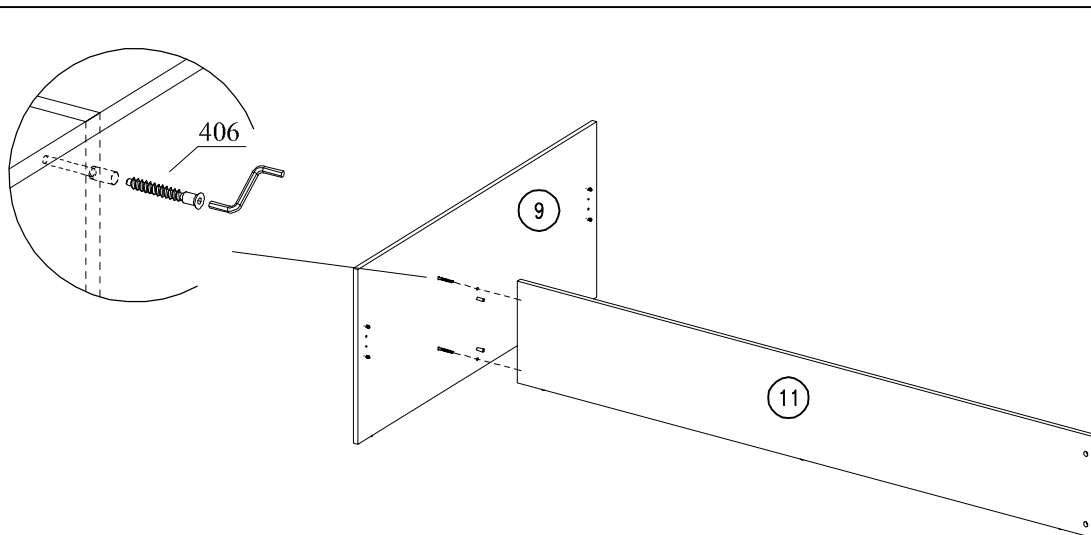
- (410)  $\varnothing 8 \times 30$ x4
- (561)  $\varnothing 7 \times 45$ x2
- (559)  $\varnothing 6 \times 14$ x8
- (470)  x9

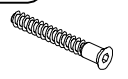
8



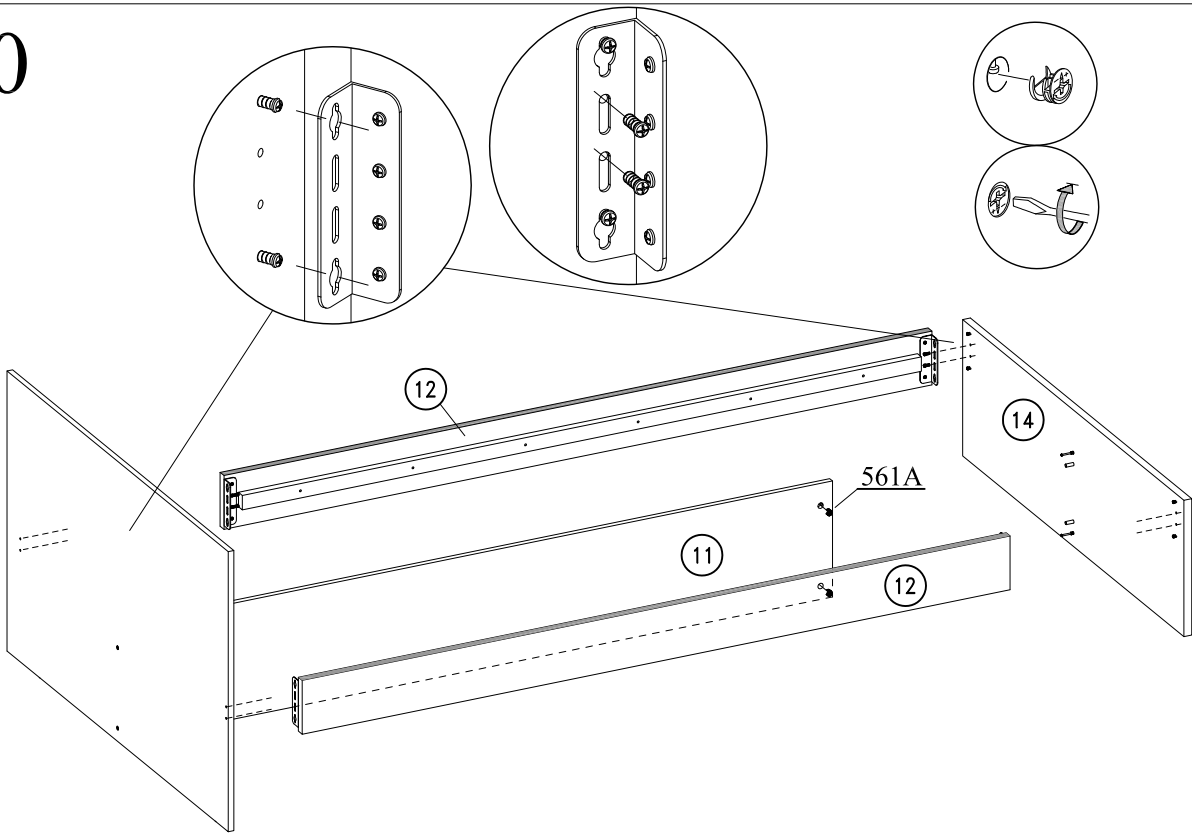
- (559)  x4
- (559)  $\varnothing 6 \times 14$ x16
- (605)  $\varnothing 4 \times 40$ x12

9



- (406)  $\varnothing 7 \times 50$ x2

10



559



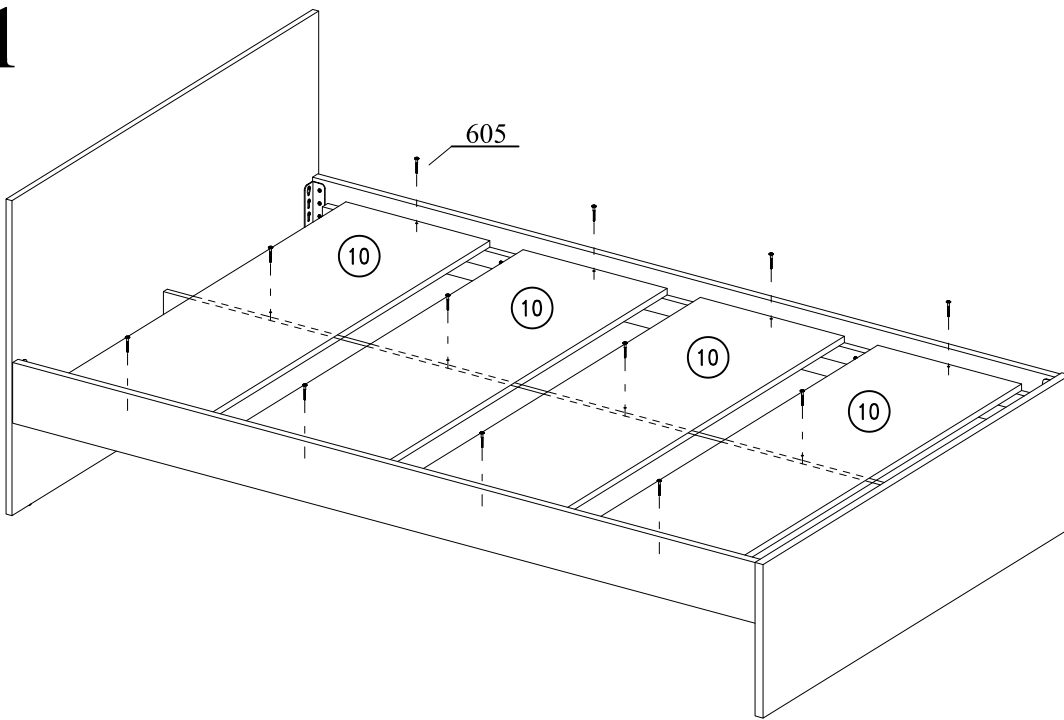
Ø6x14 x8

561A



Ø15x12 x2

11

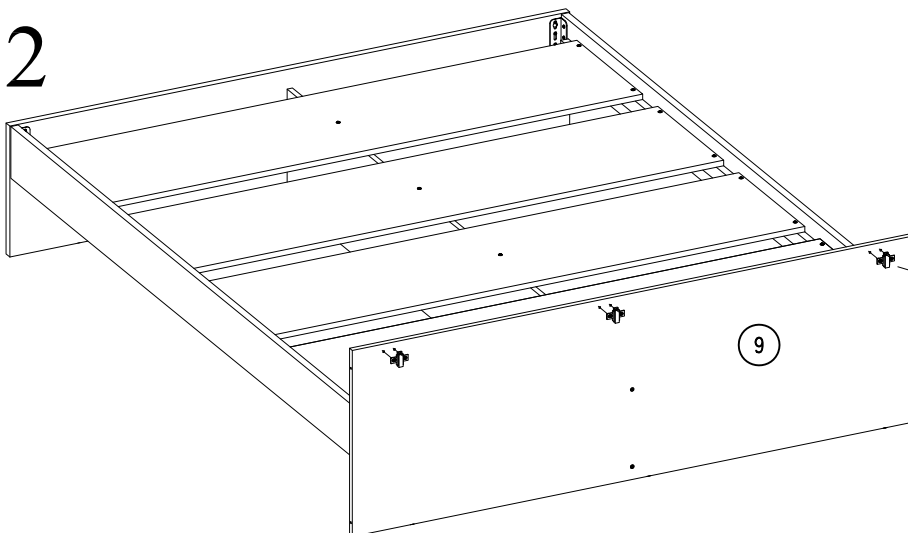


605



Ø4x40 x12

12

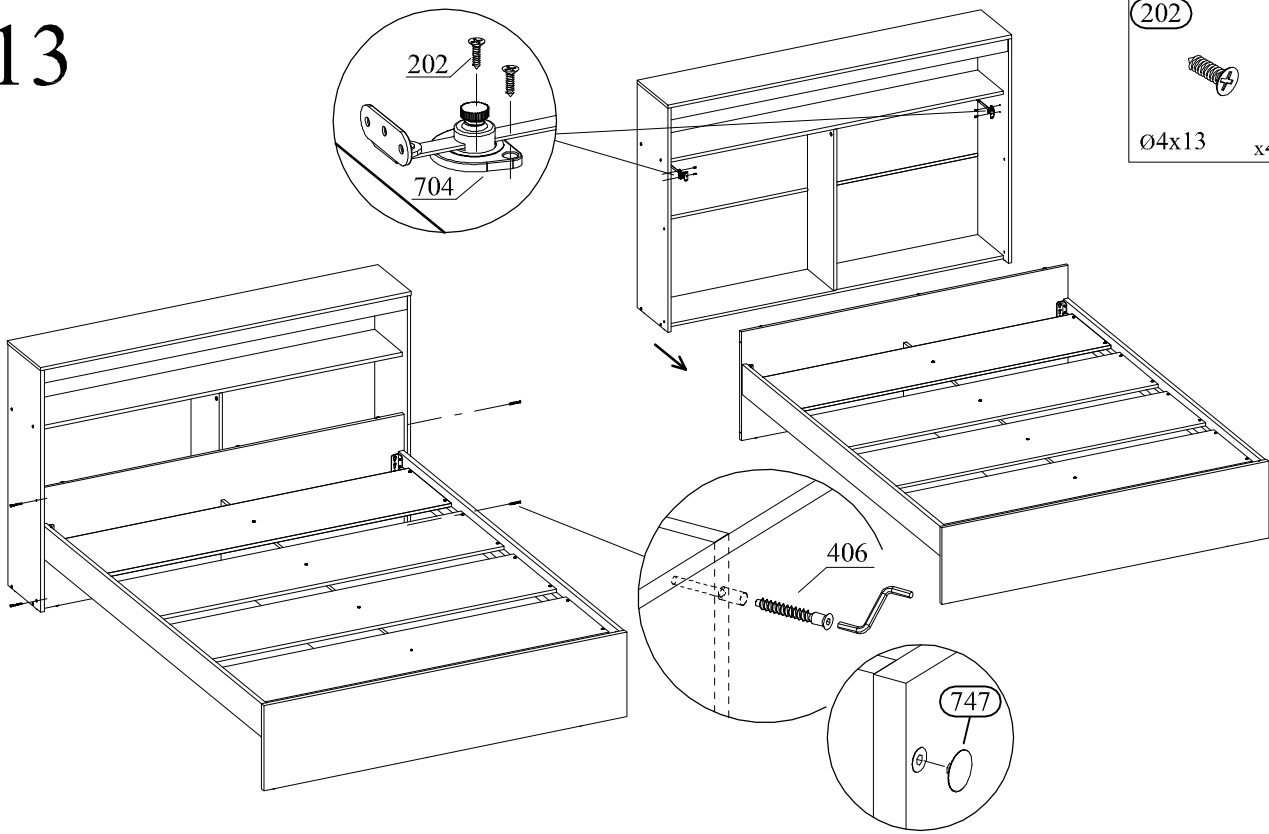


737



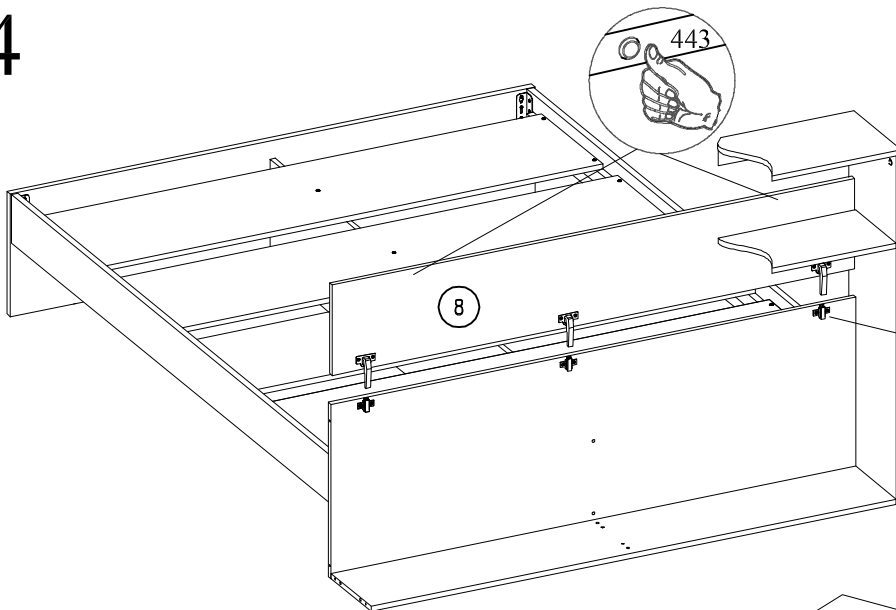
x3

13

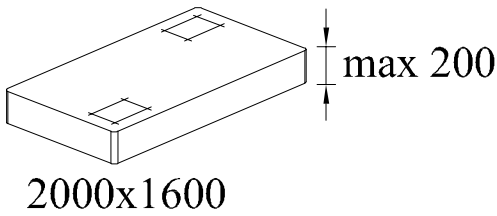
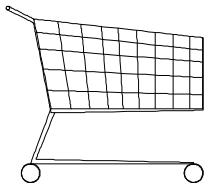


202		Ø4x13	x4
406		Ø7x50	x4
747		Ø12	x12
704			x2

14



443		Ø7x1.5	x2
-----	--	--------	----



202		Ø4x13	x4
-----	--	-------	----

