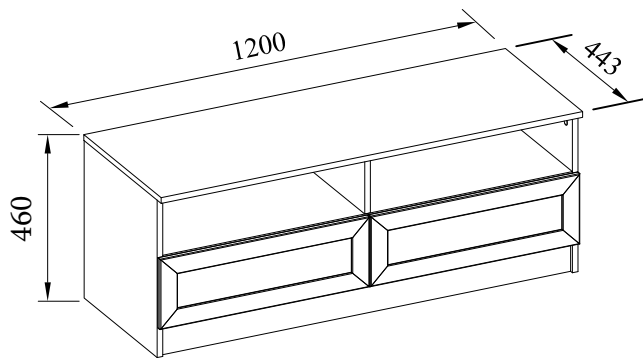
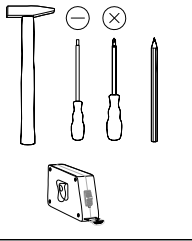
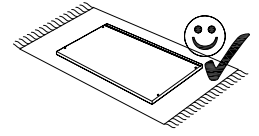
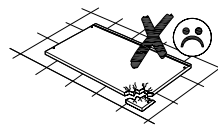
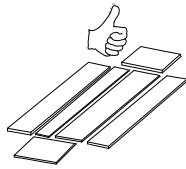
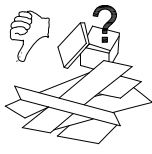
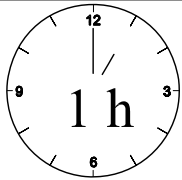
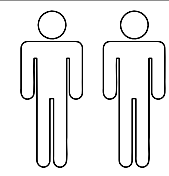
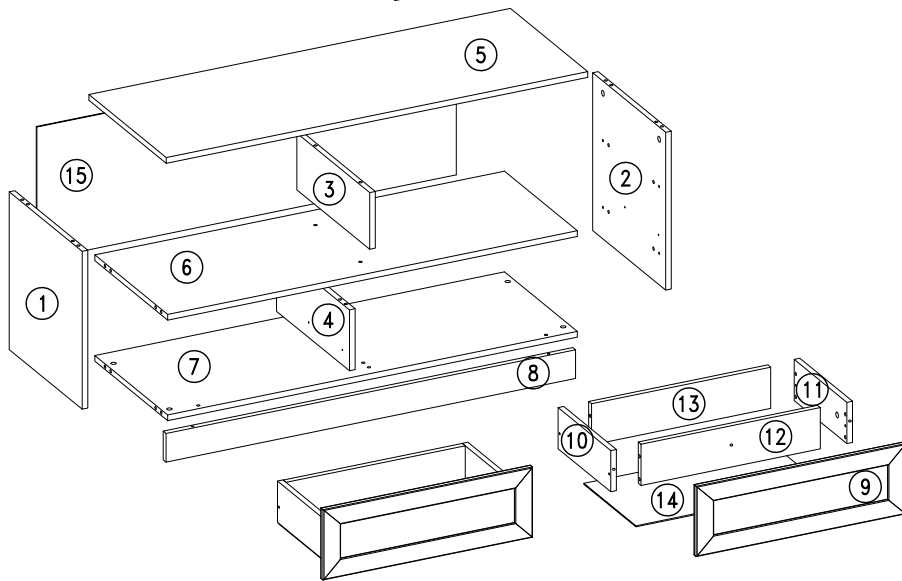


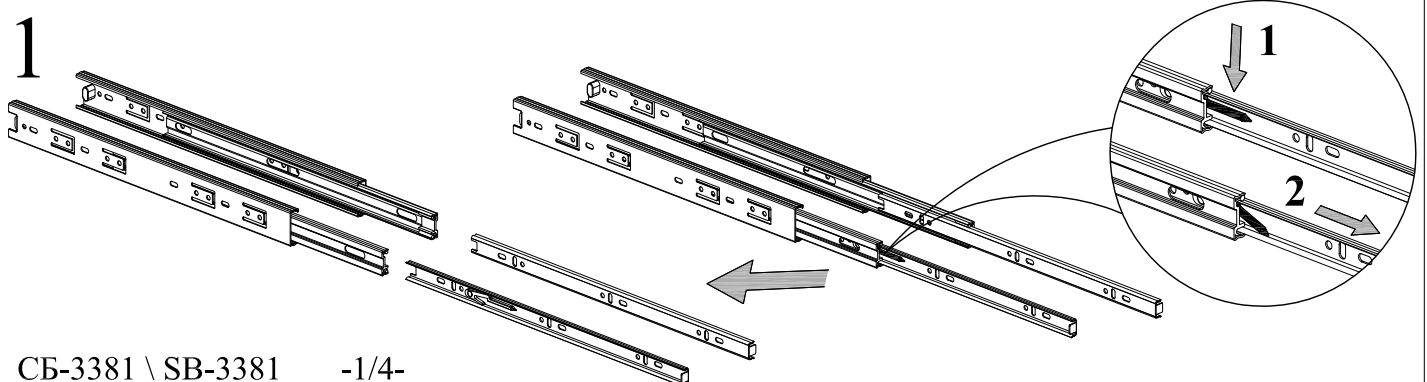
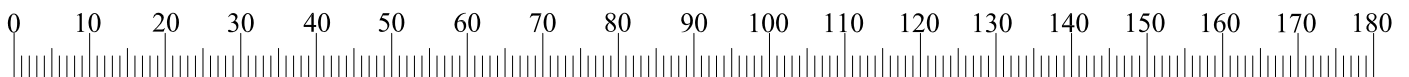
# "Твин" СБ-3381 \ "Twin" SB-3381

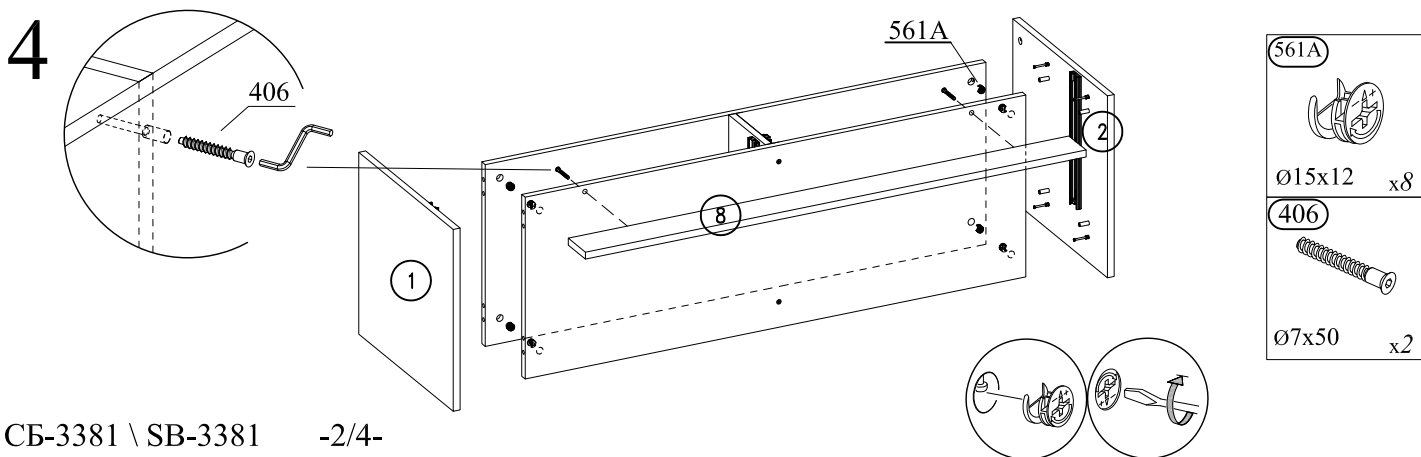
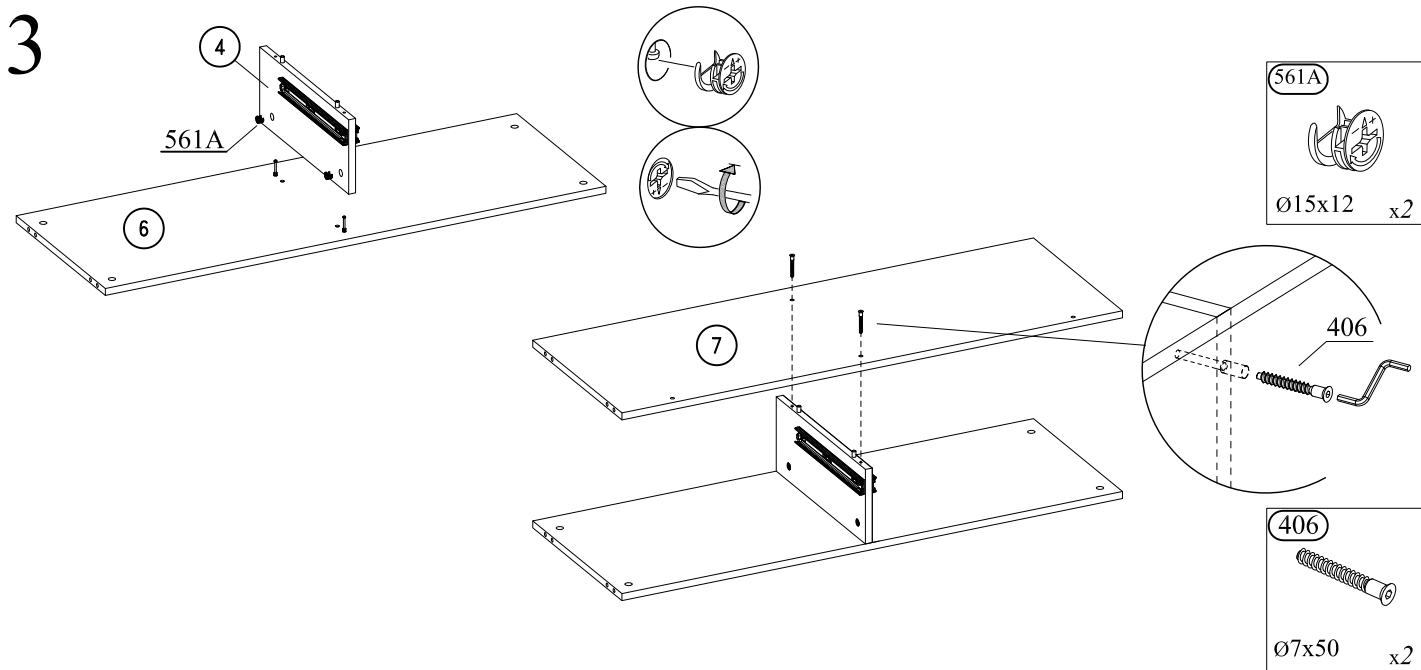
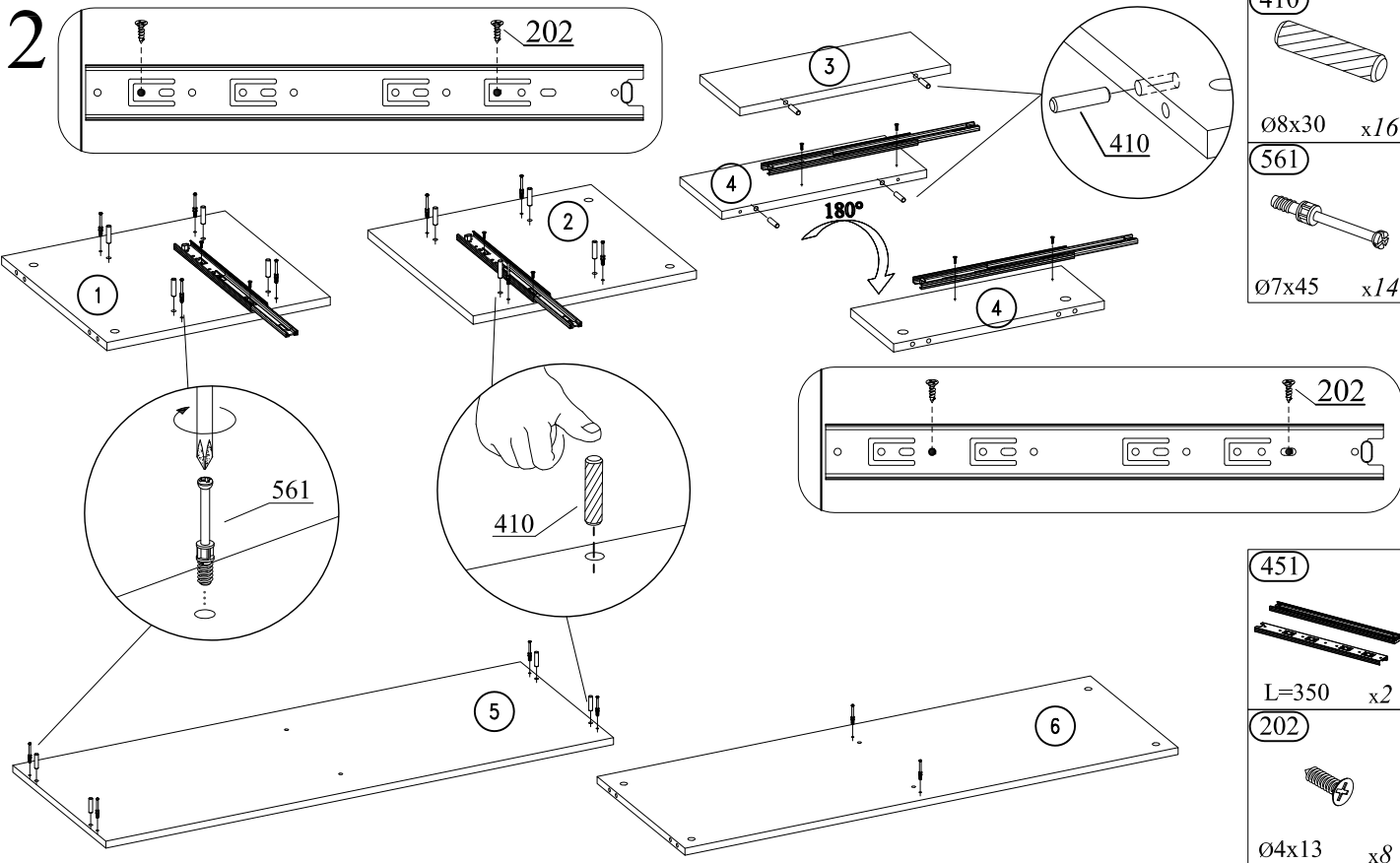


№	L	B	S	Q	☐
1	440	415	16	1	1
2	440	415	16	1	1
3	158	414	16	1	1
4	170	415	16	1	1
5	1200	440	16	1	1
6	1166	415	16	1	1
7	1166	415	16	1	1
8	1166	80	16	1	1
9	596	196	15	2	2
10	400	115	16	2	1
11	400	115	16	2	1
12	518	115	16	2	1
13	518	115	16	2	1
14	548	396	3	2	1
15	1194	372	3	1	1

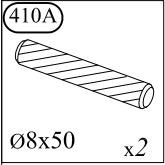
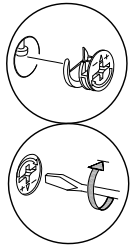
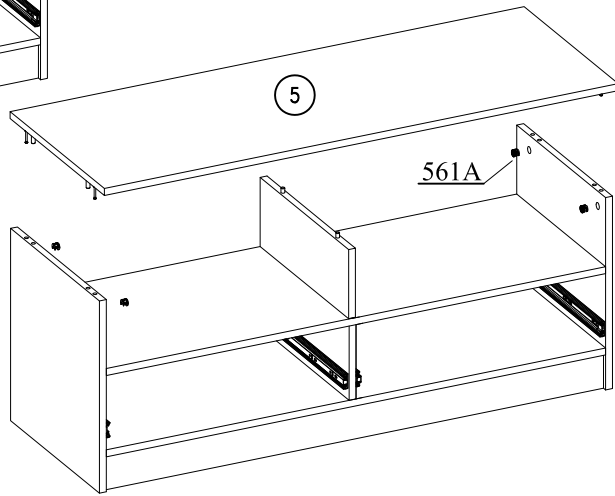
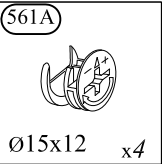
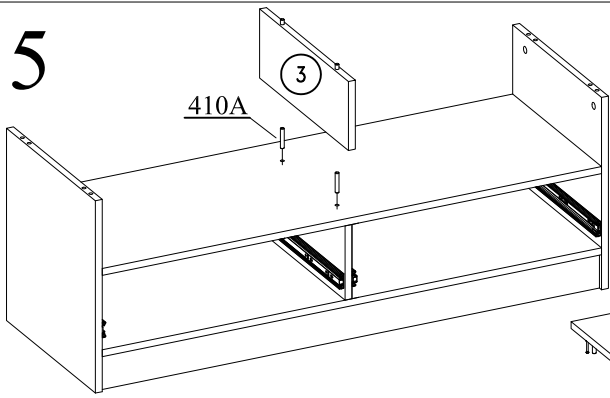


 1.6x25 x38	 Ø3x18 x36	 Ø4x13 x16	 Ø4x35 x8	 Ø8x30 x32	 Ø8x50 x2
 Ø7x50 x4	 4mm x1	 Ø7x45 x18	 Ø15x12 x18	 Ø18 x8	 L=350 x2
				 x4	 M4x30 x2

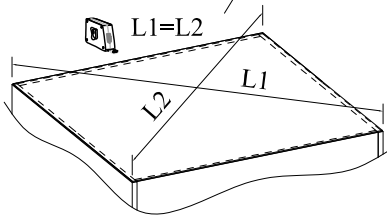
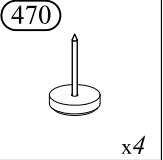
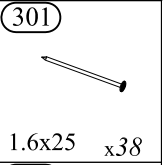
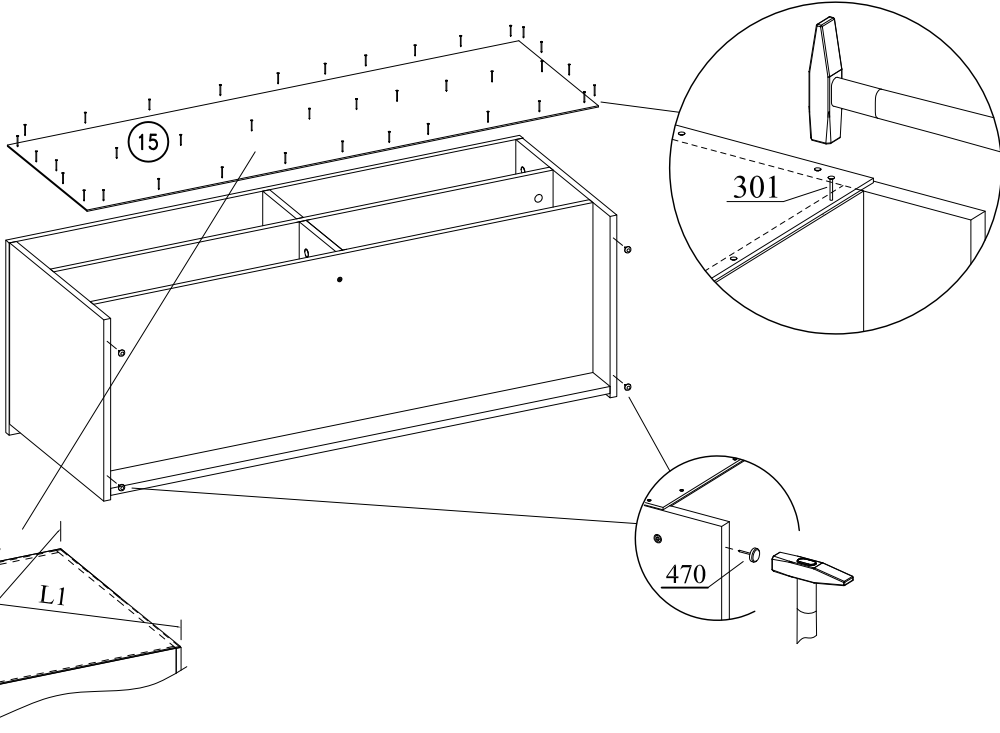




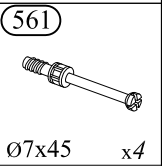
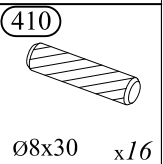
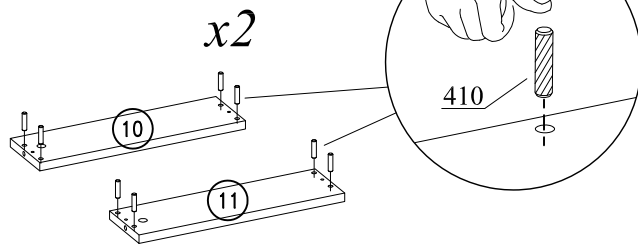
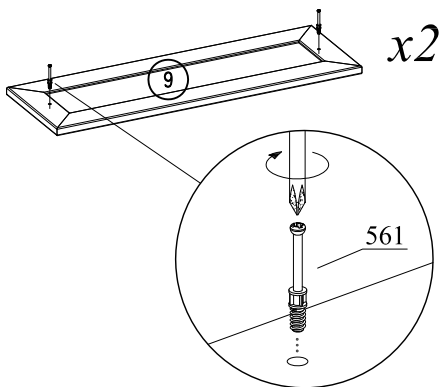
5

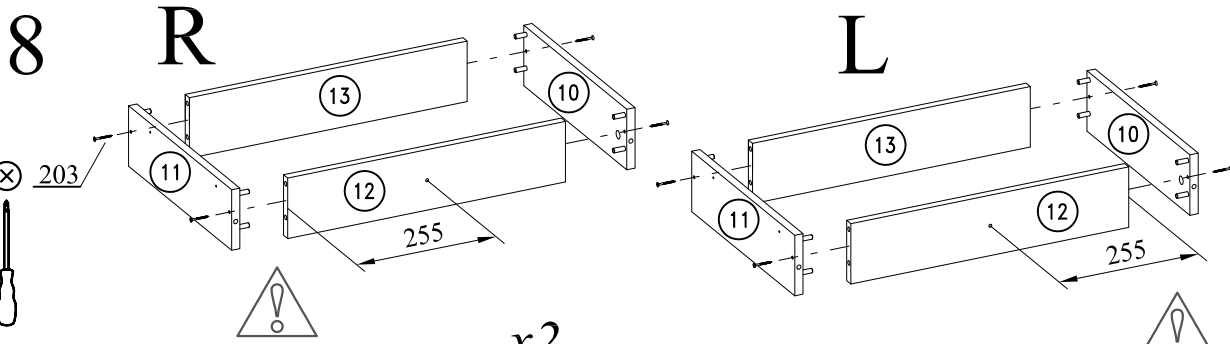


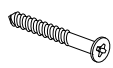

6

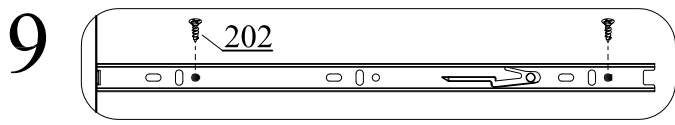
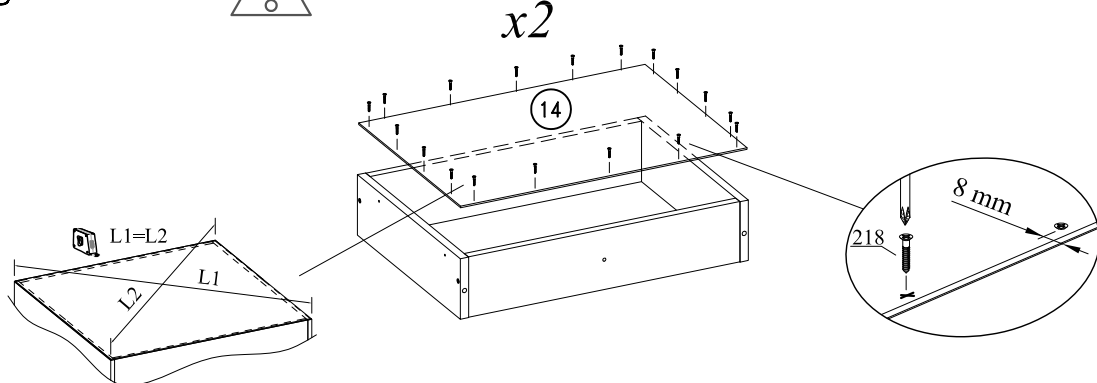




7

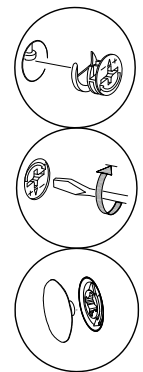
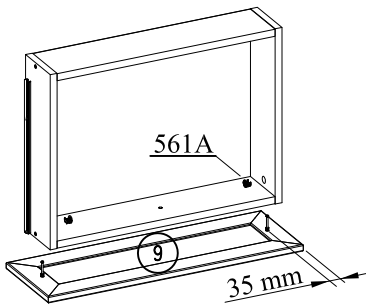
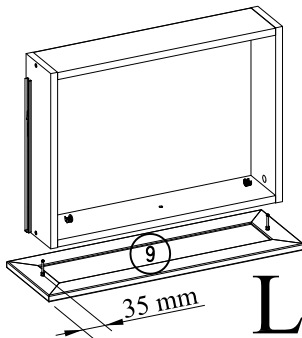
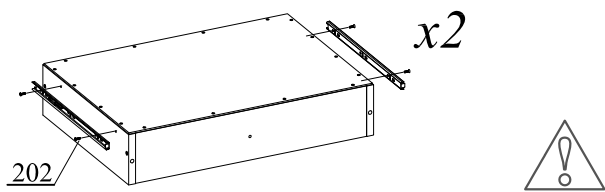






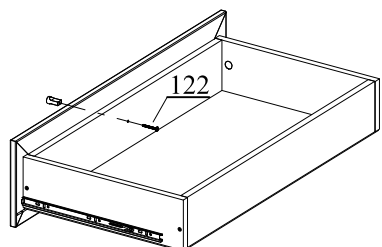
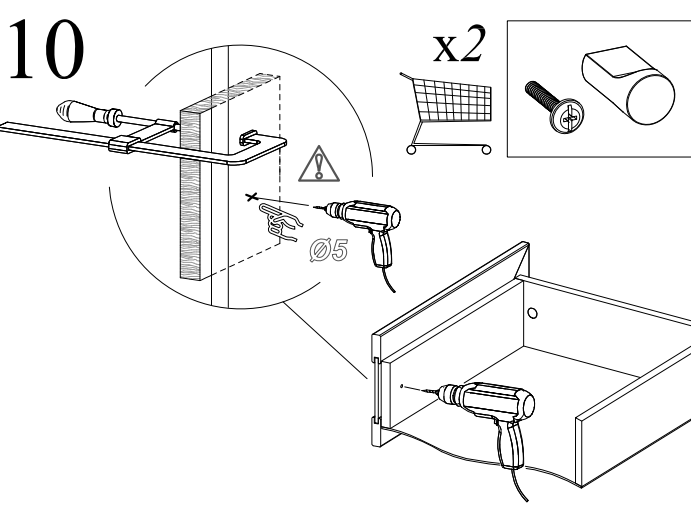
- (203)**  
  
 Ø4x35 x8
- (218)**  
  
 Ø3x18 x36




- (202)**  
  
 Ø4x13 x8
- (451)**  
  
 L=350 x2



- (561A)**  
  
 Ø15x12 x4
- (749)**  
  
 Ø18 x4



- (122)**  
  
 M4x30 x2

