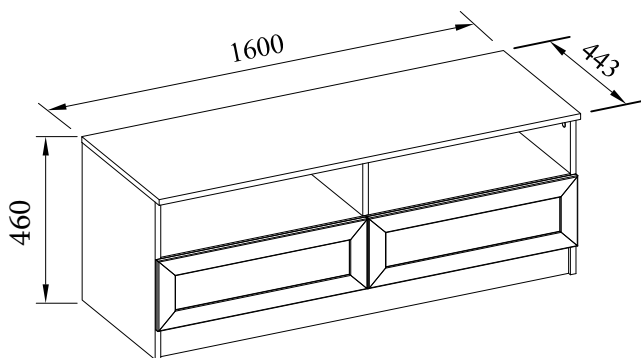
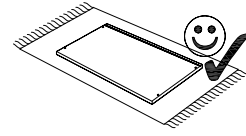
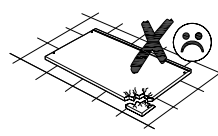
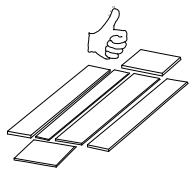
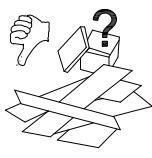
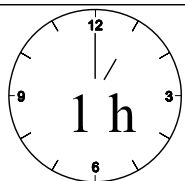
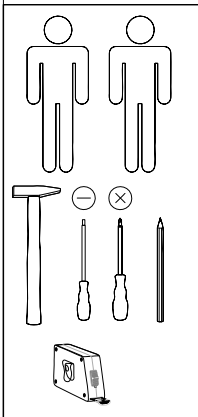
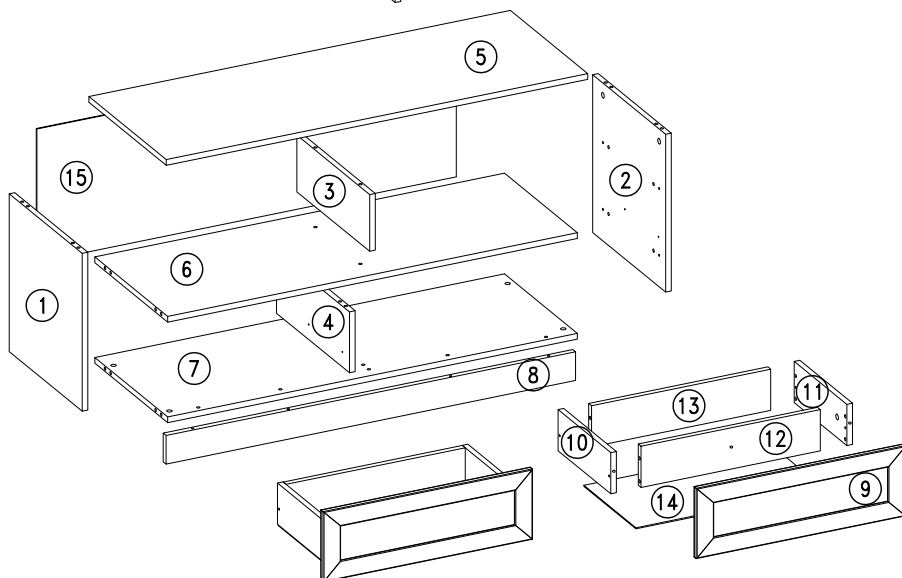


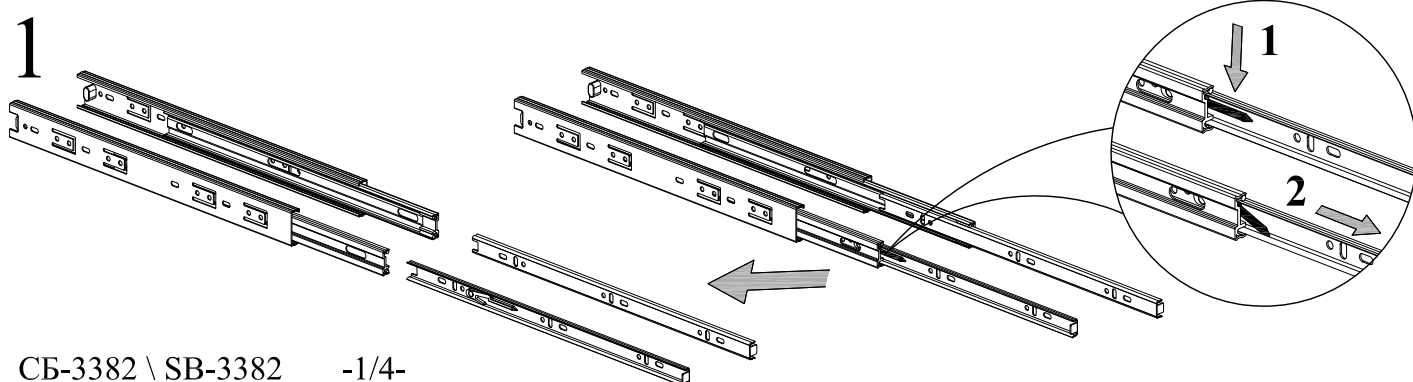
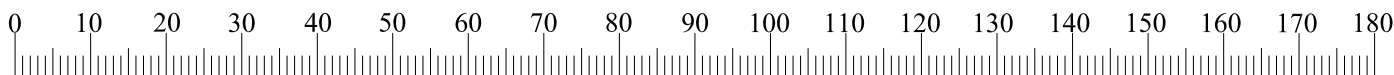
# "Твин" СБ-3382 \ "Twin" SB-3382

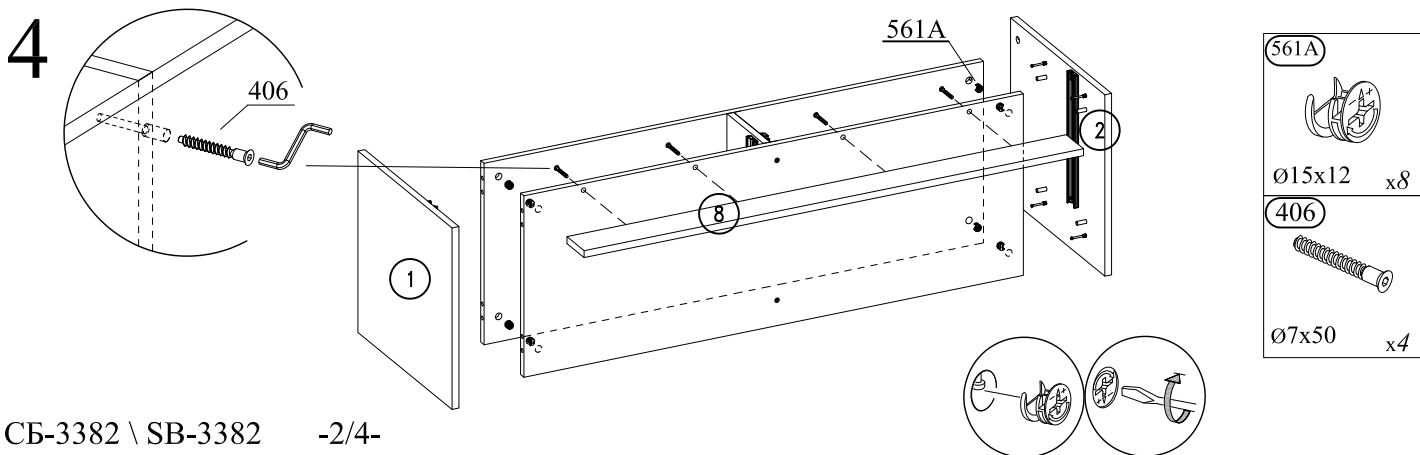
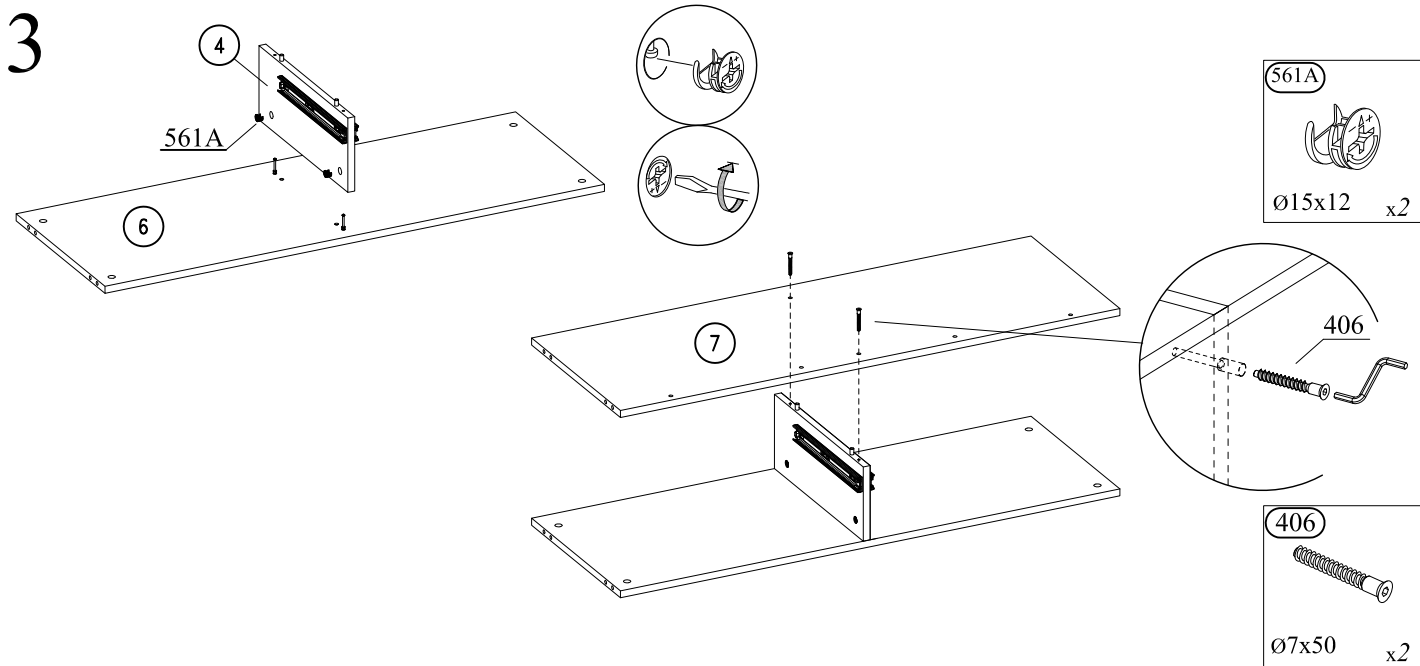
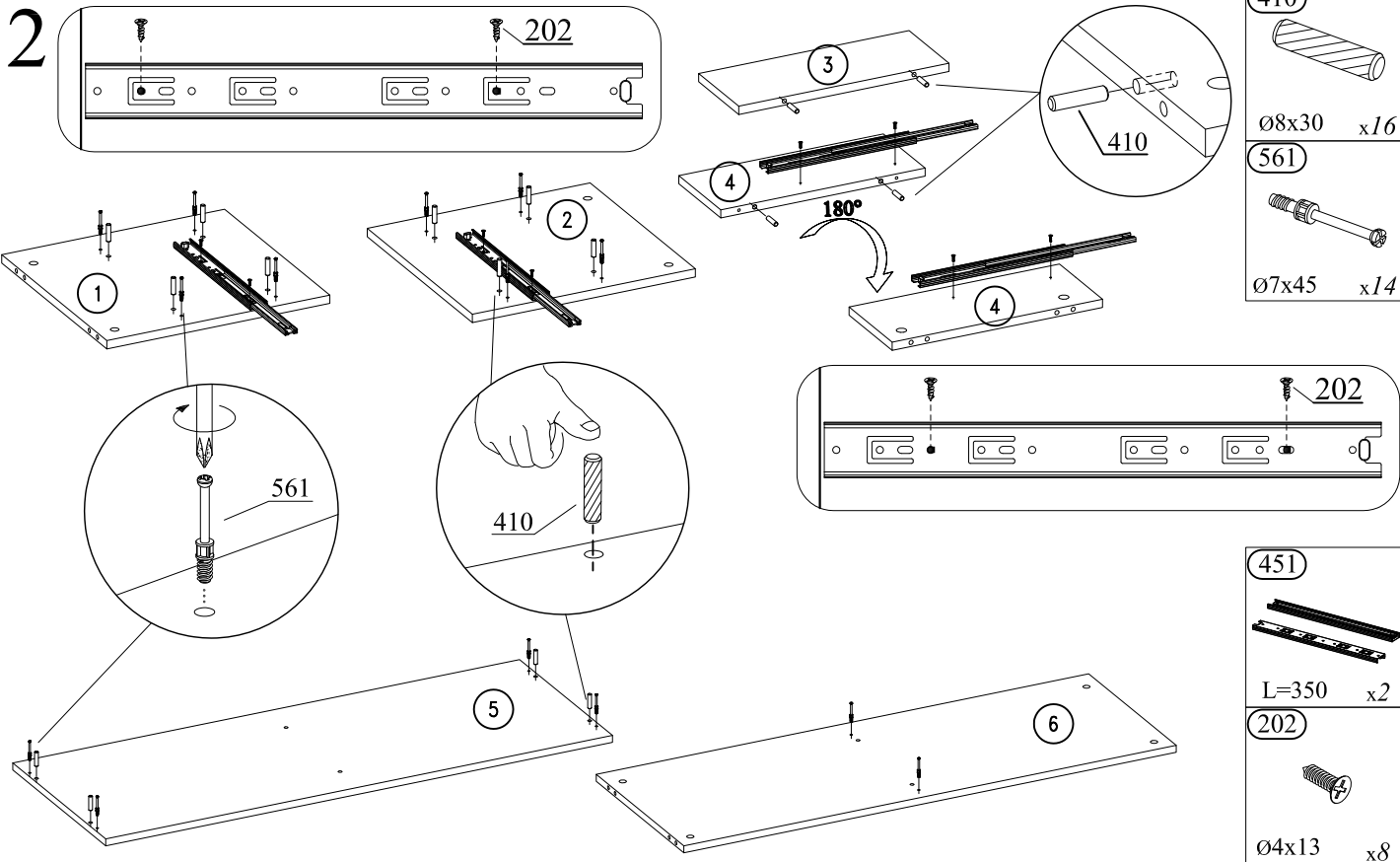


№	L	B	S	Q	☐
1	440	415	16	1	1
2	440	415	16	1	1
3	158	414	16	1	1
4	170	415	16	1	1
5	1600	440	16	1	2
6	1566	415	16	1	2
7	1566	415	16	1	2
8	1566	80	16	1	2
9	796	196	15	2	3
10	400	115	16	2	1
11	400	115	16	2	1
12	718	115	16	2	1
13	718	115	16	2	1
14	748	396	3	2	1
15	1594	372	3	1	2

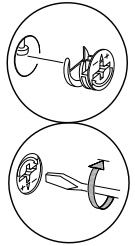
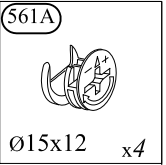
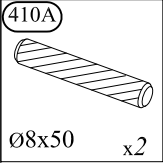
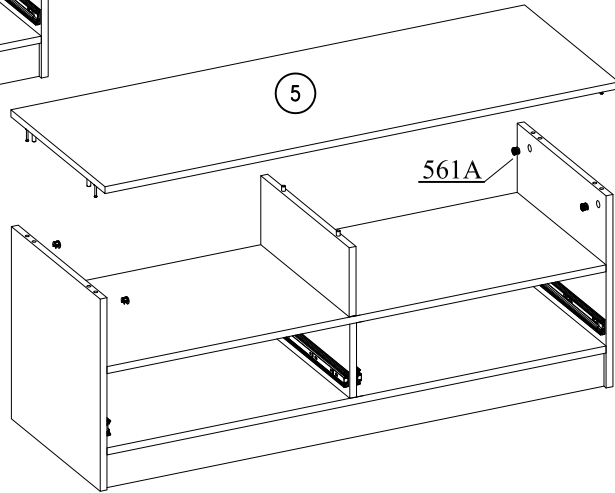
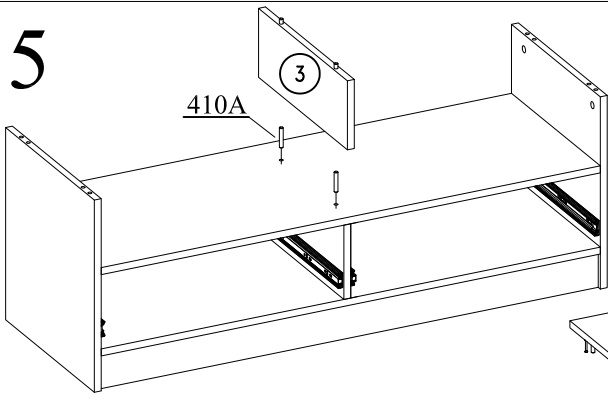


 1.6x25 x50	 Ø3x18 x44	 Ø4x13 x16	 Ø4x35 x8	 Ø8x30 x32	 Ø8x50 x2
 Ø7x50 x6	 4mm x1	 Ø7x45 x18	 Ø15x12 x18	 Ø18 x8	 L=350 x2
 x6	 M4x30 x2				

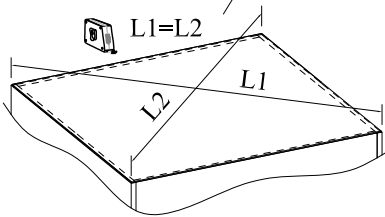
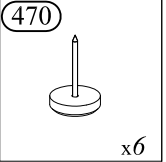
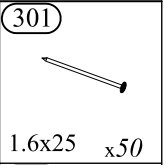
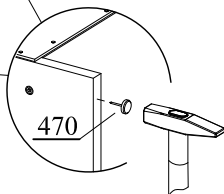
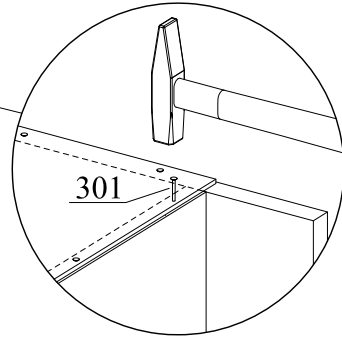
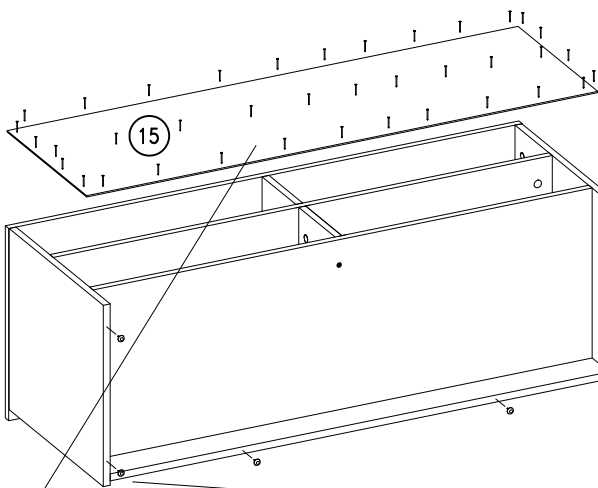




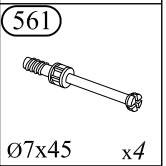
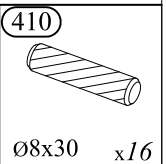
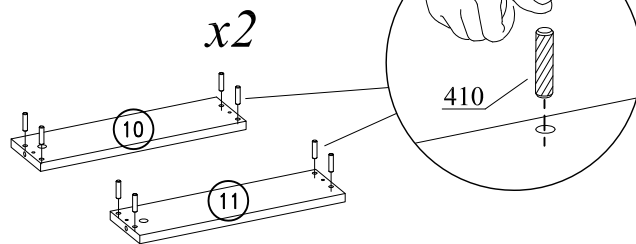
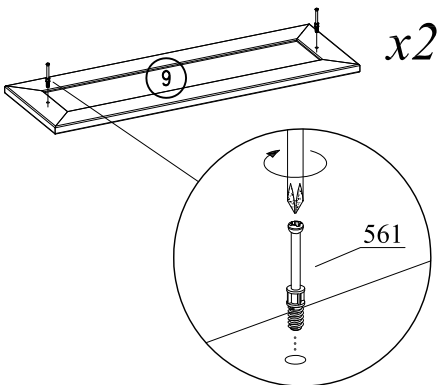
5

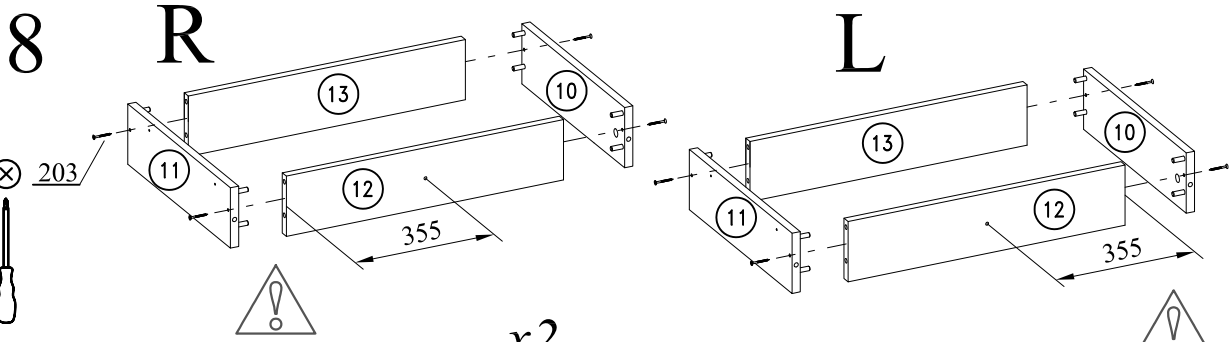


6

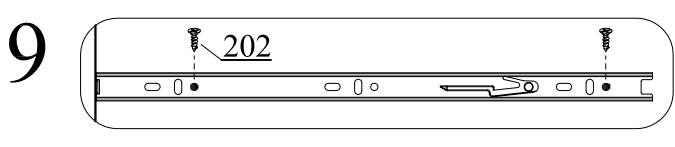
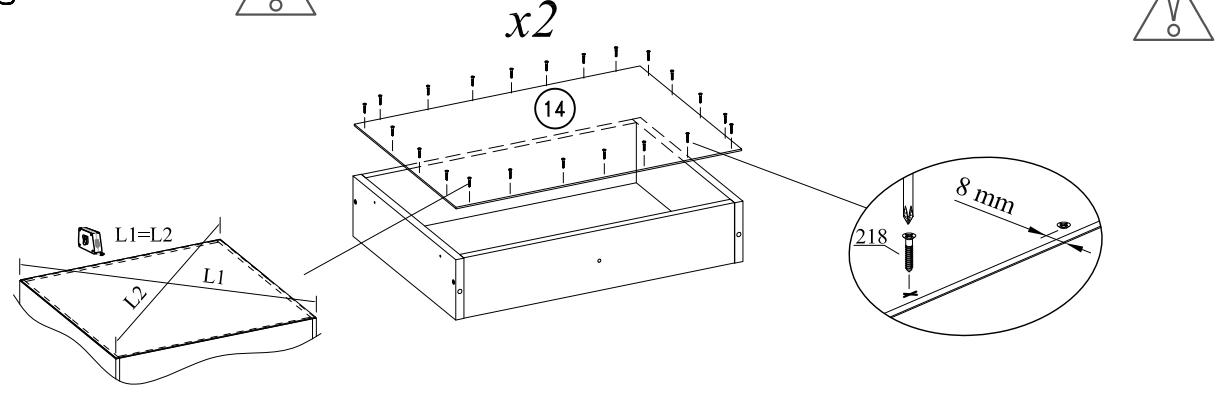


7

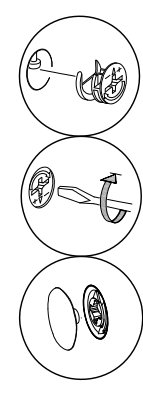
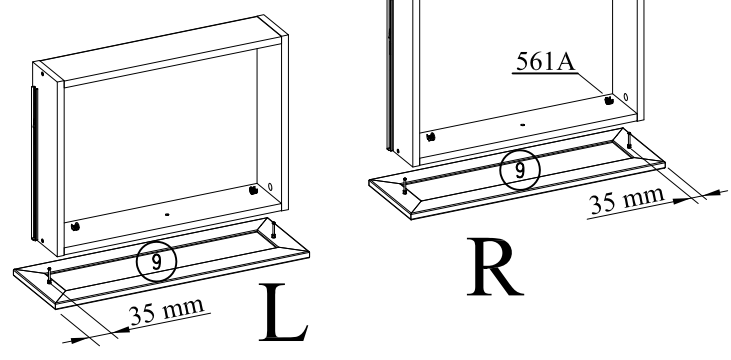
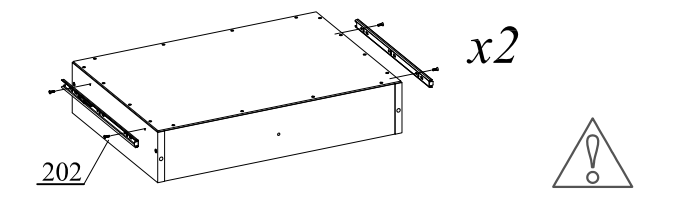




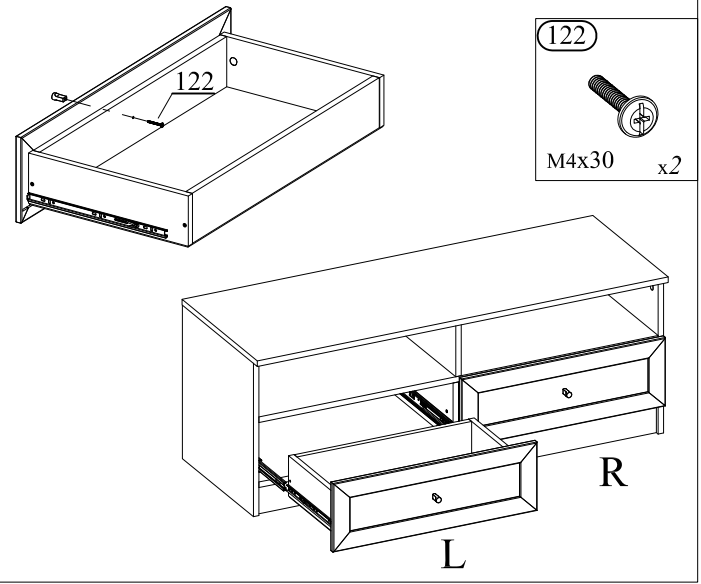
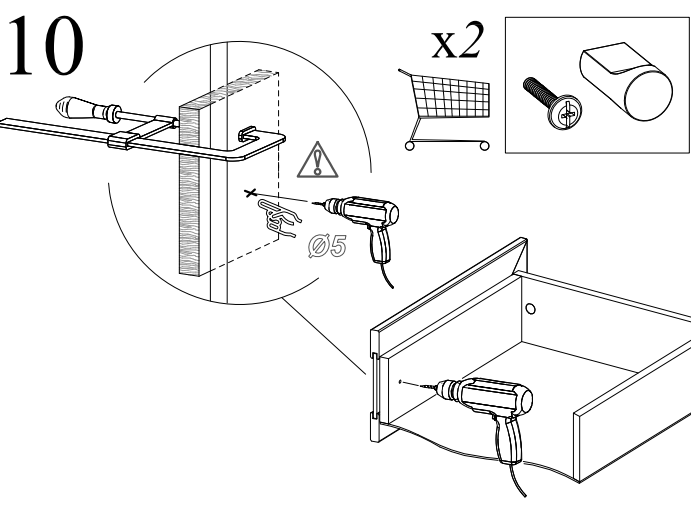
- (203)  $\varnothing 4 \times 35$  x8
- (218)  $\varnothing 3 \times 18$  x44



- (202)  $\varnothing 4 \times 13$  x8
- (451) L=350 x2



- (561A)  $\varnothing 15 \times 12$  x4
- (749)  $\varnothing 18$  x4



- (122) M4x30 x2