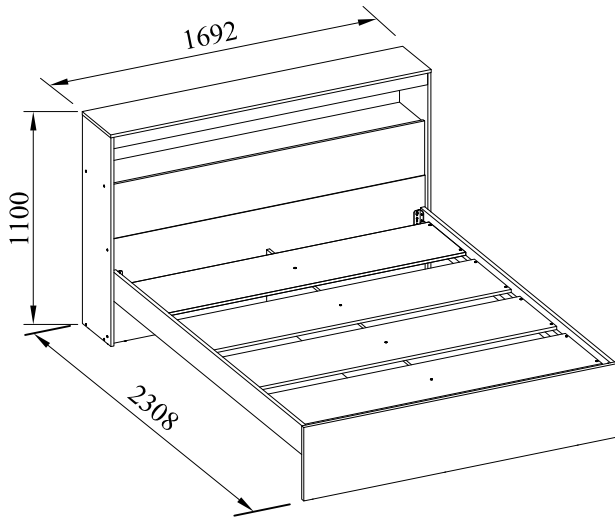
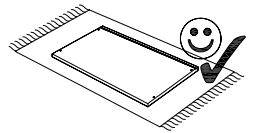
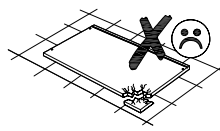
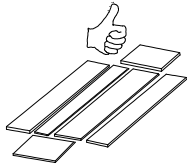
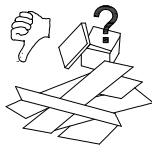
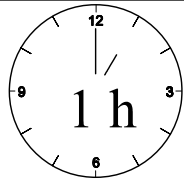
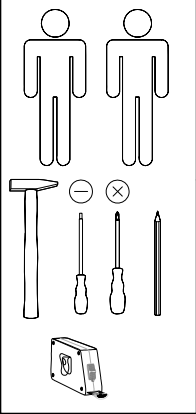
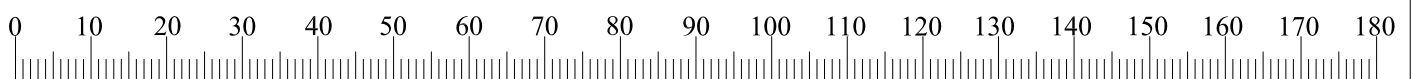
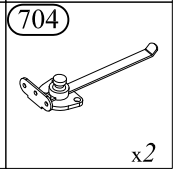
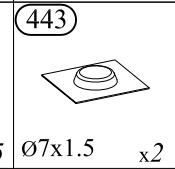
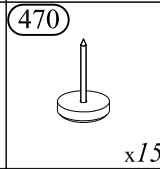
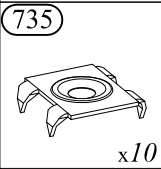
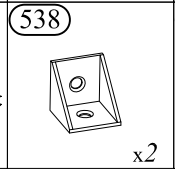
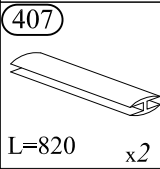
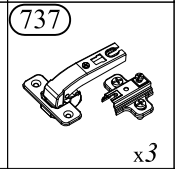
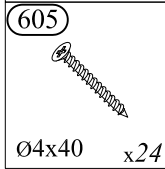
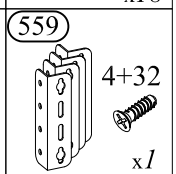
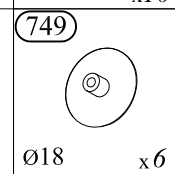
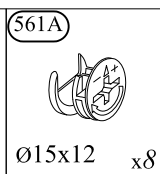
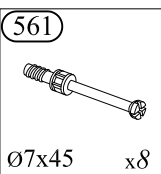
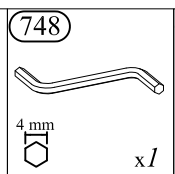
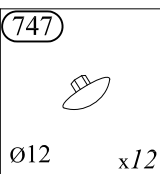
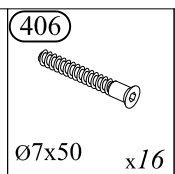
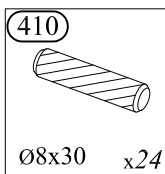
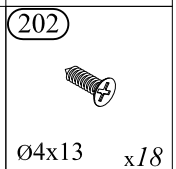
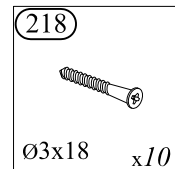
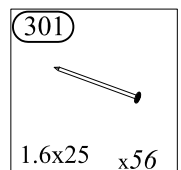
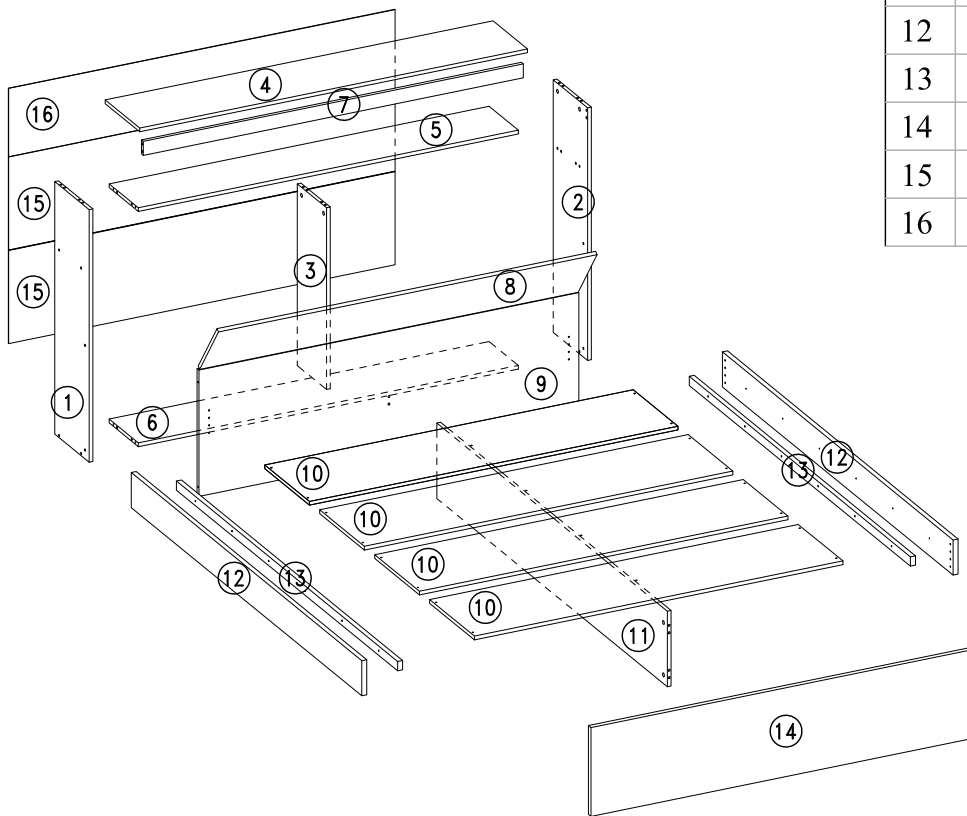


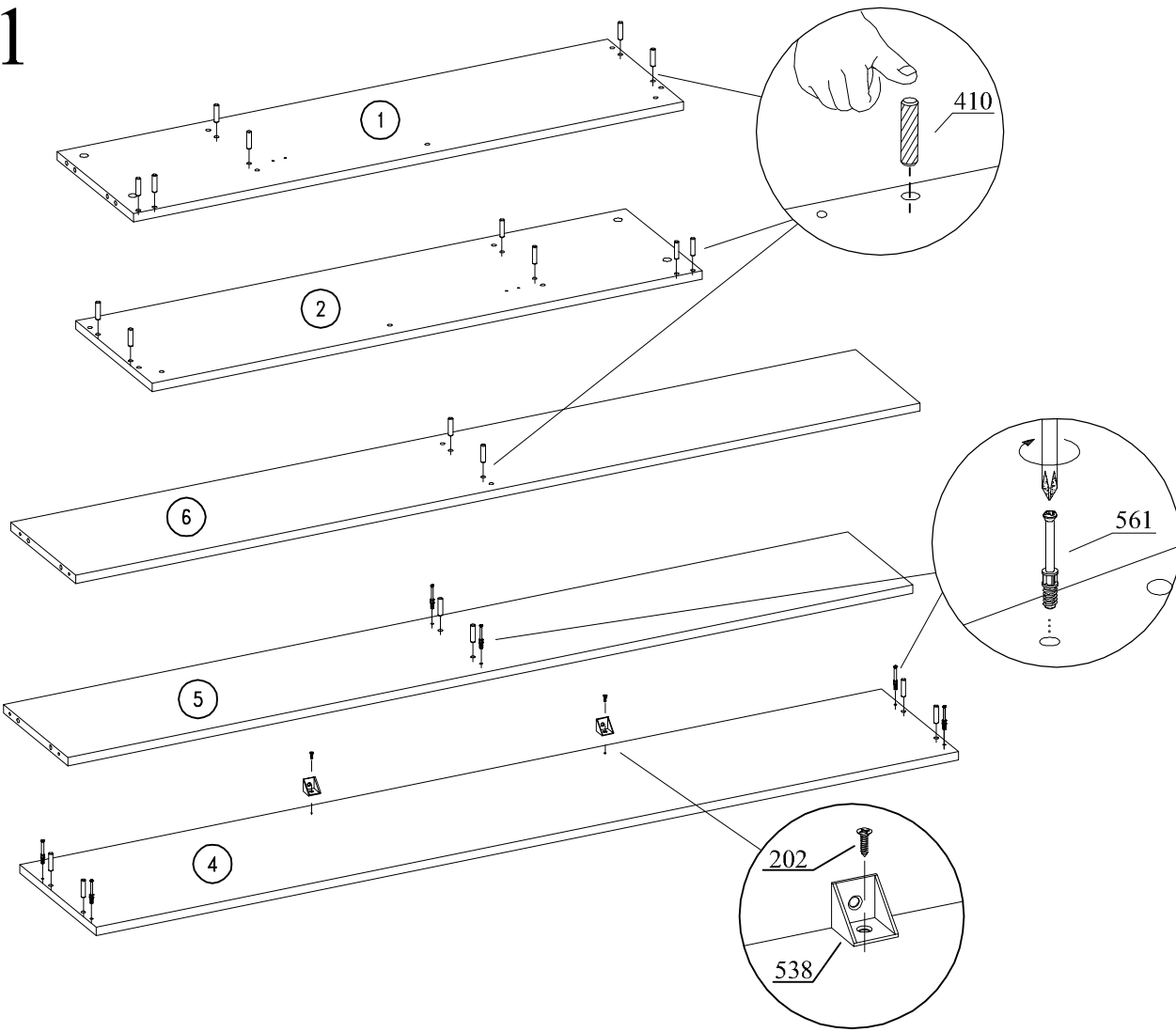
"БРУКЛИН" СБ-3356 \ "BROOKLIN" SB-3356



№	L	B	S	Q	
1	1080	300	16	1	1
2	1080	300	16	1	1
3	777	255	16	1	1
4	1692	301	16	1	1
5	1658	255	16	1	1
6	1658	255	16	1	1
7	1658	60	16	1	1
8	1652	280	16	1	1
9	1658	540	16	1	4
10	1608	390	16	4	3
11	2012	323	16	1	2
12	2012	150	22	2	2
13	1930	40	22	2	2
14	1658	380	22	1	2
15	1686	398	3	2	4
16	1686	292	3	1	2

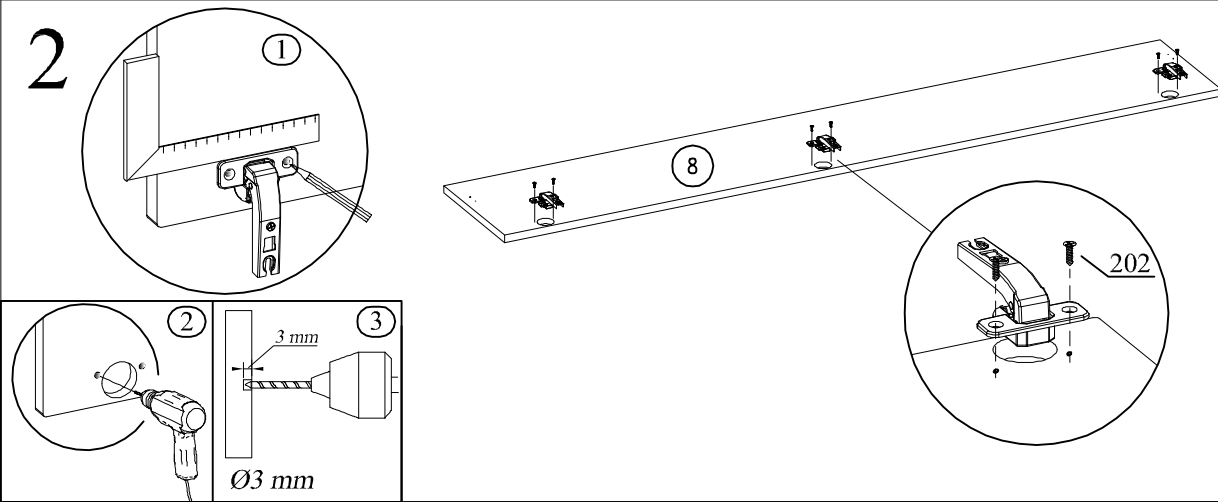


1



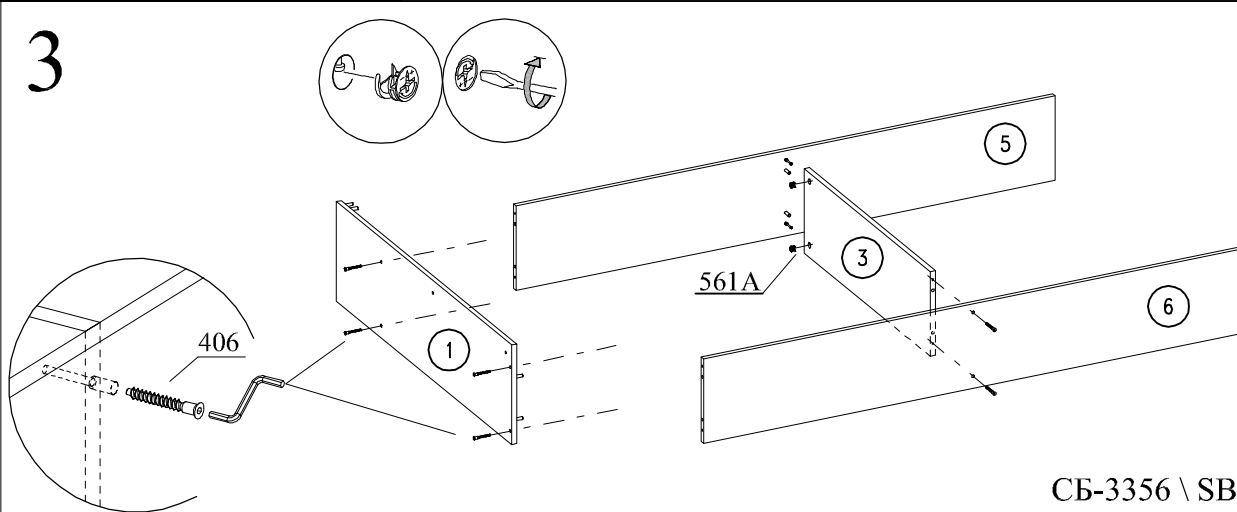
- 410**
Ø8x30 x20
- 561**
Ø7x45 x6
- 538**
x2
- 202**
Ø4x13 x2

2

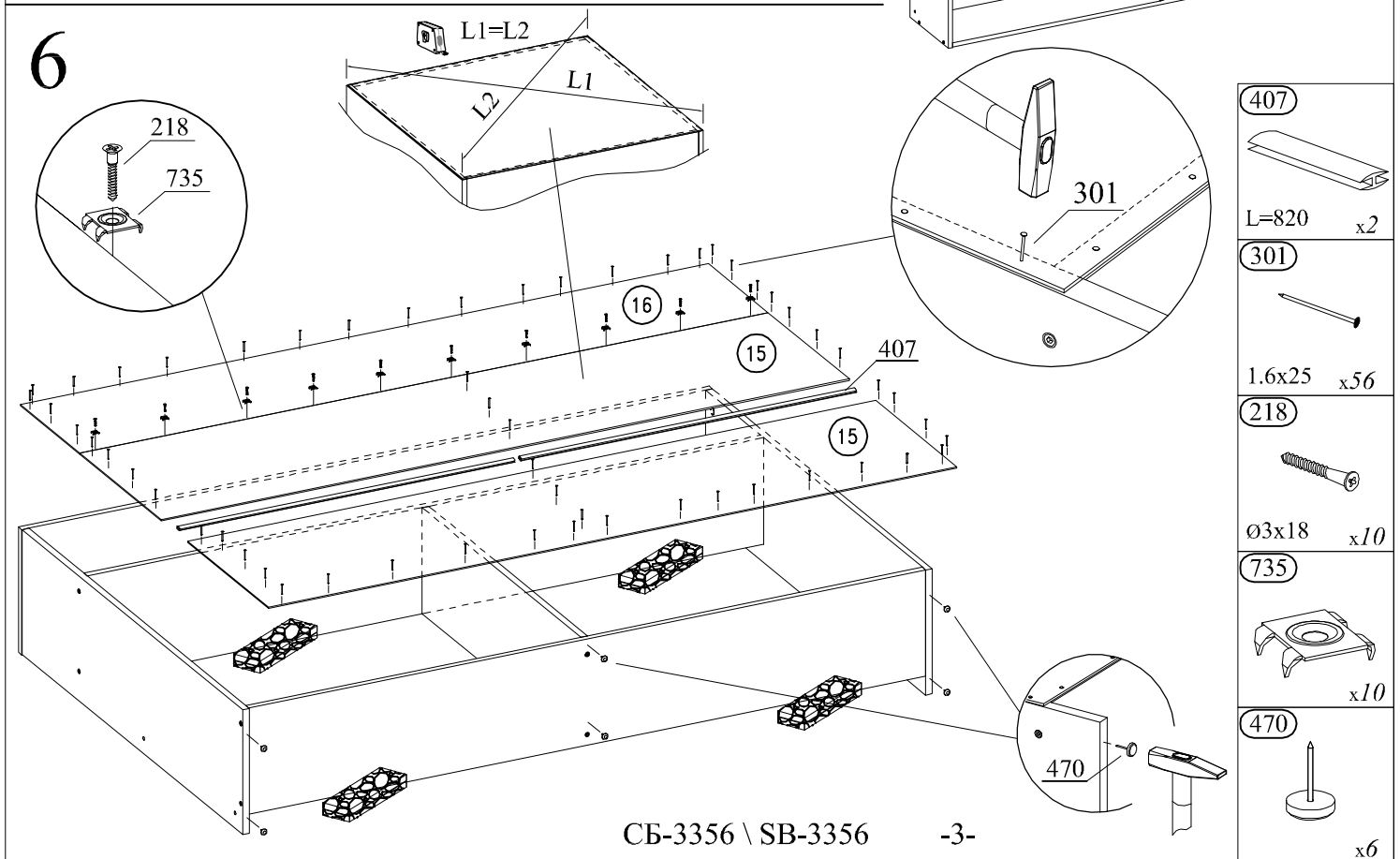
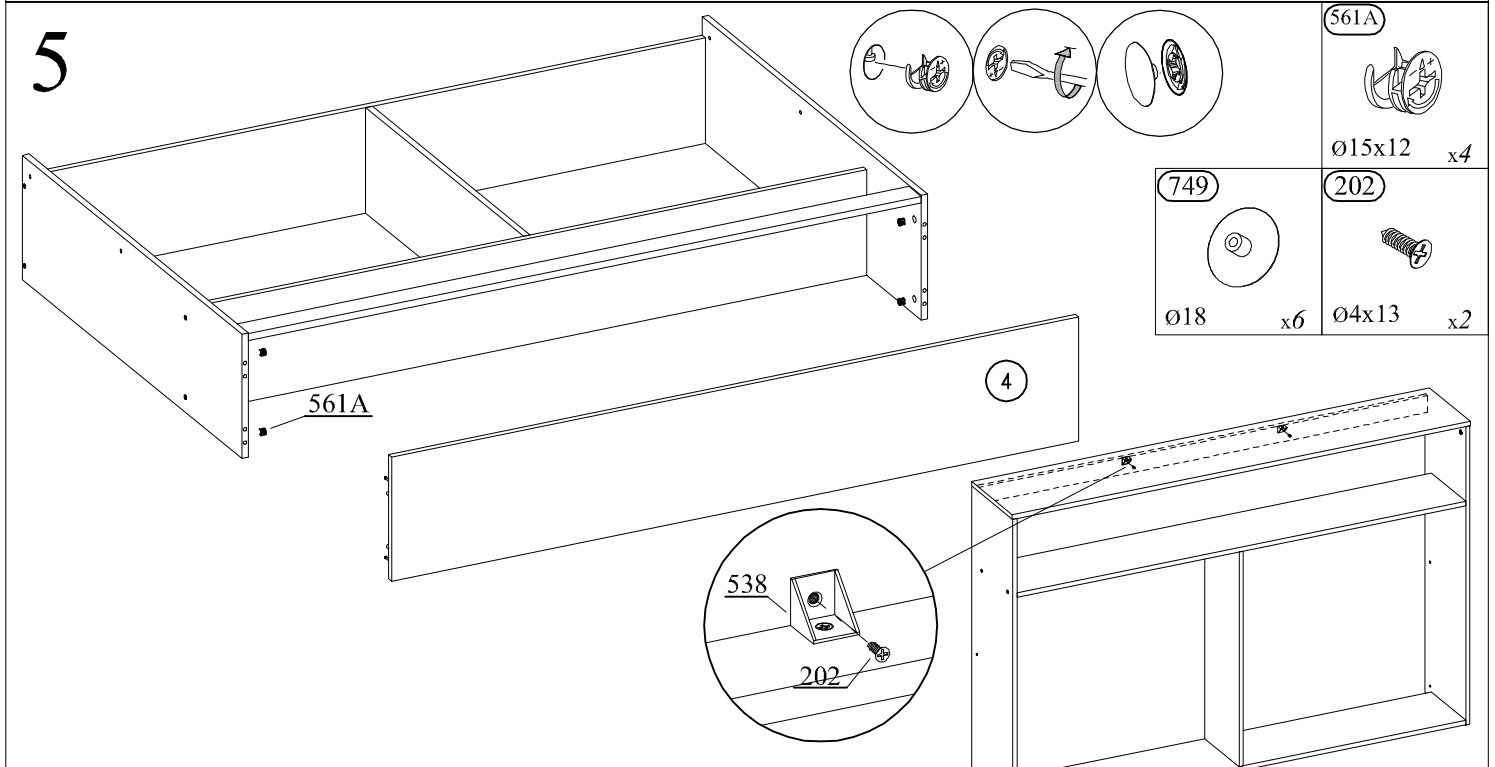
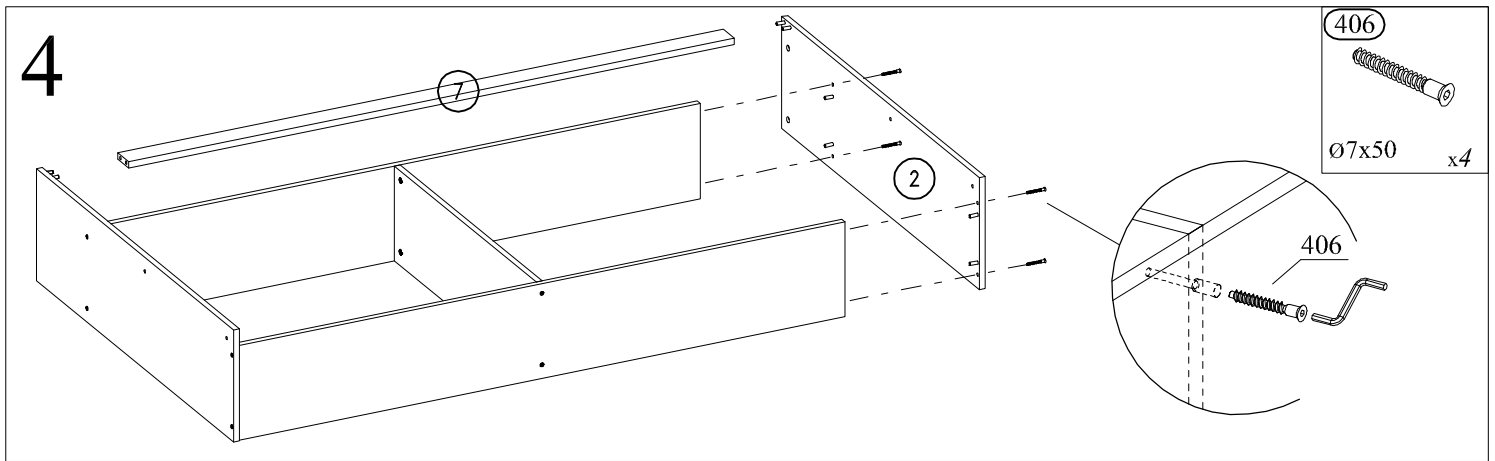


- 737**
x3
- 202**
Ø4x13 x6

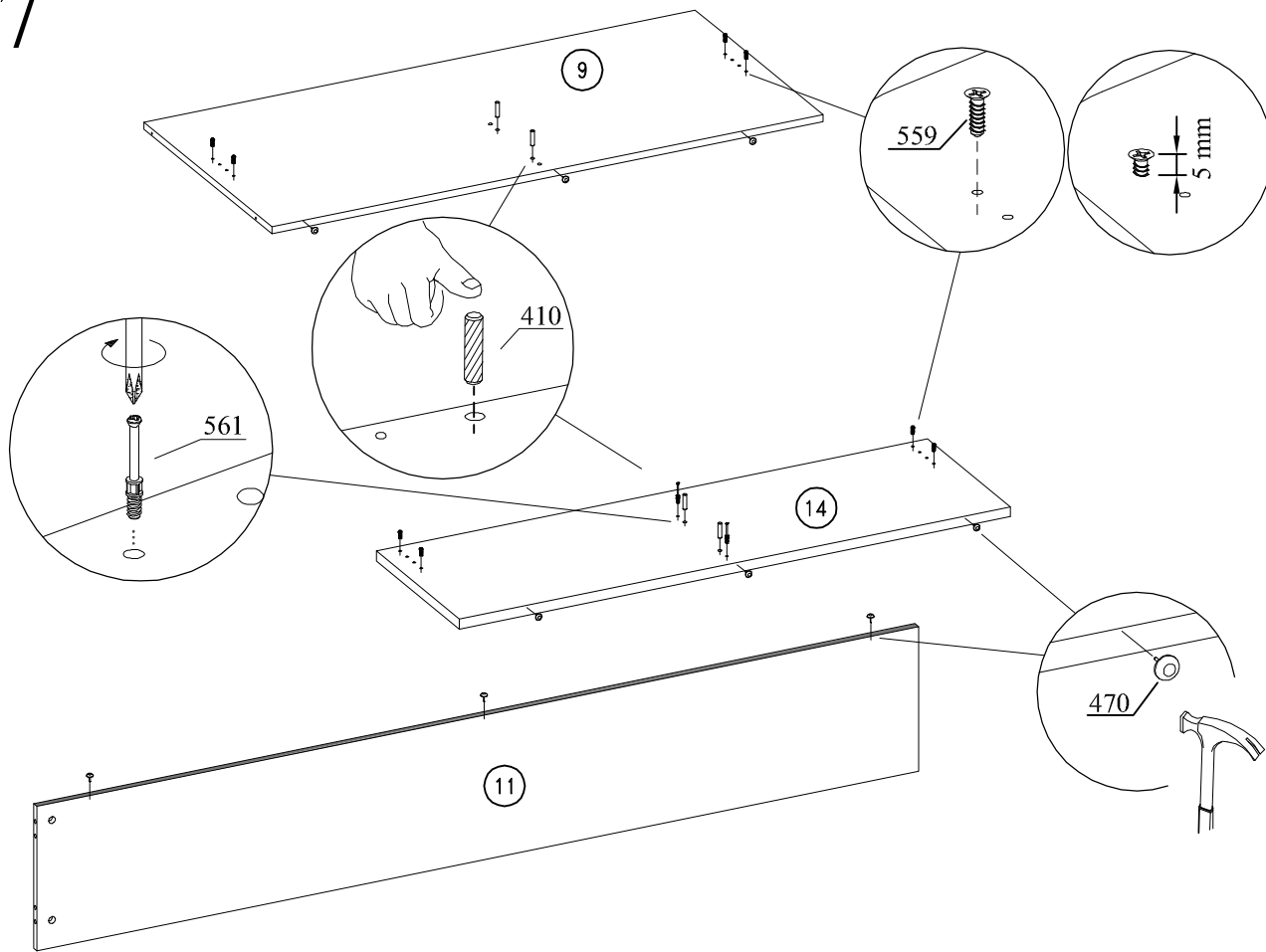
3

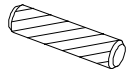
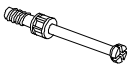

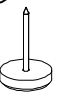


- 406**
Ø7x50 x6
- 561A**
Ø15x12 x2

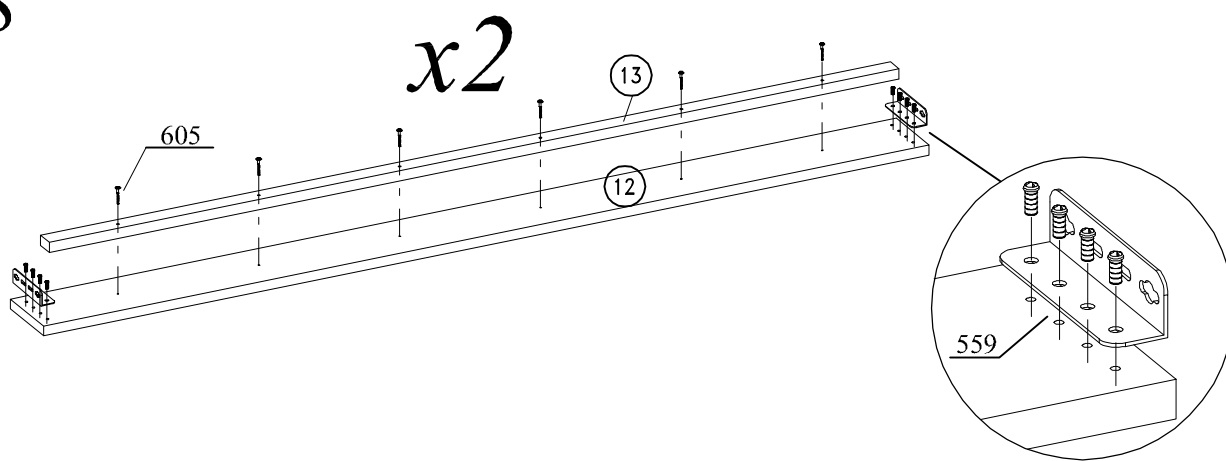


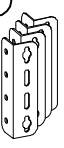


7



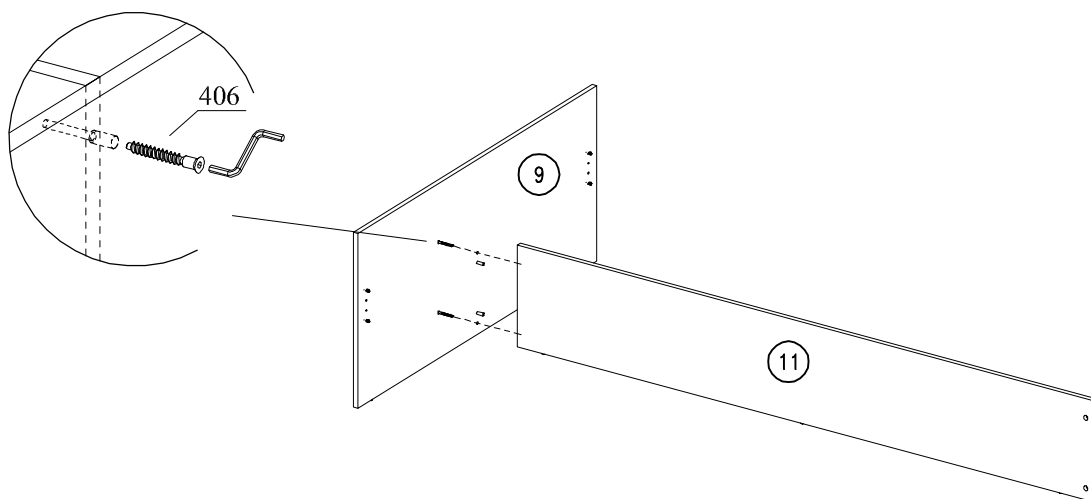
- (410)  $\varnothing 8 \times 30$ x4
- (561)  $\varnothing 7 \times 45$ x2
- (559)  $\varnothing 6 \times 14$ x8
- (470)  x9

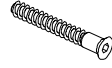
8



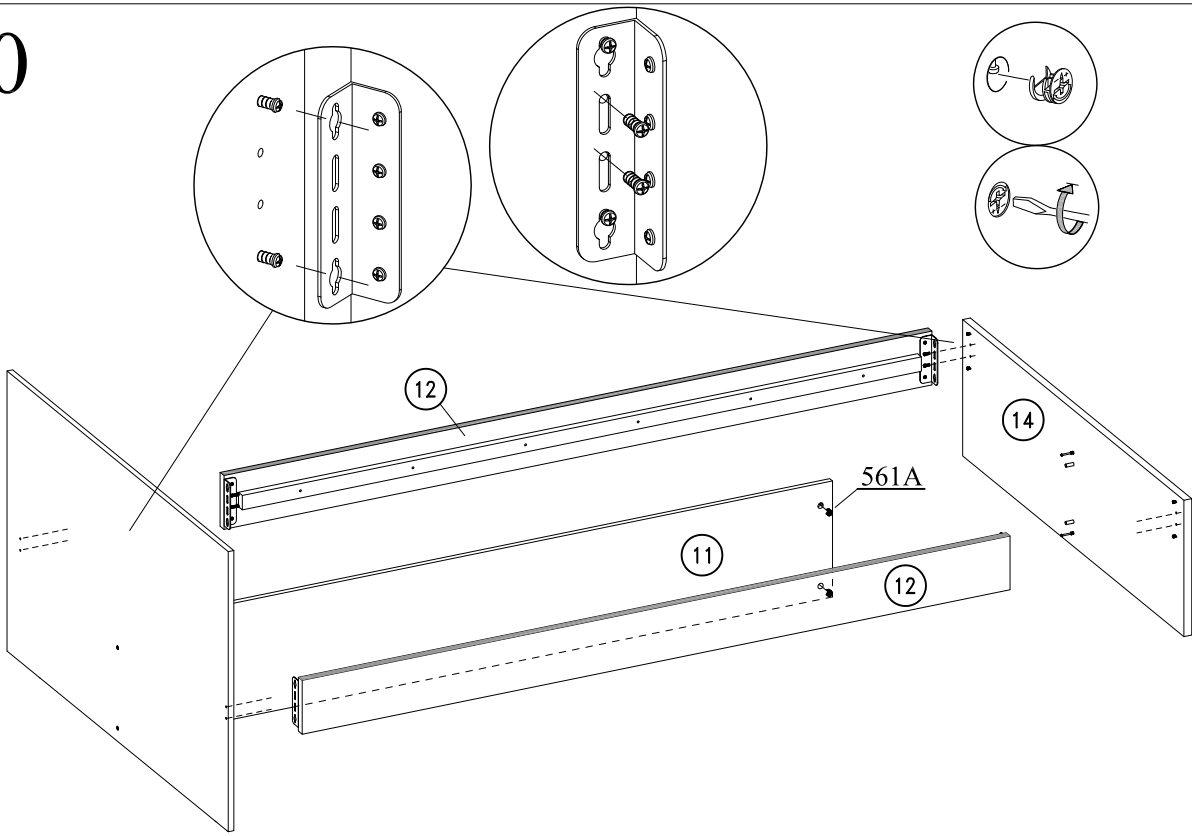
- (559)  x4
- (559)  $\varnothing 6 \times 14$ x16
- (605)  $\varnothing 4 \times 40$ x12

9



- (406)  $\varnothing 7 \times 50$ x2

10



559



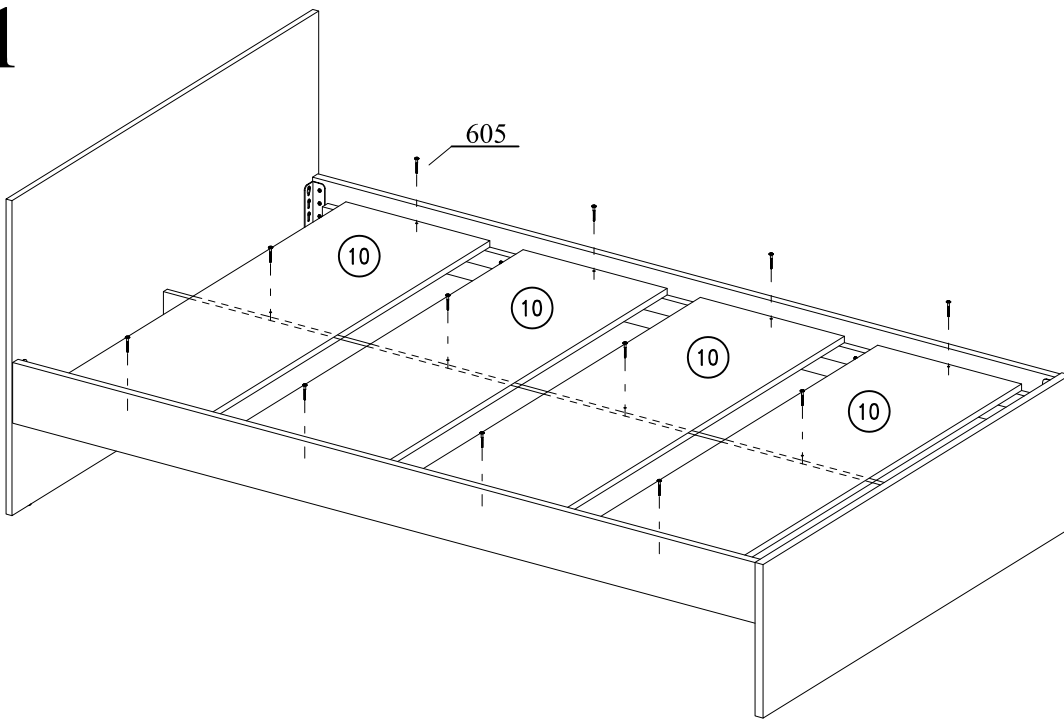
Ø6x14 x8

561A



Ø15x12 x2

11

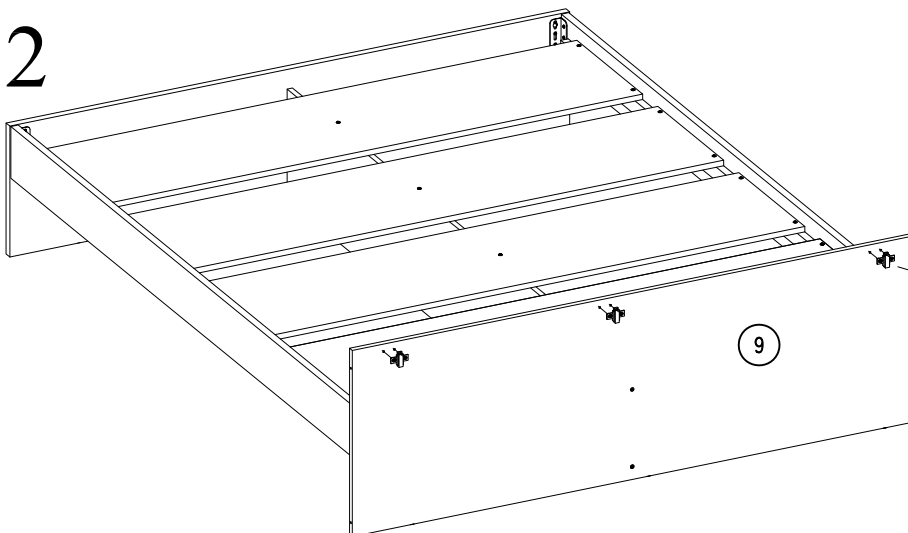


605



Ø4x40 x12

12

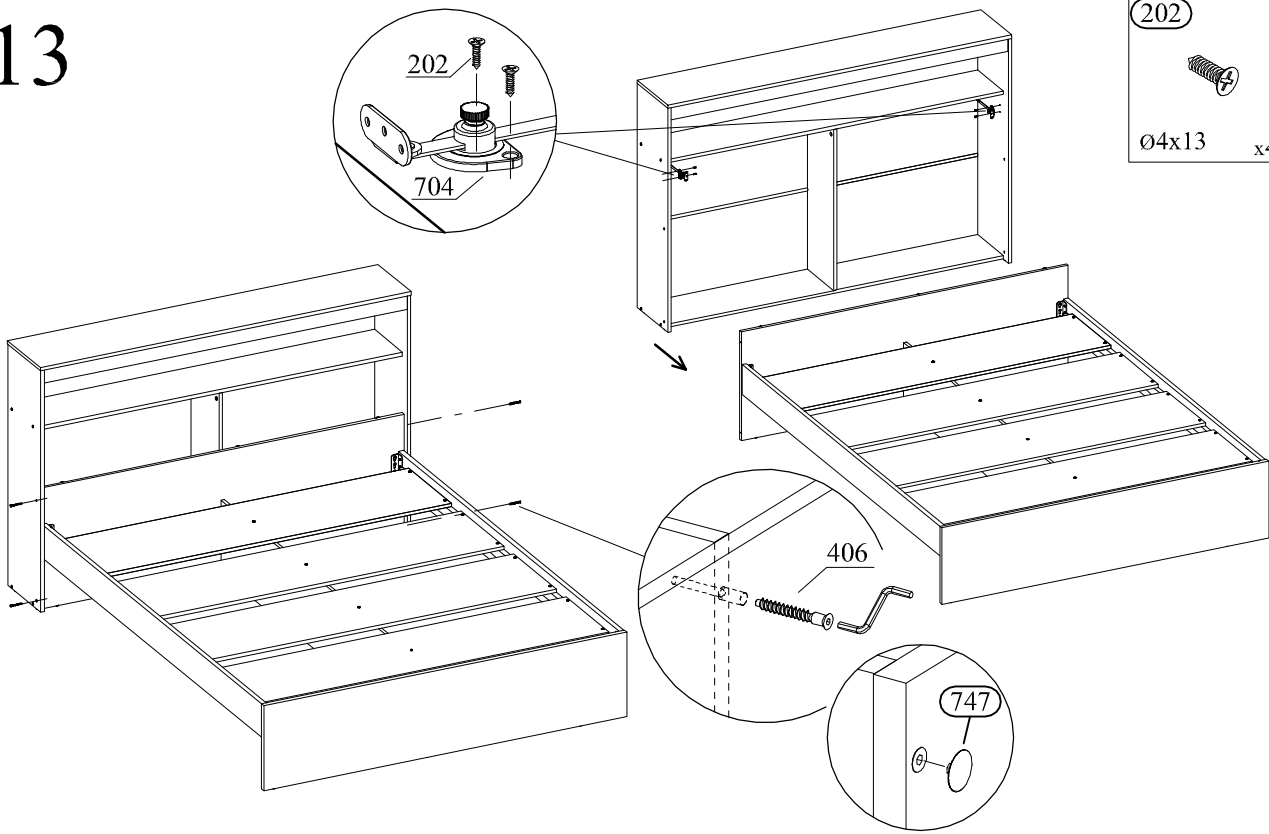



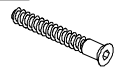

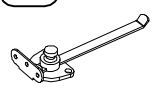
737



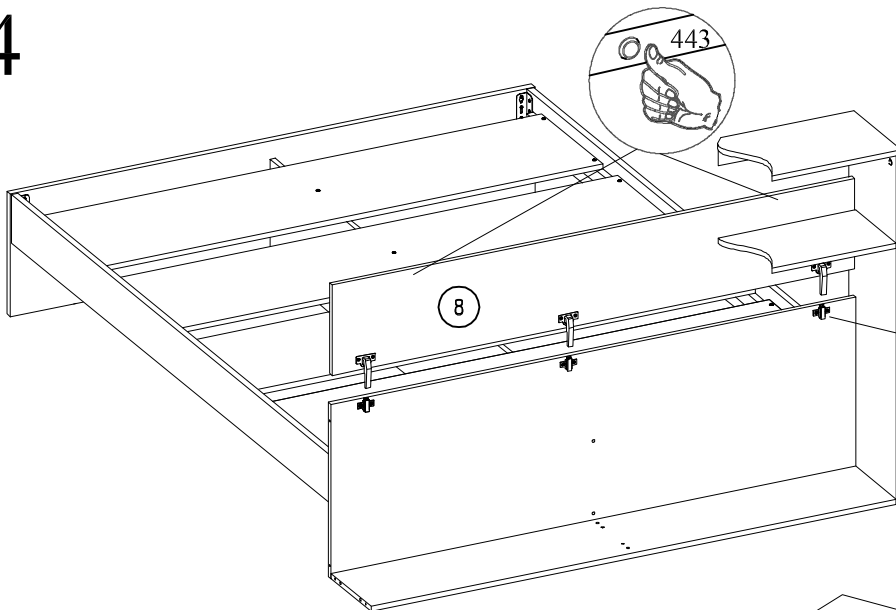
x3

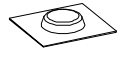
13

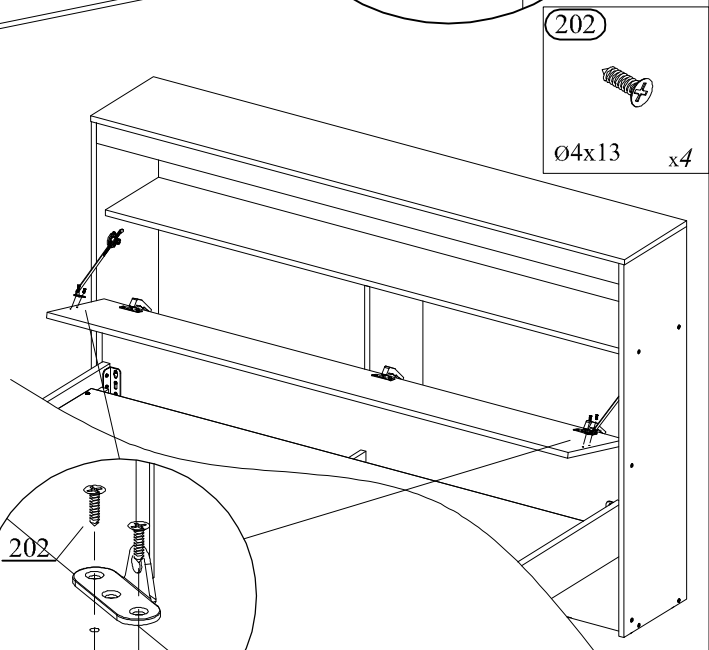
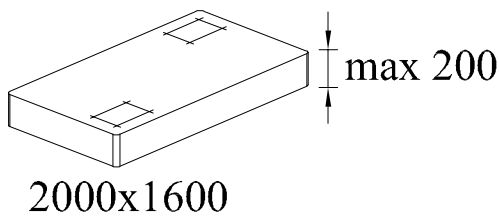
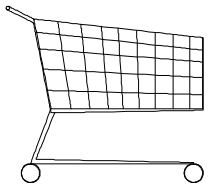



<p>(202)</p>  <p>Ø4x13 x4</p>	<p>(406)</p>  <p>Ø7x50 x4</p>
	<p>(747)</p>  <p>Ø12 x12</p>
	<p>(704)</p>  <p>x2</p>

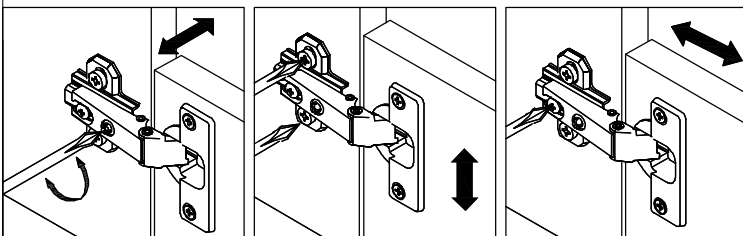
14



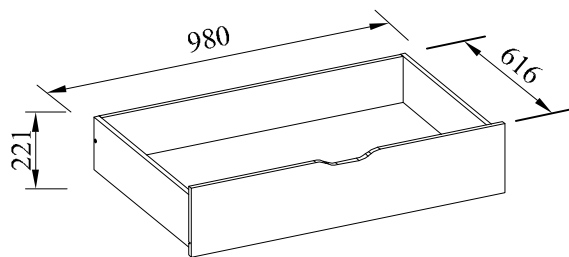
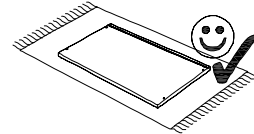
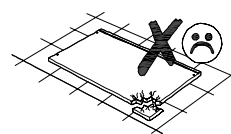
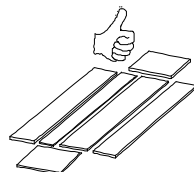
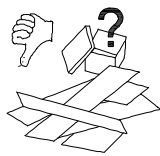
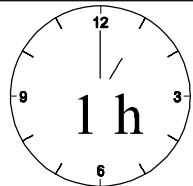
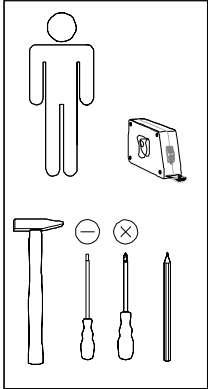
<p>(443)</p>  <p>Ø7x1.5 x2</p>
--



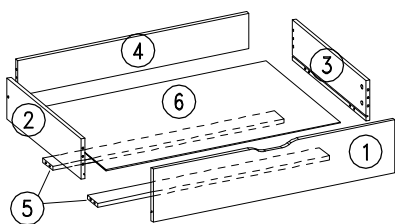
<p>(202)</p>  <p>Ø4x13 x4</p>
--



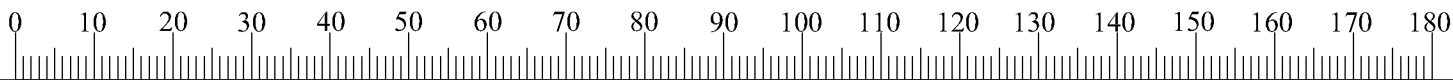
"БРУКЛИН" СБ-3357 \ "BROOKLIN" SB-3357



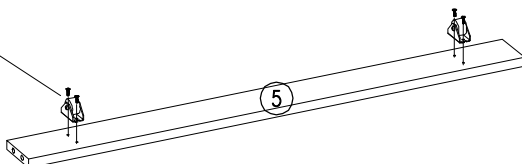
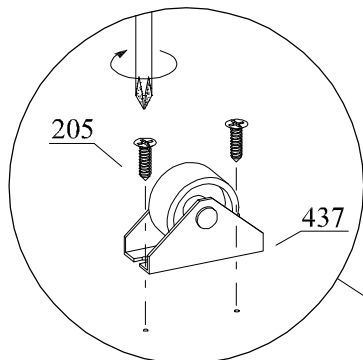
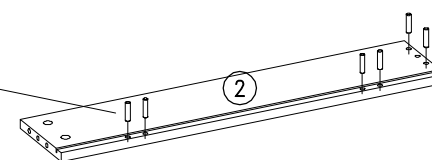
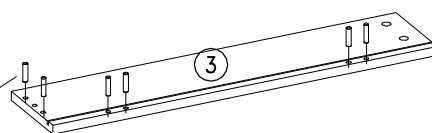
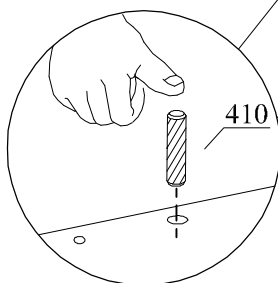
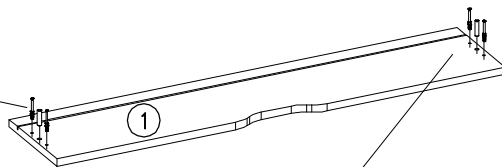
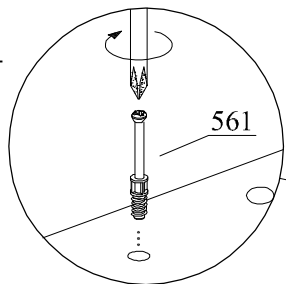
№	L	B	S	Q	
1	980	210	16	1	1
2	600	160	16	1	1
3	600	160	16	1	1
4	940	140	16	1	1
5	940	80	16	2	1
6	950	604	3	1	1



1.6x25 x9	Ø4x16 x8	Ø8x30 x14	Ø7x50 x2	Ø12 x2
x1	Ø7x45 x4	Ø15x12 x4	Ø18 x4	x4
	x2			



1

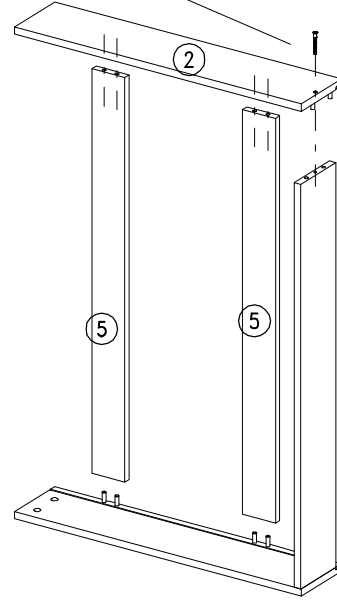
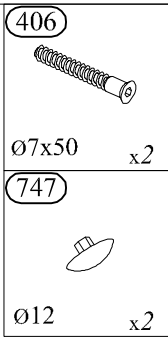
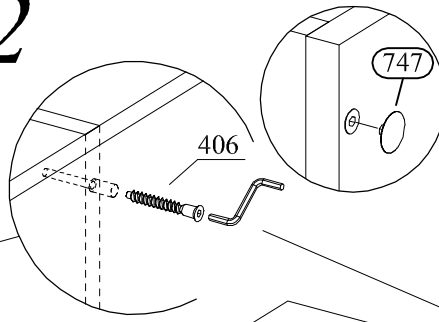
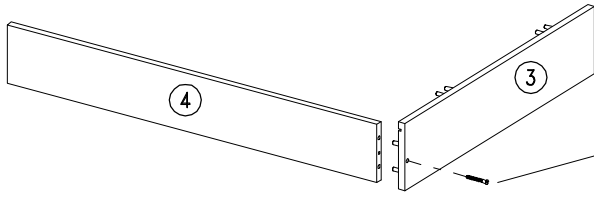


x2

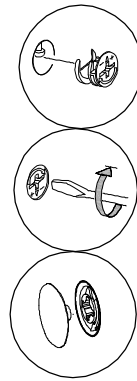
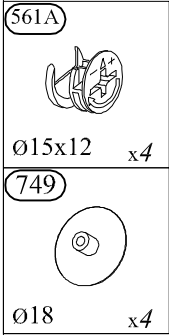
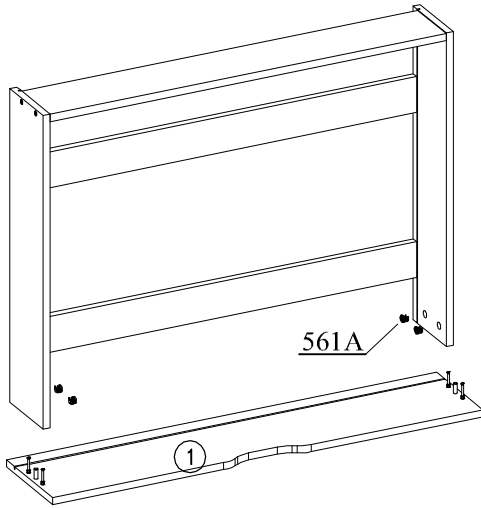
	Ø7x45 x4
	Ø8x30 x14
	x4
	Ø4x16 x8

2

x2

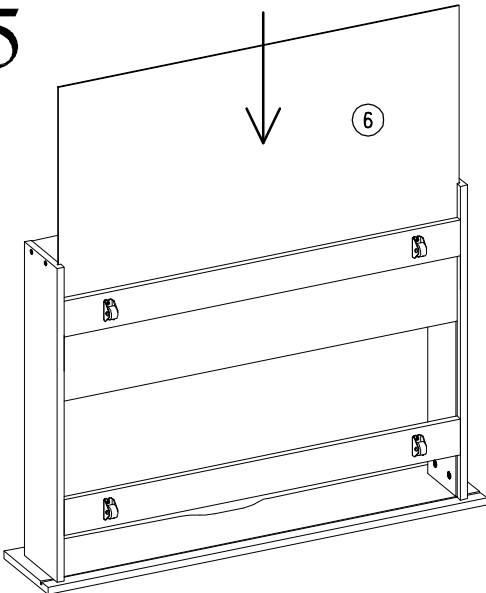


4



3

5



6

