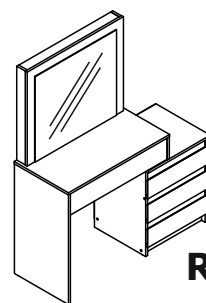
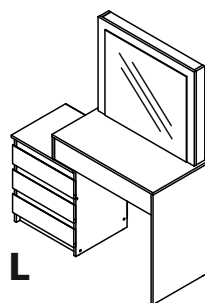
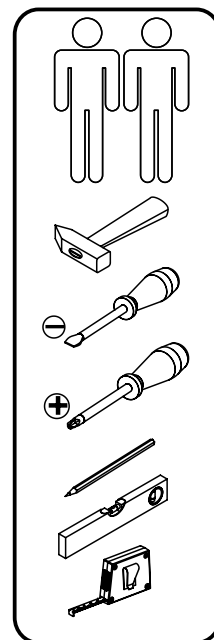
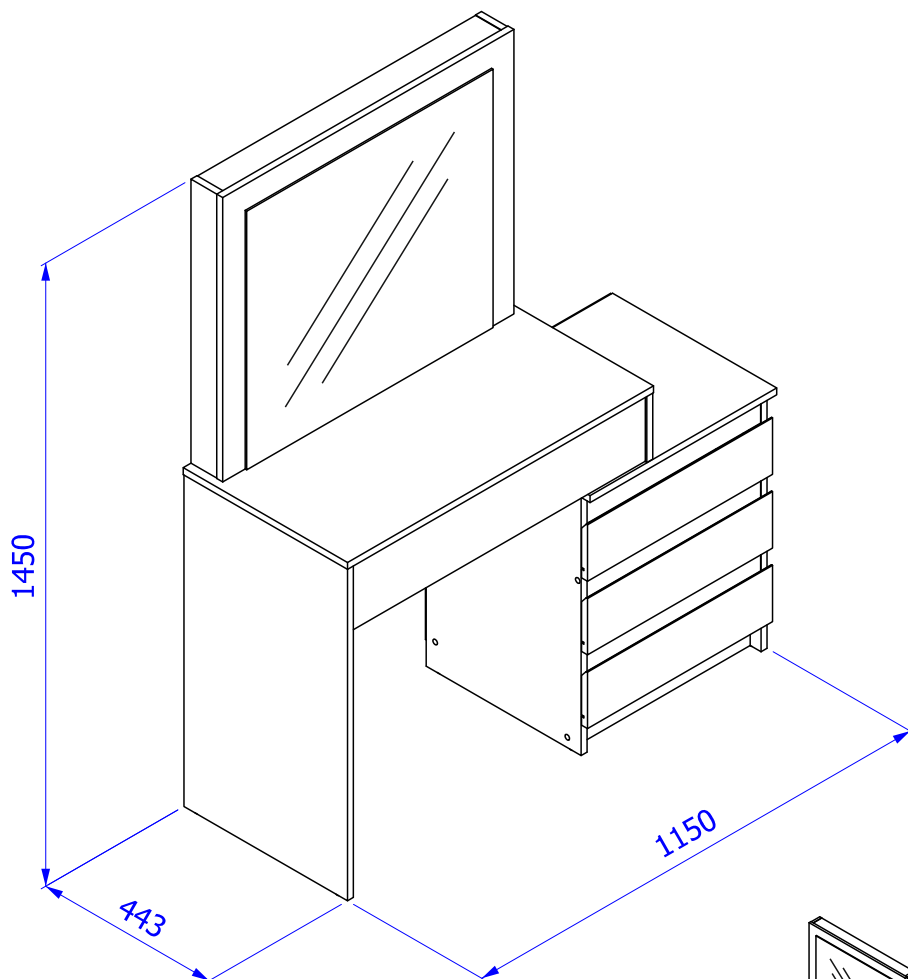
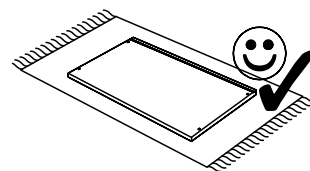
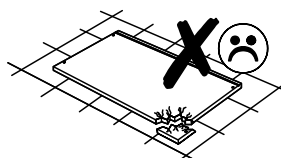
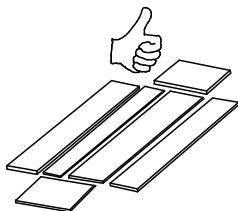
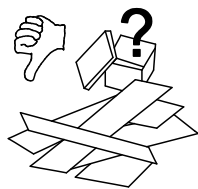
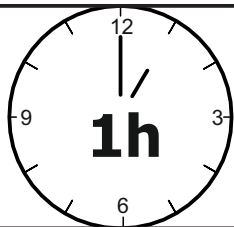
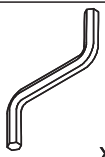
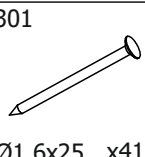
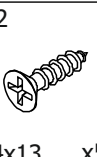
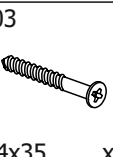
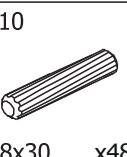


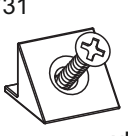
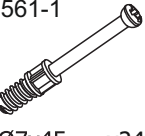


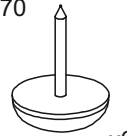
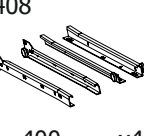

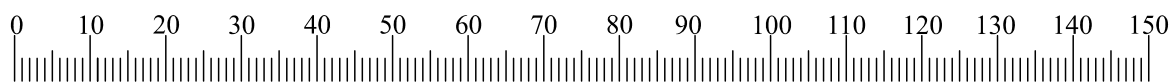


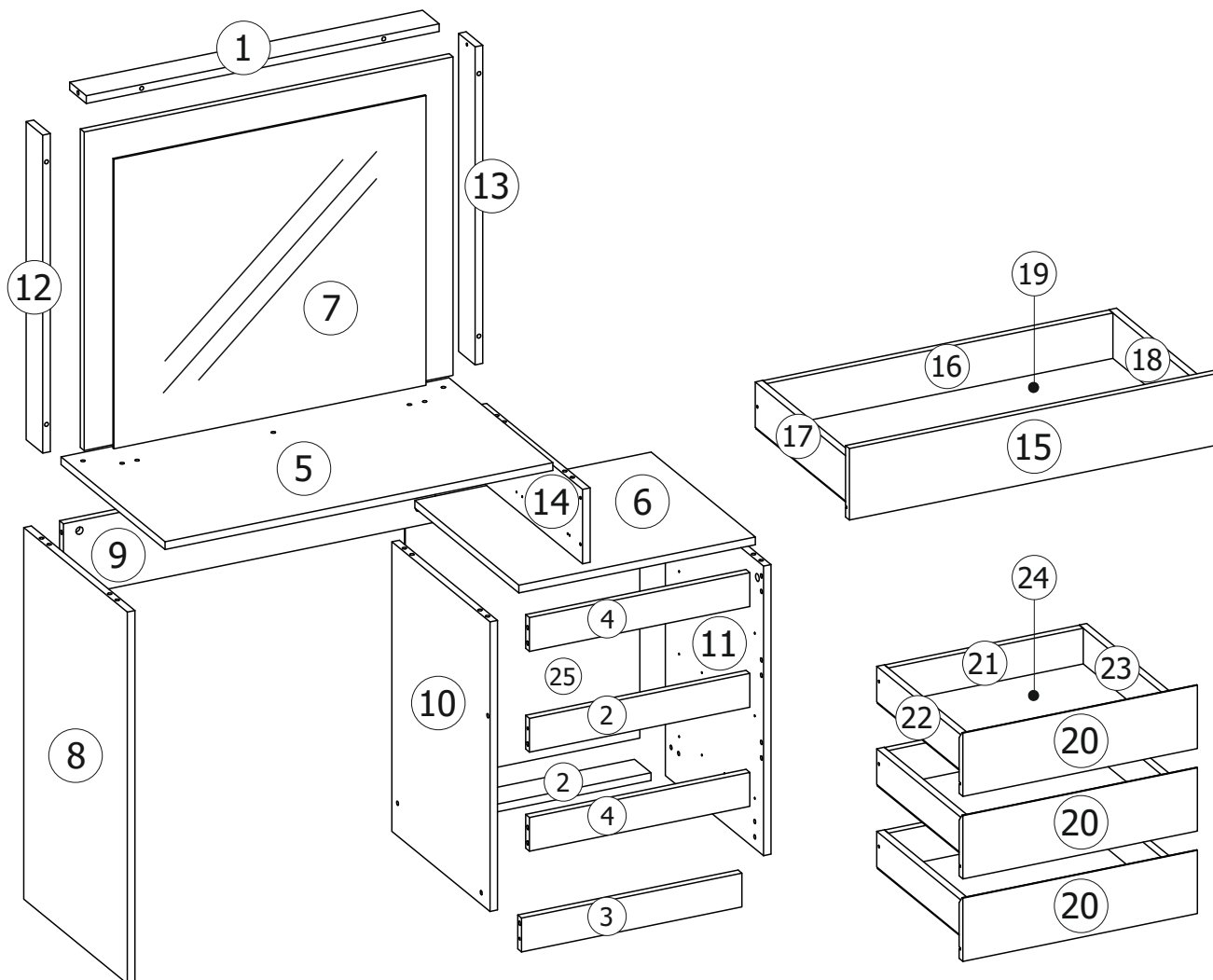
МЕДЕЯ SB-3232 / МЕДЕЯ СБ-3232

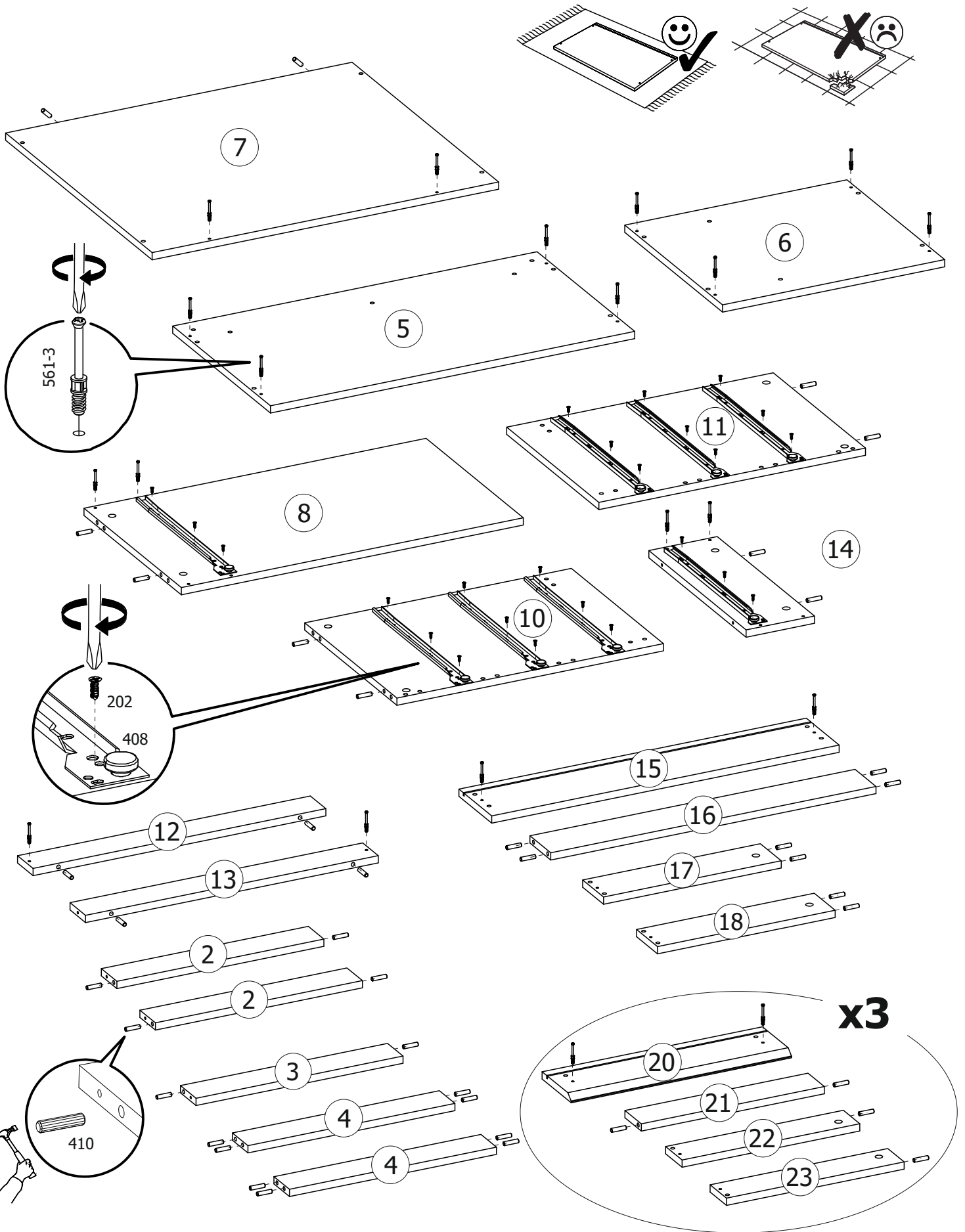


 x1	 Ø1,6x25 x41	 Ø4x13 x56	 Ø4x35 x8	 Ø8x30 x48	 Ø7x50 x13	 x6
 x5	 Ø7x45 x24	 Ø15x12 x24	 Ø18 x24	 x6	 L=400 x4	 Ø5x5 x4

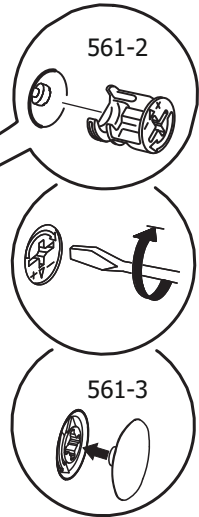
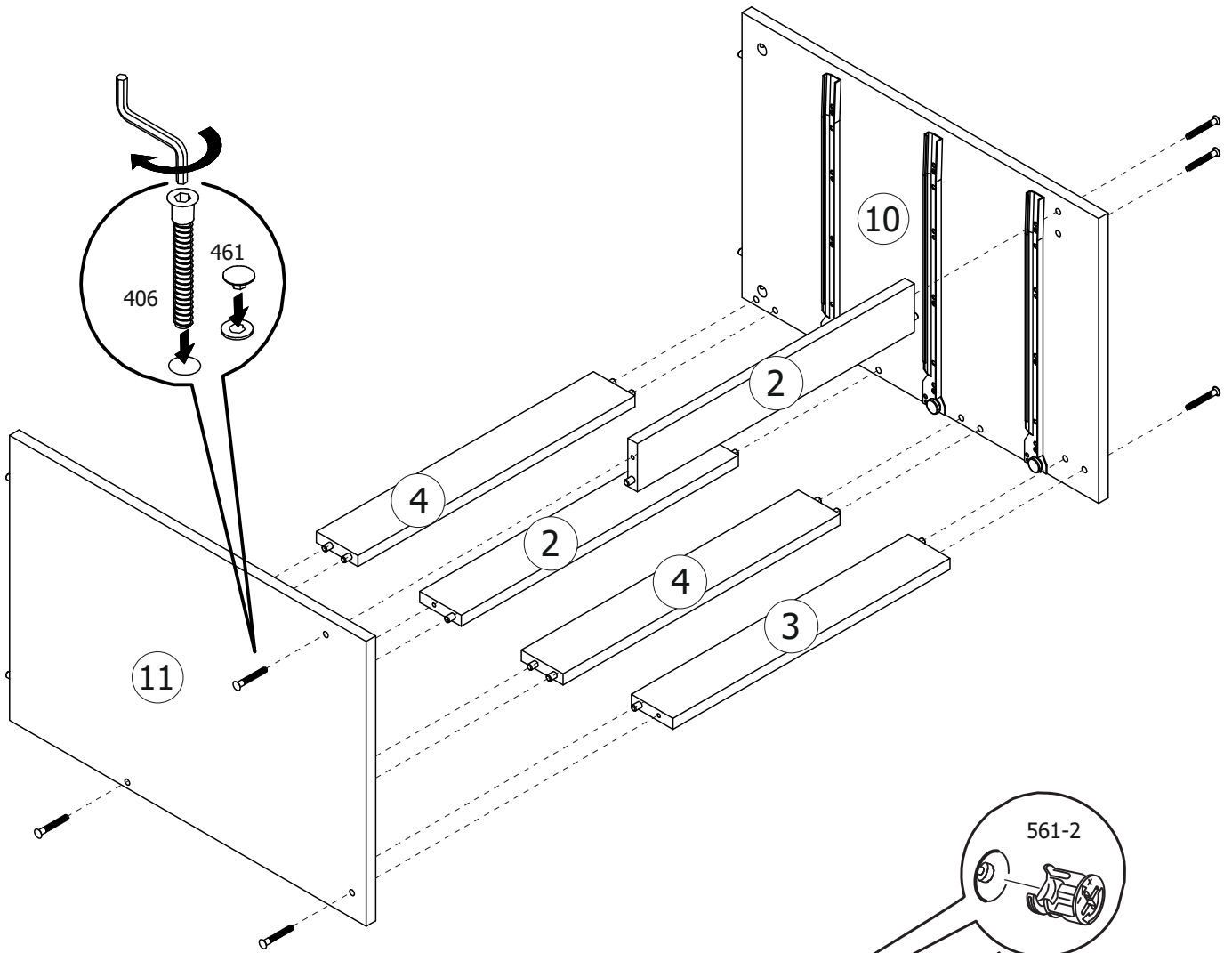


№	L	B	S	Q	☒
1	746	70	16	1	1/2
2	466	70	16	2	1/2
3	466	70	16	1	1/2
4	466	70	16	2	1/2
5	820	440	16	1	1/2
6	500	440	16	1	1/2
7	780	660	20	1	2/2
8	770	438	16	1	1/2
9	786	154	16	1	1/2
10	600	415	16	1	1/2
11	600	415	16	1	1/2
12	659	70	16	1	1/2
13	659	70	16	1	1/2
14	154	438	16	1	1/2
15	782	148	16	1	1/2
16	729	94	16	1	1/2
17	400	94	16	1	1/2
18	400	94	16	1	1/2
19	759	404	3	1	1/2
20	496	131	16	3	1/2
21	410	74	16	3	1/2
22	400	74	16	3	1/2
23	400	74	16	3	1/2
24	440	404	3	3	1/2
25	555	496	3	1	1/2

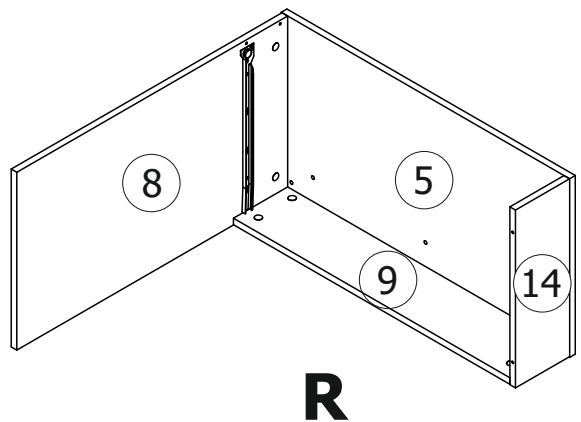
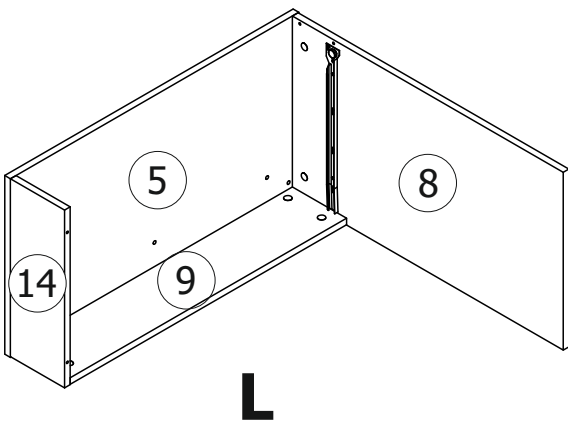
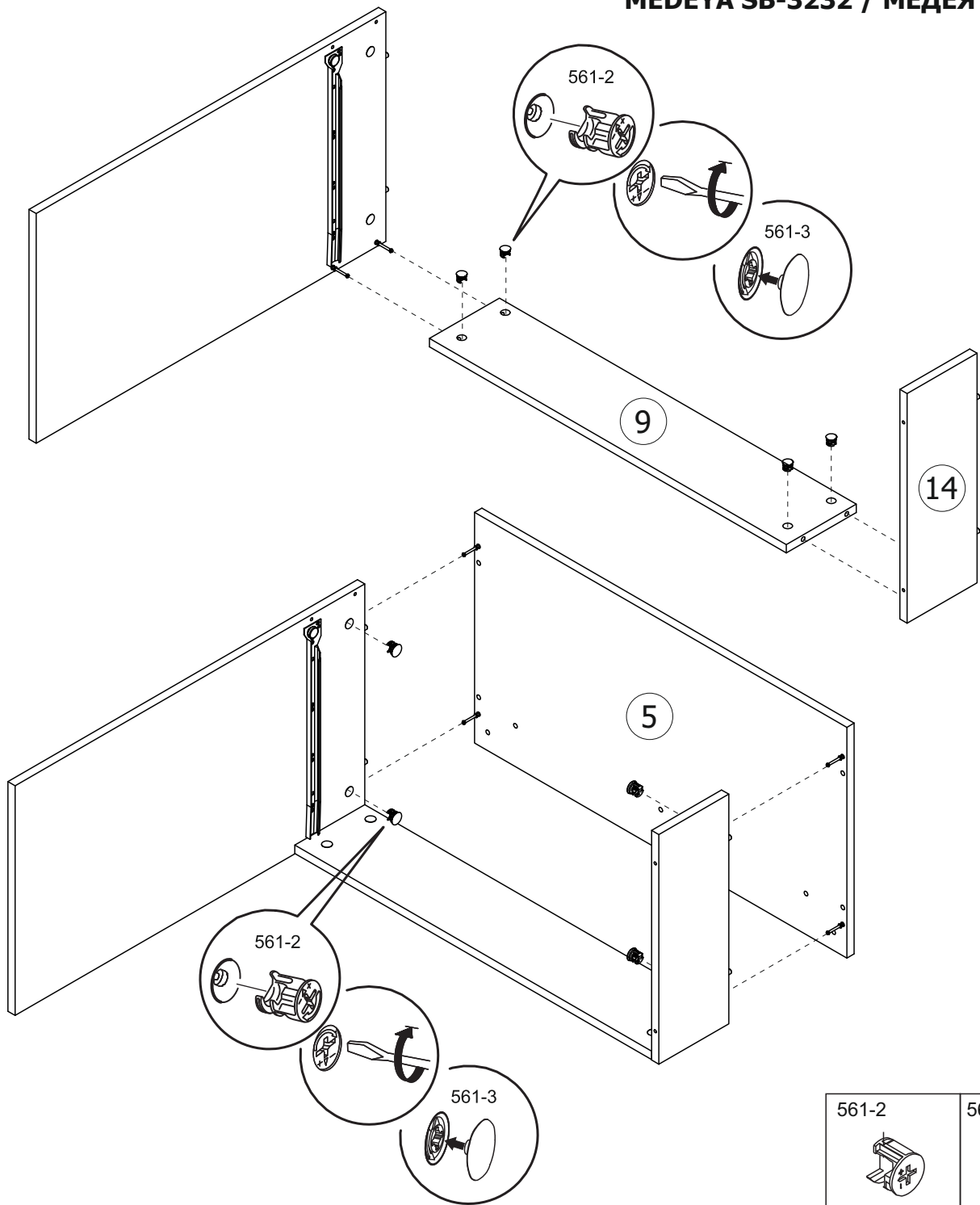


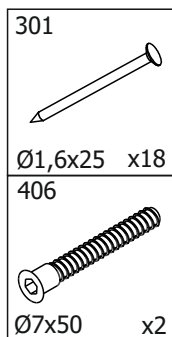
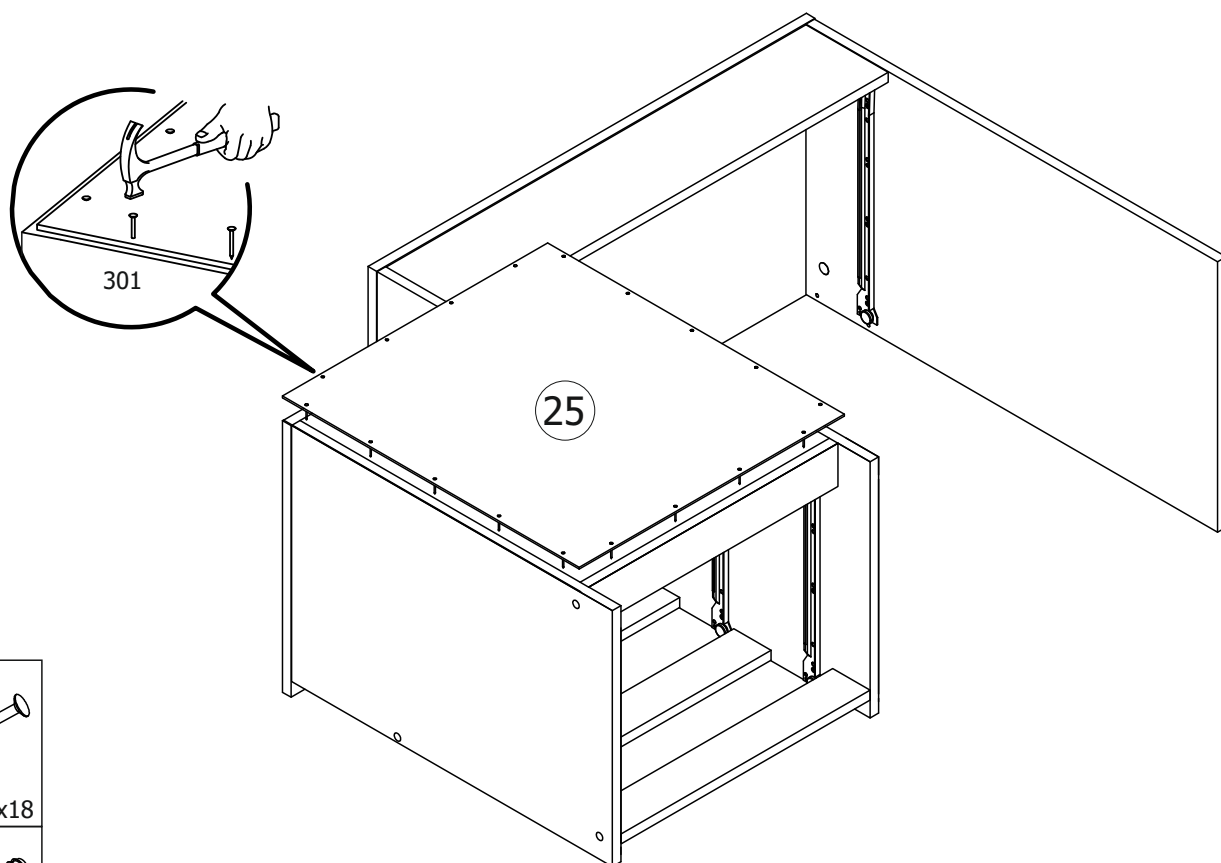
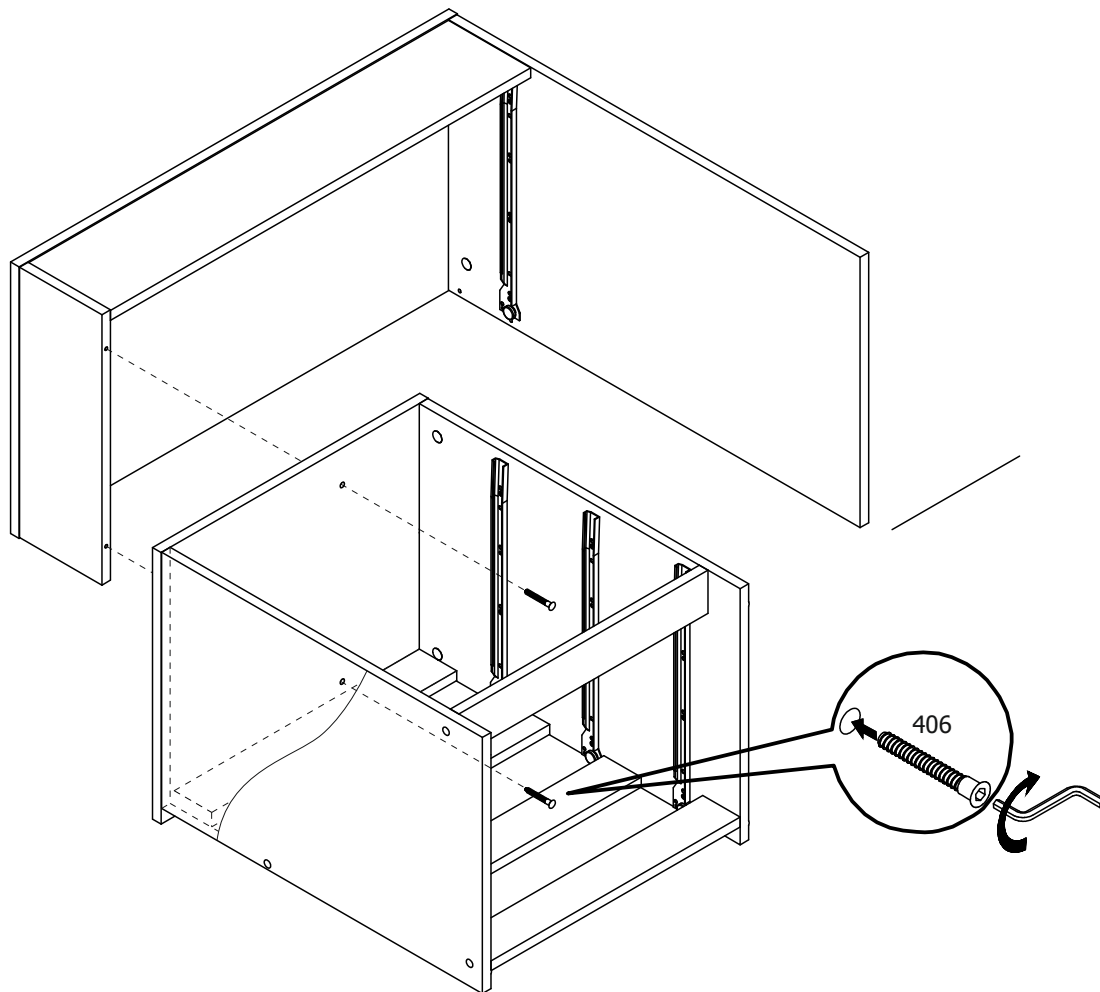


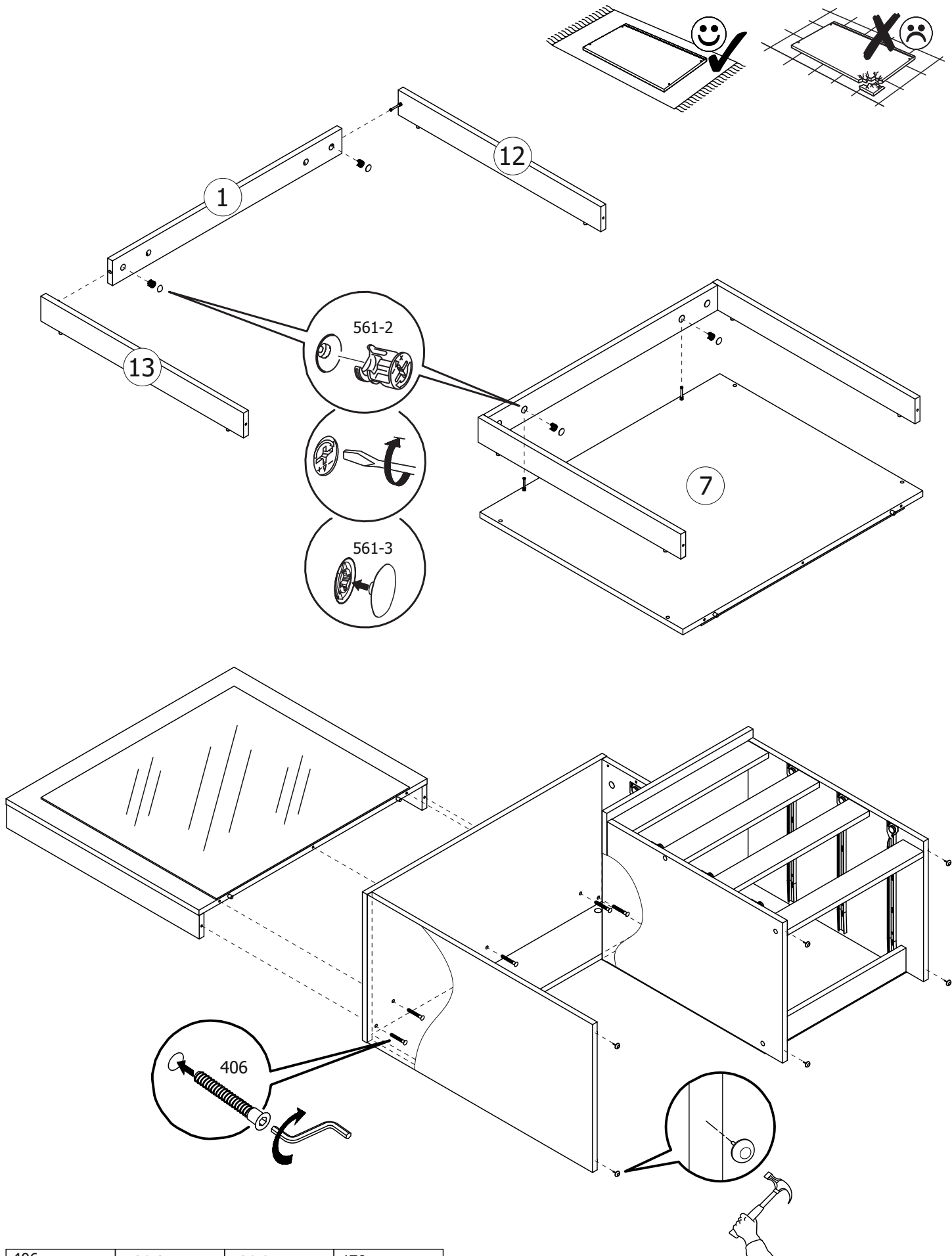
<p>561-1 Ø7x45 x24</p>	<p>410 Ø8x30 x48</p>	<p>408 L=400 x4</p>	<p>202 Ø4x13 x24</p>
----------------------------	--------------------------	-------------------------	--------------------------




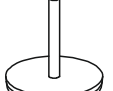


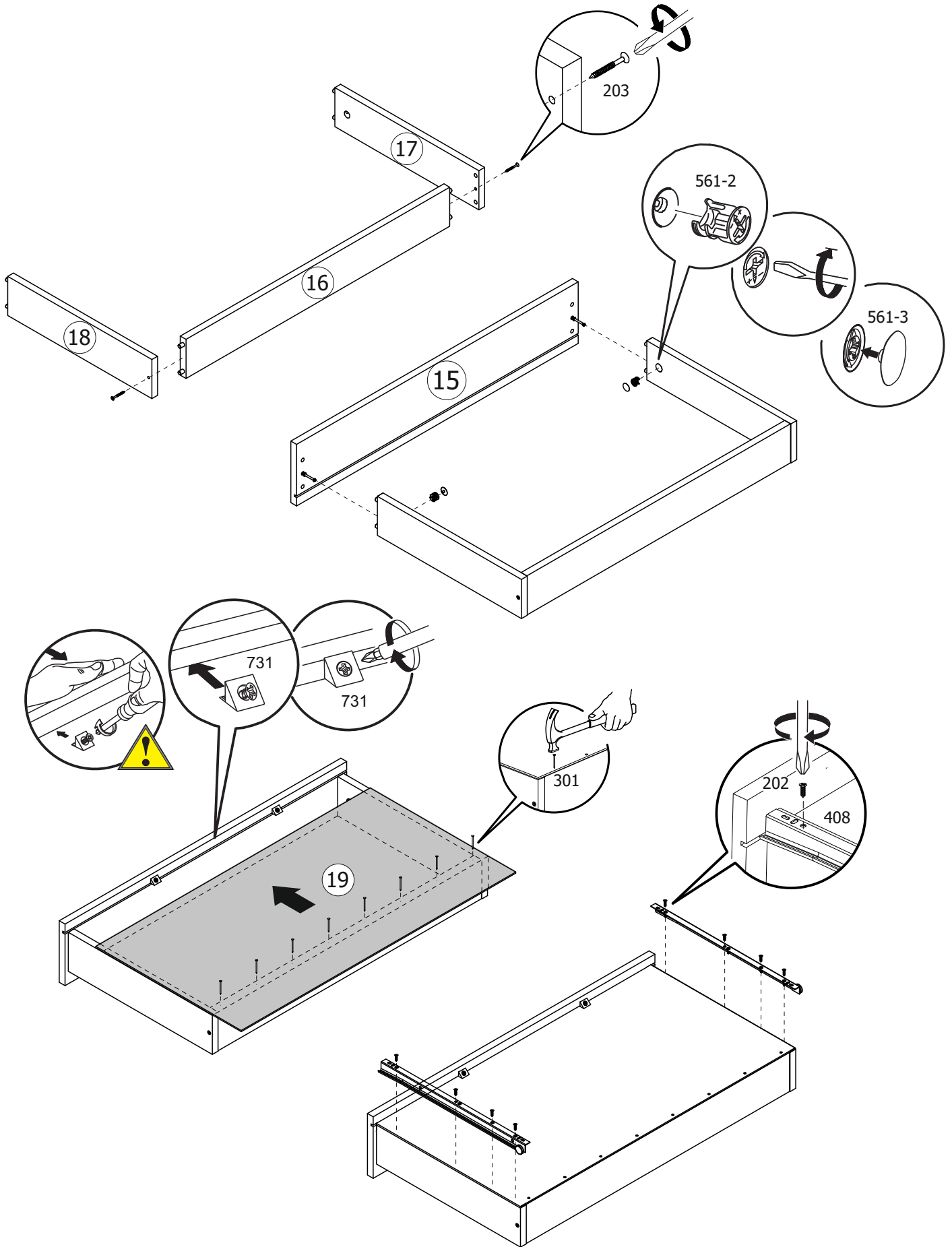
406		
Ø7x50		x6
461		
		x6
561-2		
Ø15x12		x4
561-3		
Ø18		x4

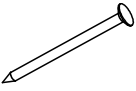


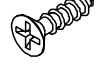
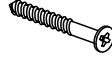

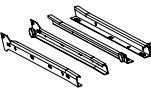


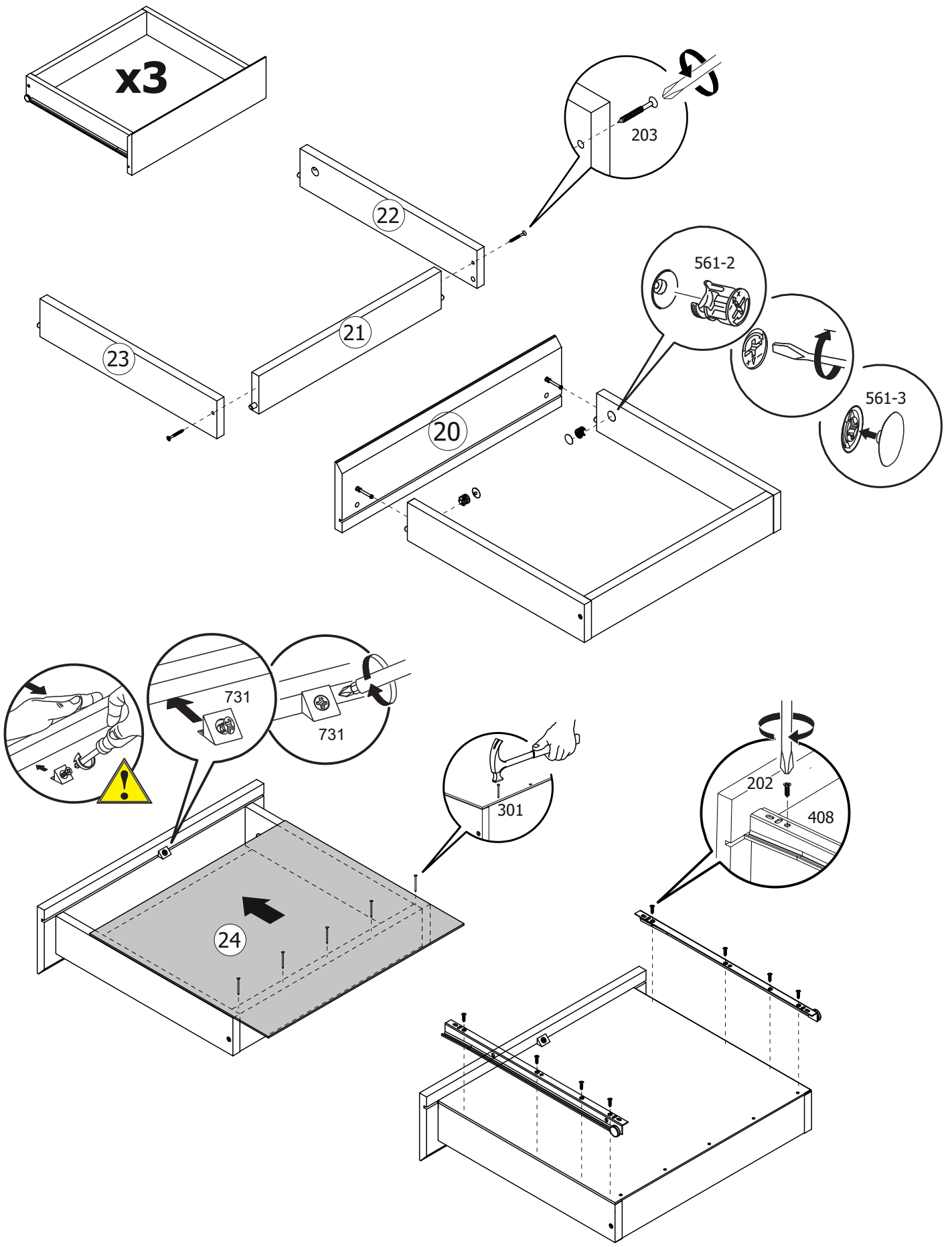


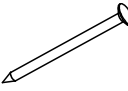


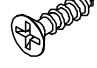
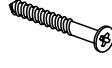

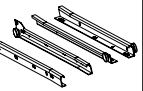


<p>406</p>  <p>Ø7x50 x5</p>	<p>561-2</p>  <p>Ø15x12 x4</p>	<p>561-3</p>  <p>Ø18 x4</p>	<p>470</p>  <p>x6</p>
---	---	--	--



<p>301</p>  <p>Ø1,6x25 x8</p>	<p>561-2</p>  <p>Ø15x12 x2</p>	<p>561-3</p>  <p>Ø18 x2</p>	<p>202</p>  <p>Ø4x13 x8</p>	<p>203</p>  <p>Ø4x35 x2</p>	<p>731</p>  <p>x2</p>	<p>408</p>  <p>L=400 x1</p>
---	---	--	--	--	---	--



<p>301</p>  <p>Ø1,6x25 x15</p>	<p>561-2</p>  <p>Ø15x12 x6</p>	<p>561-3</p>  <p>Ø18 x6</p>	<p>202</p>  <p>Ø4x13 24</p>	<p>203</p>  <p>Ø4x35 x6</p>	<p>731</p>  <p>x3</p>	<p>408</p>  <p>L=400 x3</p>
--	---	--	--	--	---	--

